

# 010-151<sup>Q&As</sup>

Supporting Cisco Data Center System Devices

## Pass Cisco 010-151 Exam with 100% Guarantee

Free Download Real Questions & Answers **PDF** and **VCE** file from:

<https://www.pass2lead.com/010-151.html>

100% Passing Guarantee  
100% Money Back Assurance

Following Questions and Answers are all new published by Cisco  
Official Exam Center

- ⚙️ **Instant Download** After Purchase
- ⚙️ **100% Money Back** Guarantee
- ⚙️ **365 Days** Free Update
- ⚙️ **800,000+** Satisfied Customers



**QUESTION 1**

Which method is a TCP/IP-based protocol for establishing and managing connections between IP-based storage devices, hosts, and clients?

- A. FCIP
- B. iFCP
- C. iSCSI
- D. FCoE

Correct Answer: C

---

**QUESTION 2**

During the auto-sync firmware upgrade process, what should be your initial input entered once the Fabric Interconnect boots up?

- A. console
- B. gui
- C. upgrade firmware
- D. auto-sync

Correct Answer: A

---

**QUESTION 3**

Which device provides analysis of Fibre Channel traffic without any network disruption?

- A. Cisco MDS 9000 Data Analyzer Adapter
- B. Cisco MDS 9000 Port Analyzer Adapter
- C. Cisco MDS 9000 Channel Analyzer Device
- D. Cisco MDS 9000 Channel Analyzer Adapter

Correct Answer: B

---

**QUESTION 4**

Which two statements about Cisco UCS 6454 Fabric Interconnect are true? (Choose two.)

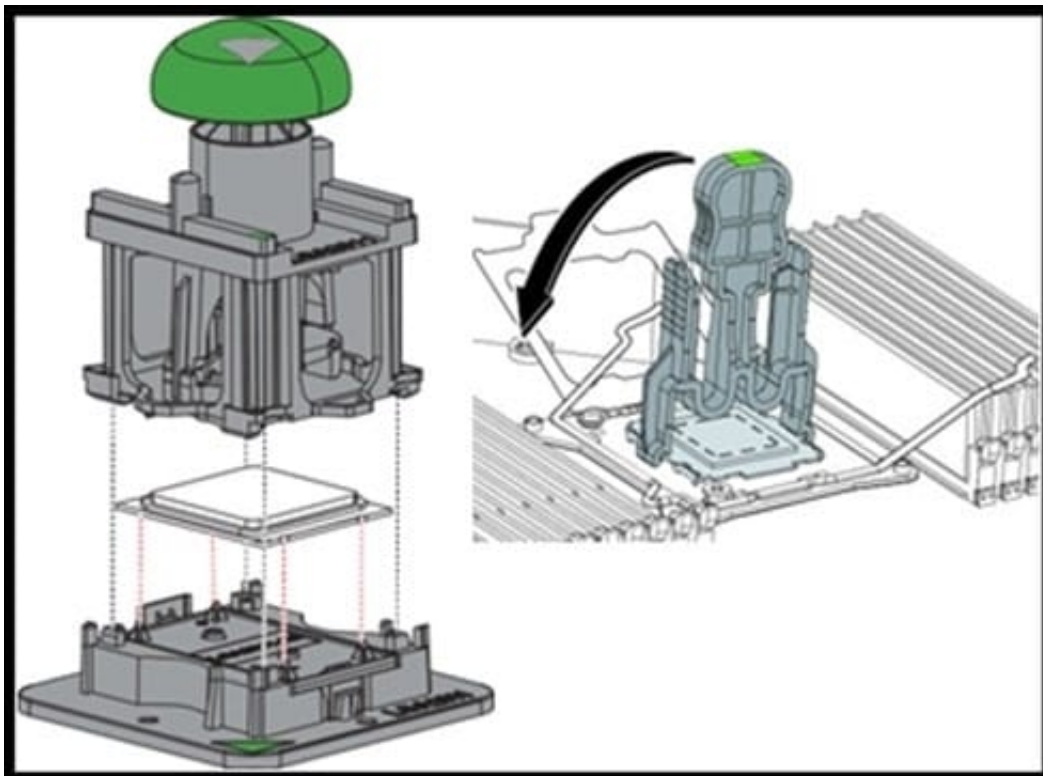
- A. 1-RU 10/25/40/100/200/400 Gigabit Ethernet, FCoE, and Fibre Channel switch offers up to 32 ports.
- B. It hosts and runs Cisco Integrated Management Controller (CIMC).
- C. All Ethernet ports can support FCoE.
- D. Provides the management and communication backbone for the Cisco UCS 5108 Server Chassis and Cisco UCS B-Series Blade Servers only.
- E. Provides both the LAN and SAN connectivity for all servers within its domain.

Correct Answer: CE

Reference: <https://www.cdw.com/product/cisco-ucs-6454-fabric-interconnect-switch-54-ports-managed-rack-mou/5400879>

**QUESTION 5**

Refer to the exhibit.



This image shows a CPU Pick-and-Place tool and a CPU Socket Protective Cap Removal tool. Which types of Cisco UCS servers and Intel Xeon processors do these tools support?

- A. Cisco UCS B22 Blade Server, C22 Rack Server, and C24 Rack Server with Intel Xeon E5-2400 Series processors

- B. Cisco UCS B22 Blade Server, C22 Rack Server, and C24 Rack Sever with Intel Xeon E5-2600 Series processors
- C. Cisco UCS B200 M3 Blade Server, B420 M3 Blade Server, C220 Rack Server, C240 Rack Sever, and C420 Rack Sever with Intel Xeon E5-2400 Series processors
- D. Cisco UCS B200 M3 Blade Server, B420 M3 Blade Server, C220 Rack Server, C240 Rack Sever, and C420 Rack Sever with Intel Xeon E5-2600 Series processors

Correct Answer: D

[Latest 010-151 Dumps](#)

[010-151 Study Guide](#)

[010-151 Braindumps](#)