

# 1Y0-402<sup>Q&As</sup>

Citrix XenApp and XenDesktop 7.15 Assessment, Design and Advanced Configurations

## Pass Citrix 1Y0-402 Exam with 100% Guarantee

Free Download Real Questions & Answers **PDF** and **VCE** file from:

<https://www.pass2lead.com/1y0-402.html>

100% Passing Guarantee  
100% Money Back Assurance

Following Questions and Answers are all new published by Citrix Official Exam Center

- ⚙️ **Instant Download** After Purchase
- ⚙️ **100% Money Back** Guarantee
- ⚙️ **365 Days** Free Update
- ⚙️ **800,000+** Satisfied Customers



**QUESTION 1**

Scenario: A Citrix Architect is designing a XenDesktop environment. The Engineer group uses graphical applications which require the use of AMD hardware shared virtualized GPU. Which two hypervisors can the architect select? (Choose two.)

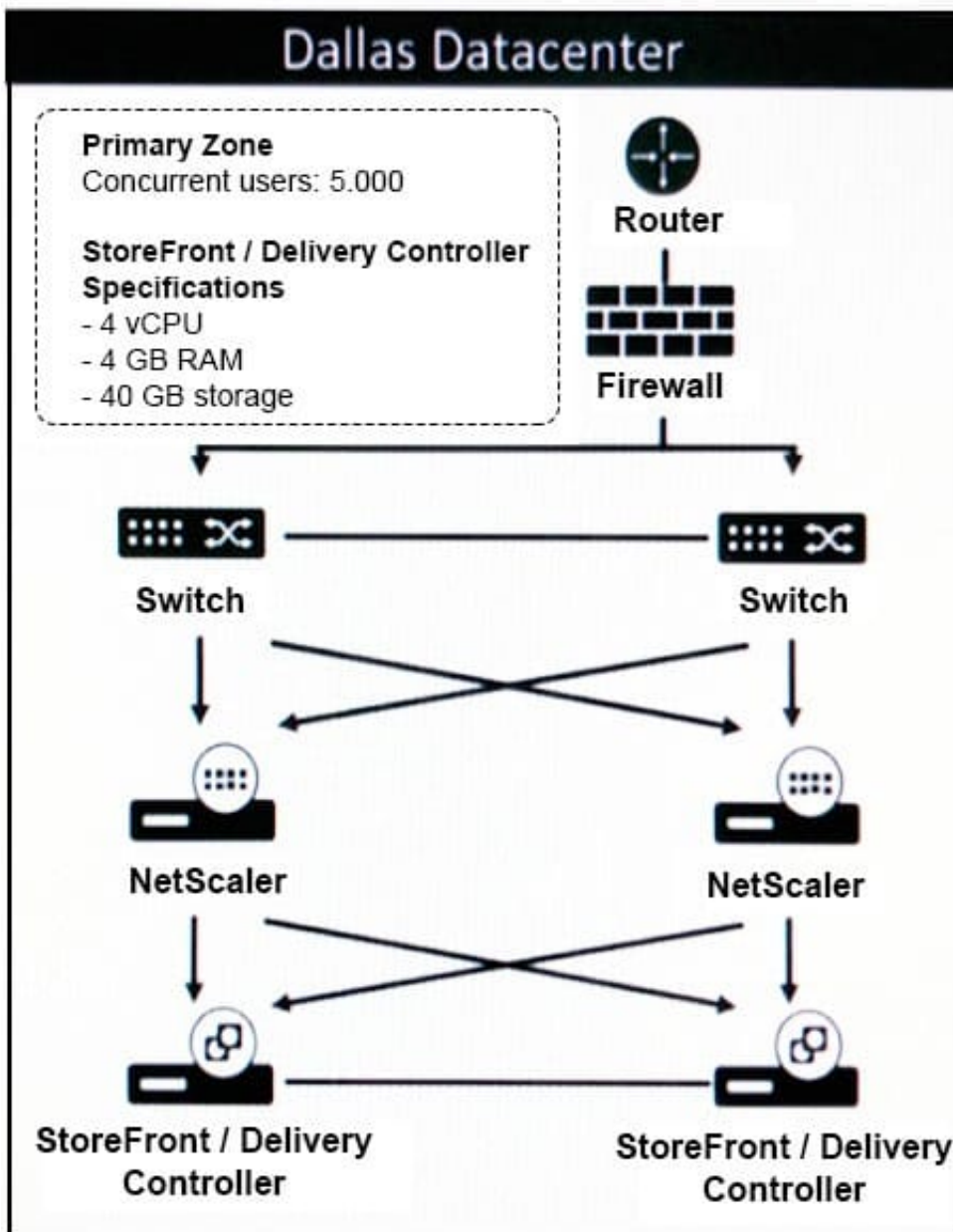
- A. XenServer 6.5
- B. VMware vSphere 5.5
- C. XenServer 7.0
- D. VMware vSphere 6.0
- E. Microsoft Hyper-V Server 2012 R2

Correct Answer: AC

---

**QUESTION 2**

Scenario: A Citrix Architect needs to design a single-Site XenApp and XenDesktop environment. Through earlier design discussions, the architect has determined the environment details listed in the Exhibit.



What should the architect change in the current environment to align with Citrix leading practices?

- A. A Delivery Controller should be removed from the Site.
- B. The Delivery Controller and StoreFront roles should NOT be co-located on the same server.
- C. The existing Delivery Controllers should be allocated with an additional 2 GB of RAM each.
- D. A Delivery Controller should be added to the Site.
- E. The existing Delivery Controllers should be allocated with an additional CPU each.

Correct Answer: D

**QUESTION 3**

Scenario: A Citrix Architect is designing a new XenApp and XenDesktop environment and needs to determine which endpoints to include. Based on discussions with various departments, the user requirements listed in the Exhibit were collected.

Click the Exhibit button to view the requirements.

User Group	Typical Location	High Security User Group?	FlexCast Model Used	Peripheral Requirements	User Mobility	User Workload
Finance	Internal	Yes	Published apps	None	None	Low
Product Development	Internal	Yes	Static, persistent hosted desktop	USB Printers	None	High
Sales	Roaming	No	Published apps and desktops	USB Printers, Projectors	High	Medium

In addition to the user requirements, the architect has identified the following organizational requirements:

Minimize total cost of ownership (TCO) Minimize maintenance costs

Which endpoint type should the architect use for the Product Development group, based on the requirements?

- A. BYOD laptop/notebook
- B. Corporate-owned high-performance workstation
- C. Corporate-owned standard desktop
- D. Corporate-owned laptop/notebook
- E. Corporate-owned thin client

Correct Answer: E

**QUESTION 4**

Scenario: A Citrix Architect needs to design a disaster recovery (DR) XenApp and XenDesktop Site that will be hosted in Citrix Cloud and Microsoft Azure. The DR Site is expected to support 2,000 Desktop OS Virtual Delivery Agent (VDA) machines.

The architect should include \_\_\_\_\_ Cloud Connectors in the Azure resource location, each with a minimum of \_\_\_\_\_ vCPUs and \_\_\_\_\_ GB of RAM to avoid unnecessary over-provisioning of resources and follow Citrix leading practices. (Choose the correct option to complete the sentence.)

- A. 3; 2; 4
- B. 3; 4; 4

C. 3; 4; 8

D. 2; 4; 4

E. 1; 2; 4

F. 2; 4; 8

Correct Answer: F

---

#### QUESTION 5

Scenario: The IT team of a company needs to migrate to Microsoft Azure and has asked a Citrix Architect for a solution that offers protection from datacenter level failures.

What should the architect recommend the IT team create in Microsoft Azure?

A. Availability set with update domain

B. Availability set with fault domain

C. Resource group

D. Availability zones

Correct Answer: D

[Latest 1Y0-402 Dumps](#)

[1Y0-402 Practice Test](#)

[1Y0-402 Braindumps](#)