

# 1Z0-632<sup>Q&As</sup>

PeopleSoft PeopleTools 8.5x Implementation Essentials

## Pass Oracle 1Z0-632 Exam with 100% Guarantee

Free Download Real Questions & Answers **PDF** and **VCE** file from:

<https://www.pass2lead.com/1z0-632.html>

100% Passing Guarantee  
100% Money Back Assurance

Following Questions and Answers are all new published by Oracle  
Official Exam Center

- ⚙️ **Instant Download** After Purchase
- ⚙️ **100% Money Back** Guarantee
- ⚙️ **365 Days** Free Update
- ⚙️ **800,000+** Satisfied Customers



**QUESTION 1**

Which two PeopleCode excerpts contain syntax errors?

1	<pre>If All(PSU_CRS_SESSN.START_DATE, PSU_CRS_SESSN.END_DATE) And     PSU_CRS_SESSN.START_DATE &gt; PSU_CRS_SESSN.END_DATE Then     Error MsgGet(1040, 3, "Message Not Found.") End-If;</pre>
2	<pre>If PSU_EMP_RVW_RVR.REVIEW_TYPE = "E" Then     COMMENT Reviewer is an employee;     COMMENT Disable REVIEWER_ID;     PSU_EMP_RVW_RVR.REVIEWER_ID.Value = PSU_EMP_RVW_RVR.EMPLID;     PSU_EMP_RVW_RVR.REVIEWER_ID.Enabled = False; End-If;</pre>
3	<pre>Local Message &amp;request, &amp;response; Local Row &amp;Row; Local Rowset &amp;Rowset;</pre>
4	<pre>Local Field &amp;Crstype;  &amp;Crstype = GetField(PSU_COURSE_TBL.COURSE_TYPE); &amp;Crstype.Value = "T"; &amp;Crstype.Enabled = False;</pre>
5	<pre>&amp;OLD_PRICE &gt; &amp;TOTAL_PRICE; &amp;TOTAL_PRICE = &amp;QTY_ORDERED * &amp;PRICE; &amp;GRAND_TOTAL = &amp;GRAND_TOTAL + &amp;TOTAL_PRICE - &amp;OLD_PRICE;</pre>

- A. 2
- B. 4
- C. 5
- D. 1
- E. 3

Correct Answer: CE

**QUESTION 2**

At what occurs level is the Reviewer Details scroll area?

Empl ID 00001 Aguilar, Cornelia

Personal Details

Review Details Find | View all First 1 of 3 Last

Review for Year 2007

Reviewer Details Find | View all First 1 of 2 Last

Review Type Employee SelfAssessment

Reviewer ID 00001 Aguilar, Cornelia

Review Factors Personalize | Find | First 1 of 1 Last

*review Factor	Description	Factor Weight (%)	*Rating
1		25.0	Too new to rate

- A. 1
- B. 3
- C. 2
- D. 4
- E. 0

Correct Answer: A

Reference: [https://docs.oracle.com/cd/E25688\\_01/pt852pbr0/eng/psbooks/tapd/htm/tapd14.htm](https://docs.oracle.com/cd/E25688_01/pt852pbr0/eng/psbooks/tapd/htm/tapd14.htm)

**QUESTION 3**

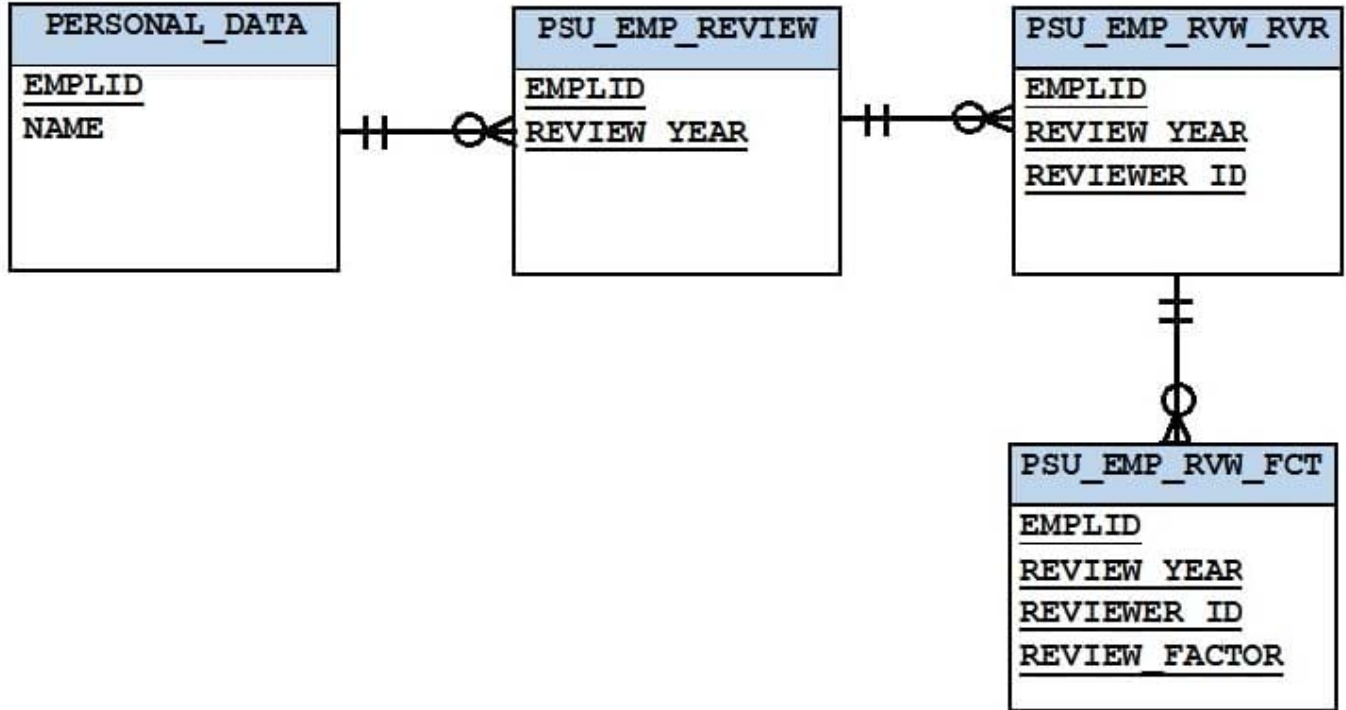
Identify three true statements describing PeopleTools tables. (Choose three.)

- A. PeopleTools tables can be updated equally using PeopleTools, such as Application Designer, or the SQL editing tool for your database platform
- B. PeopleTools tables use the naming convention of having the prefix PD\*, as in PSRECDEFN
- C. PeopleTools tables store metadata that defines the elements of a PeopleSoft application
- D. PeopleTools tables contain the same content, regardless of the PeopleSoft application installed on the database
- E. PeopleTools tables have a consistent structure, regardless of the PeopleSoft application installed on the database
- F. PeopleTools tables are empty until the implementation team has loaded the application's transactional data

Correct Answer: ABC

**QUESTION 4**

If you were to create a page displaying information from each of the tables listed in the exhibit, at what occurs level would the fields of the PSU\_EMP\_RVW\_FCT table be on?



- A. 3
- B. 2
- C. 1
- D. 4
- E. 0

Correct Answer: D

**QUESTION 5**

When you are modifying, customizing, or configuring PeopleSoft application definitions using Application Designer, which two statements are true regarding the impact on other application elements? (Choose two.)

- A. Running an alter table process in Application Designer is required only during major upgrades, not after small changes to a single record definition
- B. PeopleTools provides utilities to help you determine relationships between application definitions, such as PeopleTools cross-reference reports and the Find Definition References option
- C. If you modify field definition properties or record definition properties, the PeopleTools system insanity and automatically synchronizes the definition changes with the underlying SQL database table

D. Changing a single field property, such as the field name or type, typically has no effect on other definitions such as records or pages

E. If you alter a table, you must rebuild any views that reference the altered table

Correct Answer: BE

[1Z0-632 PDF Dumps](#)

[1Z0-632 Practice Test](#)

[1Z0-632 Exam Questions](#)