



# 200-601<sup>Q&As</sup>

Managing Industrial Networks for Manufacturing with Cisco Technologies

## Pass Cisco 200-601 Exam with 100% Guarantee

Free Download Real Questions & Answers **PDF** and **VCE** file from:

<https://www.pass4lead.com/200-601.html>

100% Passing Guarantee  
100% Money Back Assurance

Following Questions and Answers are all new published by Cisco Official Exam Center

-  **Instant Download** After Purchase
-  **100% Money Back** Guarantee
-  **365 Days** Free Update
-  **800,000+** Satisfied Customers





### QUESTION 1

A ProfiNET management system operator is unable to add a ProfiNET Conformance Class B device to a SIMATIC management station. The device is connected to interface FastEthernet1/3. Based on the provided CLI output, which statement is correct?

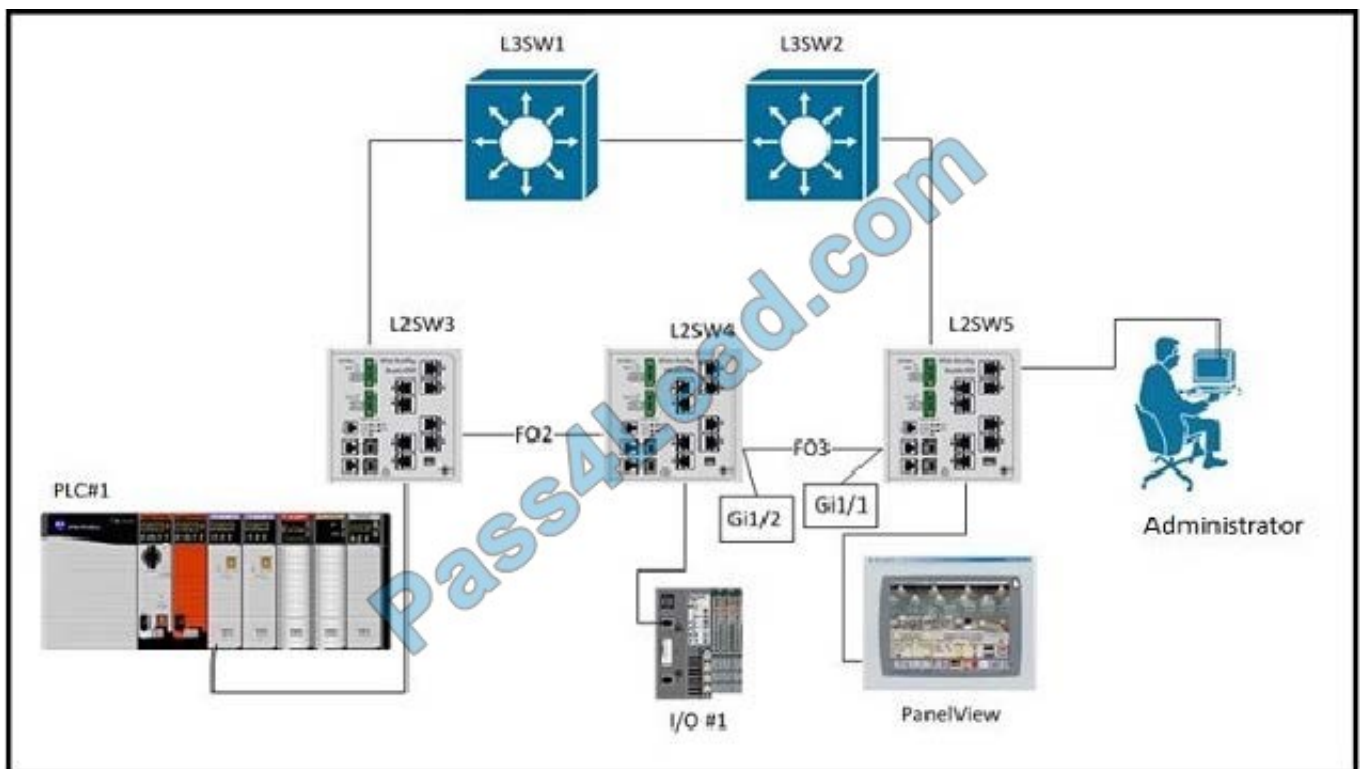
```
switch#show profinet lldp Fa1/1 port-003-00000 On Fa1/2 port-004-00000 On Fa1/3 port-005-00000 Off Fa1/4  
port-006-00000 Off Fa1/5 port-007-00000 On Fa1/6 port-008-00000 Off Fa1/7 port-009-00000 On Fa1/8 port-010-00000  
Off
```

- A. LLDP has been disabled on this switch
- B. The connected device is not sending LLDP packets with ProfiNET extensions
- C. The port label needs to be changed on interface FastEthernet 1/3 to "port-003-00000"
- D. ProfiNET is disabled on this switch

Correct Answer: B

### QUESTION 2

Refer to the exhibit.



L3SW1 has a spanning-tree priority of 8192 set on VLANs 1, 300, and 301, and these VLANs are configured on and trunked between all switches. Executing the command show spanning-tree blockedports on L2SW5 results in:



L2SW5# show spanning-tree blockedports

Name Blocked Interfaces List

VLAN0001 Gi1/1

VLAN0300 Gi1/1

VLAN0301 Gi1/1

An additional VLAN, VLAN302, is defined on all switches and trunked between them. VLAN302 access ports are set up on each of the switches and PLC#1, I/O#1, and the PanelView are attached. You expect the new VLAN to be listed as

blocked on interface GigabitEthernet1/1 of L2SW5 but it is not. The three new devices are able to communicate with each other.

After executing the same command on all switches you see this output on L2SW4:

L2SW4# show spanning-tree blockedports

Name Blocked Interfaces List

VLAN0001 Gi1/2 VLAN0300 Gi1/2 VLAN0301 Gi1/2

Why is VLAN302 forwarding on L2SW5 interface GigabitEthernet 1/1 and L2SW4 interface GigabitEthernet 1/1 and 1/2?

- A. VLAN302 is not configured in the VLAN database on L2SW5
- B. VLAN302 is not in the allowed list on the L2SW5 interface GigabitEthernet1/1 trunk
- C. L2SW4 is the spanning tree root for VLAN 302
- D. The FO3 fiber-optic cable between L2SW4 and L2SW5 is damaged

Correct Answer: C

---

### QUESTION 3

Which of the following correctly pairs the dotted decimal subnet mask with the correct number of binary bits that represent the subnet mask?

- A. 255.255.255.192 and /25
- B. 255.255.255.248 and /28
- C. 255.255.255.224 and /26
- D. 255.255.255.248 and /27
- E. 255.255.255.240 and /28
- F. 255.255.255.240 and /16



Correct Answer: E

---

#### QUESTION 4

Which statement is correct regarding Media Redundancy Protocol (MRP) in a ring of ProfiNET devices?

- A. When a link fault is detected, MRP rings must converge in less than 100 milliseconds
- B. MRP defines two device roles, Media Redundancy Master and Media Redundancy Client
- C. MRP can support rings of up to 250 devices
- D. MRP is only supported on network switches

Correct Answer: B

---

#### QUESTION 5

Which statement is correct regarding ProfiNET communication classes?

- A. ProfiNET-RT traffic is carried in UDP and TCP packets
- B. ProfiNET-NRT is used to carry time critical status information
- C. ProfiNET-IRT requires switches with hardware time scheduling capabilities
- D. ProfiNET-NRT is prioritized as Layer-2 Class-of-Service 1 (CoS 1)

Correct Answer: C

[Latest 200-601 Dumps](#)

[200-601 VCE Dumps](#)

[200-601 Braindumps](#)



To Read the [Whole Q&As](#), please purchase the [Complete Version](#) from [Our website](#).

## Try our product !

100% Guaranteed Success

100% Money Back Guarantee

365 Days Free Update

Instant Download After Purchase

24x7 Customer Support

Average 99.9% Success Rate

More than 800,000 Satisfied Customers Worldwide

Multi-Platform capabilities - [Windows](#), [Mac](#), [Android](#), [iPhone](#), [iPod](#), [iPad](#), [Kindle](#)

We provide exam PDF and VCE of Cisco, Microsoft, IBM, CompTIA, Oracle and other IT Certifications. You can view Vendor list of All Certification Exams offered:

<https://www.pass4lead.com/allproducts>

## Need Help

Please provide as much detail as possible so we can best assist you.

To update a previously submitted ticket:



 <p><b>One Year Free Update</b> Free update is available within One Year after your purchase. After One Year, you will get 50% discounts for updating. And we are proud to boast a 24/7 efficient Customer Support system via Email.</p>	 <p><b>Money Back Guarantee</b> To ensure that you are spending on quality products, we provide 100% money back guarantee for 30 days from the date of purchase.</p>	 <p><b>Security &amp; Privacy</b> We respect customer privacy. We use McAfee's security service to provide you with utmost security for your personal information &amp; peace of mind.</p>
---	---	--

Any charges made through this site will appear as Global Simulators Limited.

All trademarks are the property of their respective owners.

Copyright © pass4lead, All Rights Reserved.