

# 2V0-751<sup>Q&As</sup>

VMware Certified Professional 7 - Desktop and Mobility Exam

## Pass VMware 2V0-751 Exam with 100% Guarantee

Free Download Real Questions & Answers **PDF** and **VCE** file from:

<https://www.pass2lead.com/2v0-751.html>

100% Passing Guarantee  
100% Money Back Assurance

Following Questions and Answers are all new published by VMware  
Official Exam Center

- ⚙️ **Instant Download** After Purchase
- ⚙️ **100% Money Back** Guarantee
- ⚙️ **365 Days** Free Update
- ⚙️ **800,000+** Satisfied Customers



**QUESTION 1**

When configuring VMware Identity Manager with an AirWatch instance, which feature must be enabled to allow end users to see all apps that they are entitled to, from both VMware Identity Manager and AirWatch?

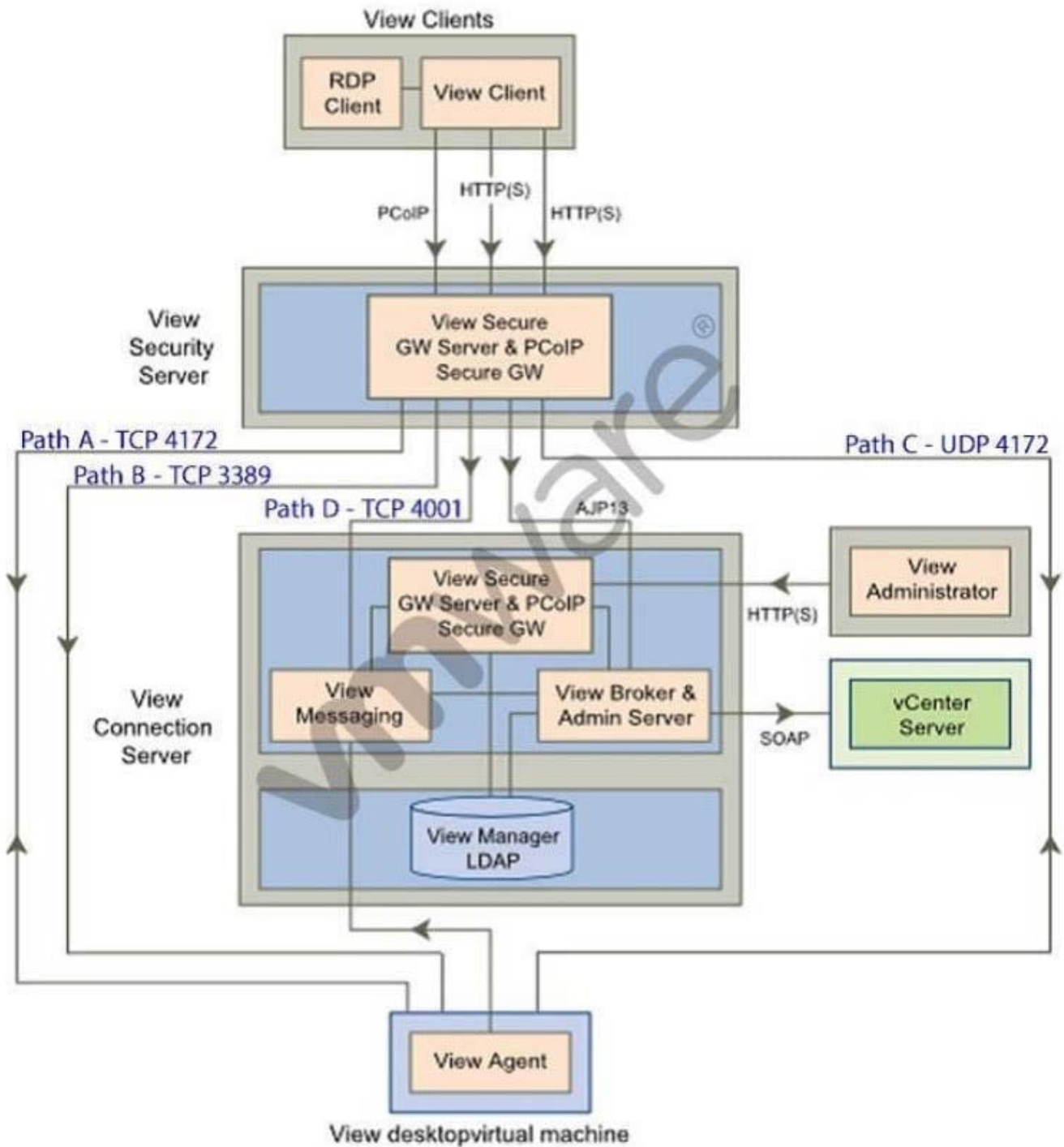
- A. Unified Catalog
- B. AirWatch App Catalog Sync
- C. Mobile Application Catalog
- D. VMware Identity Manager Catalog

Correct Answer: A

---

**QUESTION 2**

Refer to the Exhibit. Based on the exhibit, which two paths are used for PCoIP traffic? (Choose two.)



- A. Path A
- B. Path B
- C. Path C
- D. Path D

Correct Answer: AC

### QUESTION 3

What are two valid Directory sync intervals in Identity Manager 2.x? (Choose two.)

- A. Once per month
- B. Once per week
- C. Every hour
- D. Every minute

Correct Answer: BC

---

### QUESTION 4

To use PCoIP with a physical machine, what must be installed on the machine?

- A. Nvidia K2 Grid card
- B. Teradici hardware card
- C. Unidesk agent software
- D. Wireless network card

Correct Answer: B

---

### QUESTION 5

An Administrator has started a push-image operation at the start of the work day while clone creation is in progress. The security team has discovered an issue with the new image being pushed out. It has been requested to cancel the push-image operation immediately; however, clones that have the new image remain in the pool and the pool now has a mix of clones.

What must the administrator do to ensure that all the clones in the pool have the same image?

- A. Notify all users to log out of their current session and log back in.
- B. Stop the push image operation and recompose the image.
- C. Remove all the clones. View recreates the clones with the same image.
- D. Click Start > Run, type services.msc, and click OK. From the list of services, right-click the VMware View Connection Server or VMware View Security Server service and select Restart.

Correct Answer: C