



300-075^{Q&As}

Implementing Cisco IP Telephony and Video

Pass Cisco 300-075 Exam with 100% Guarantee

Free Download Real Questions & Answers **PDF** and **VCE** file from:

<https://www.pass4lead.com/300-075.html>

100% Passing Guarantee
100% Money Back Assurance

Following Questions and Answers are all new published by Cisco
Official Exam Center

-  **Instant Download** After Purchase
-  **100% Money Back** Guarantee
-  **365 Days** Free Update
-  **800,000+** Satisfied Customers





QUESTION 1

Which two features require or may require configuring a SIP trunk? (Choose two.)

- A. SIP gateway
- B. Call Control Discovery between a Cisco Unified Communications Manager and Cisco Unified Communications Manager Express
- C. Cisco Device Mobility
- D. Cisco Unified Mobility
- E. registering a SIP phone

Correct Answer: AB

All protocols require that either a signaling interface (trunk) or a gateway be created to accept and originate calls. Device mobility allows Cisco Unified Communications Manager to determine whether the phone is at its home location or at a roaming location. Cisco Unified Mobility gives users the ability to redirect incoming IP calls from Cisco Unified Communications Manager to different designated phones, such as cellular phones.

QUESTION 2

When an incoming PSTN call arrives at an H.323 gateway, how does the calling number get normalized to a global E.164 number with + prefix in Cisco Unified Communications Manager?

- A. Normalization is done using translation patterns.
- B. Normalization is done using route patterns.
- C. Normalization is done using the gateway incoming called party prefixes based on number type.
- D. Normalization is done using the gateway incoming calling party prefixes based on number type.
- E. Normalization is achieved by local route group that is assigned to the H.323 gateway.

Correct Answer: D

QUESTION 3

When configuring Cisco Unified Mobility, which parameter defines the access control for a call that reaches out to a remote destination?

- A. Calling Party Transformation Calling Search Space under Remote Destination Profile Information
- B. User Local under Remote Destination Profile Information
- C. Rerouting Calling Search Space under Remote Destination Profile Information
- D. Rerouting Calling Search Space under Remote Destination information



E. Calling Search Space under Phone Configuration

Correct Answer: C

QUESTION 4

Scenario:

There are two call control systems in this item.

The Cisco UCM is controlling the DX650, the Cisco Jabber for Windows Client, and the 7965 and 9971 Video IP Phones.

The Cisco VCS and TMS control the Cisco TelePresence Conductor, the Cisco TelePresence MCU, and the Cisco Jabber TelePresence for Windows.

DNS Server:

```

ip dns server
ip host _cisco-uds._tcp.hq.cisco.com srv 1 1 8443 10.1.5.15
ip host _cisco-uds._tcp.hq.cisco.com srv 1 1 8443 10.1.5.16
ip host pub10x-hq.collab10x.cisco.com 10.1.5.15
ip host sub10x-hq.collab10x.cisco.com 10.1.5.16
ip host pub10x-hq.hq.collab10x.cisco.com 10.1.5.15
ip host sub10x-hq.hq.collab10x.cisco.com 10.1.5.16
ip host hq.cisco.com 10.1.5.1
  
```

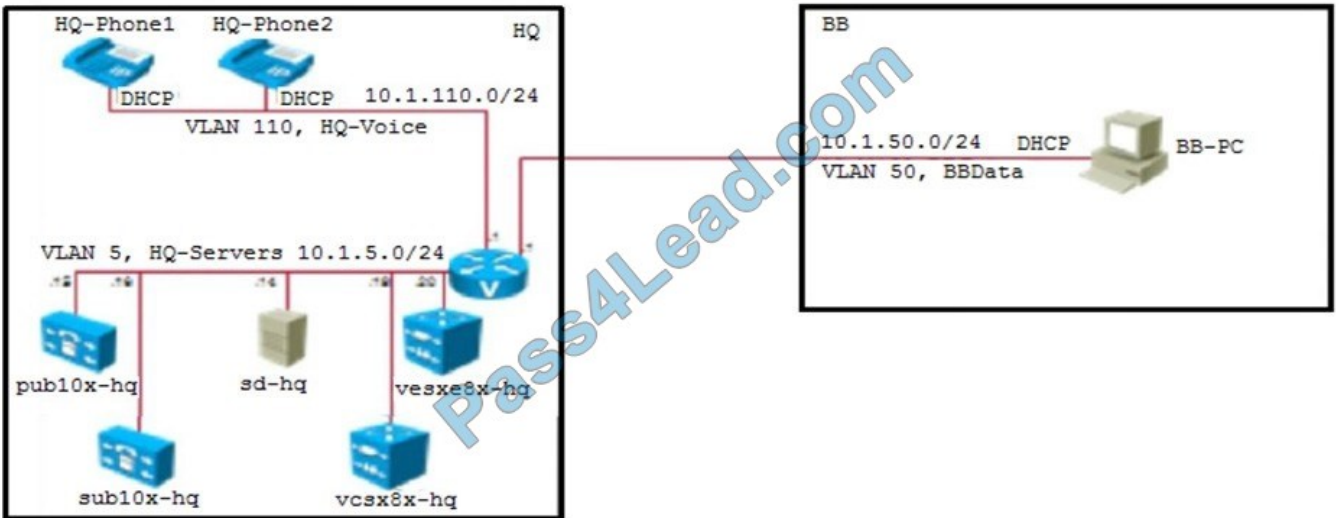
Device Pool:

DP				
Status				
3 records found				
Device Pool (1-3 of 3)				
Find Device Pool where Device Pool Name begins with Find Clear Filter + -				
<input type="checkbox"/>	Name ^	Cisco Unified CM Group	Region	Date/Time
<input type="checkbox"/>	Default	Default	Default	CMLocal
<input type="checkbox"/>	Default	Default	Default	CMLocal
<input type="checkbox"/>	GSM	Default	GSM	CMLocal
<input type="button" value="Add New"/> <input type="button" value="Select All"/> <input type="button" value="Clear All"/> <input type="button" value="Delete Selected"/>				

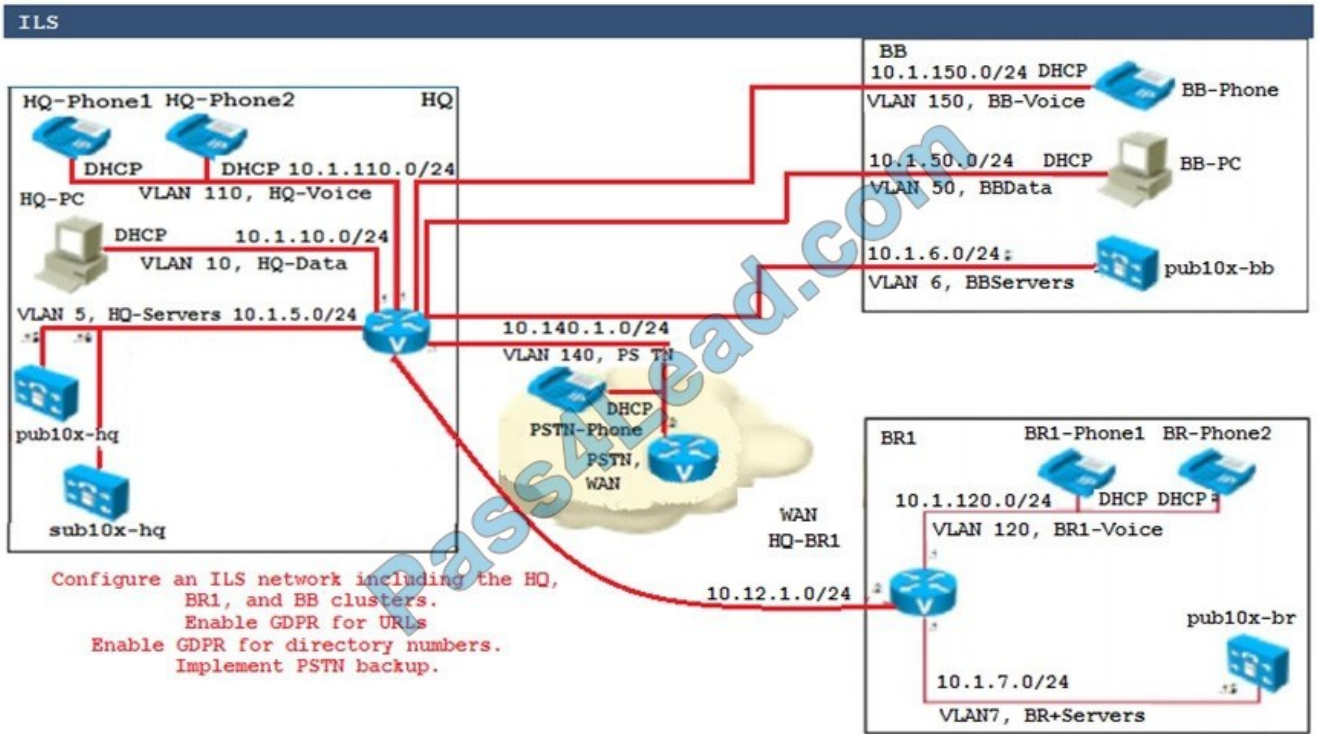
Expressway:



Expressway



ILS:



Configure an ILS network including the HQ, BR1, and BB clusters.
 Enable GDPR for URLs
 Enable GDPR for directory numbers.
 Implement PSTN backup.

Locations:



Locations

Locations (1 - 3 of 3)

Find Locations where Location begins with Find Clear Filter + -

<input type="checkbox"/>	
<input type="checkbox"/>	Hub_None
<input type="checkbox"/>	Phantom
<input type="checkbox"/>	Shadow

Add New Select All Clear All Delete Selected

MRA:

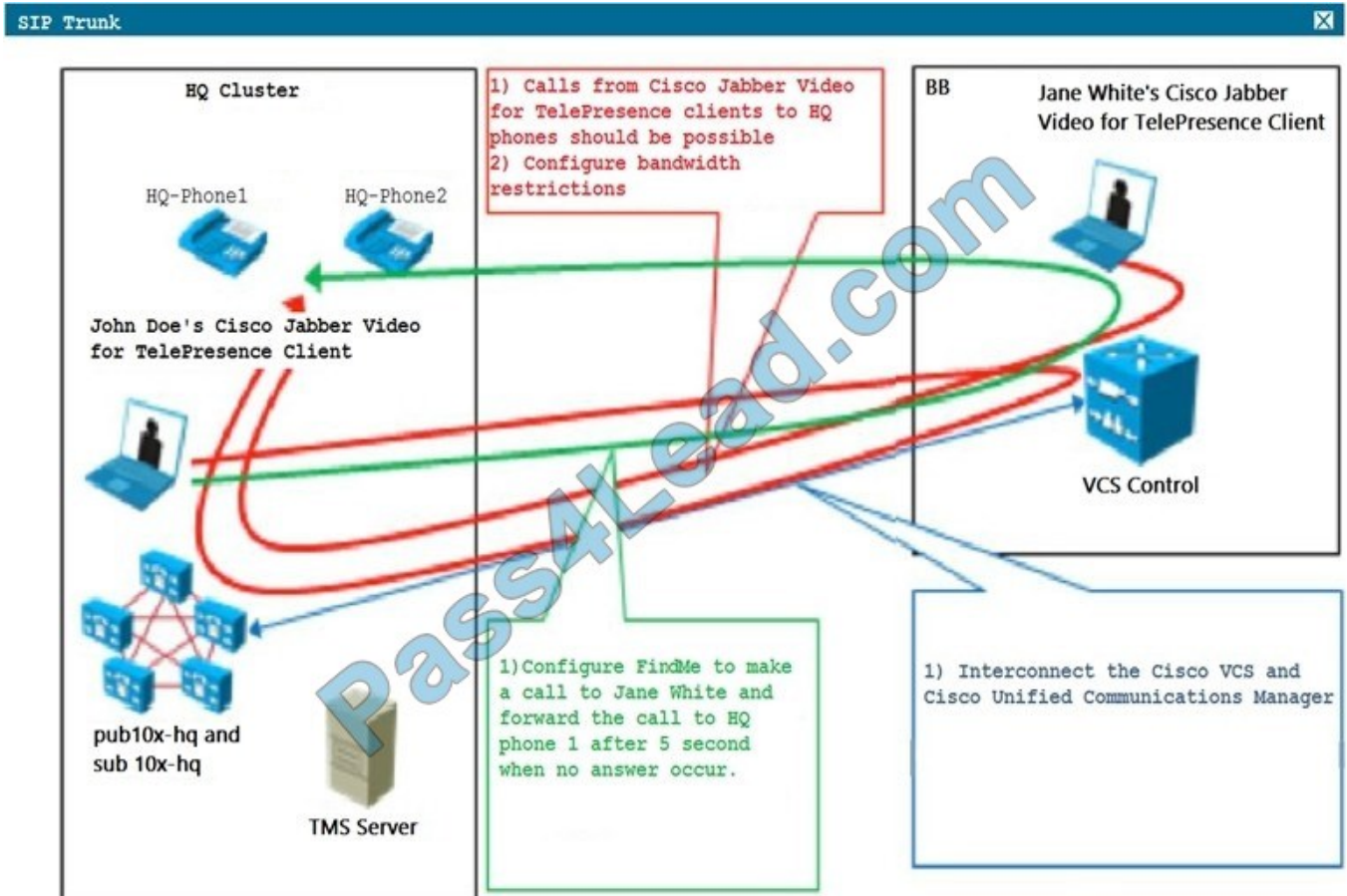
```

MRA
ip host_collab-edge._tls.hq.cisco.com SRV 1 1 8443 vcsxe8x-
hq.hq.collab10x.cisco.com
ip host vcsxe8x-hq.hq.collab10x.cisco.com 10.1.5.20
  
```

Speed Dial:

Speed Dial		
Phone	Speed Dial Button	Speed Dial Destination
HQ phone 1	1	hq2@cisco.lab
HQ phone 1	2	br1@cisco.lab
HQ phone 1	3	bb@cisco.lab
HQ phone 2	1	hq1@cisco.lab
HQ phone 2	2	br1@cisco.lab
HQ phone 2	2	br1@cisco.lab
HQ phone 2	3	bb@cisco.lab
HQ phone 1	1	hq1@cisco.lab
HQ phone 1	2	hq2@cisco.lab
HQ phone 1	3	bb@cisco.lab
BB phone	1	hq1@cisco.lab
BB phone	2	hq2@cisco.lab

SIP Trunk:



What two tasks must be completed in order to support calls between the VCS controlled endpoints and the Cisco Unified CM endpoints? (Choose two.)

- A. Media Resource Group List.
- B. Configure a SIP trunk on the Cisco Unified CM to point to the Cisco VCS.
- C. Configure a neighbor zone on the Cisco Unified CM to point to the Cisco VCS.
- D. Configure a SIP trunk on the Cisco VCS to point to the Cisco Unified CM.
- E. Configure a neighbor zone on the Cisco VCS to point to the Cisco Unified CM.

Correct Answer: BE

QUESTION 5

Which describes the meaning of a call termination cause of 1 in a Cisco Unified Communications Manager call detail record?

- A. Unallocated (unassigned) number
- B. Call rejected
- C. Normal call clearing



D. Resource unavailable, unspecified

Correct Answer: A

Reference: https://www.cisco.com/c/en/us/td/docs/voice_ip_comm/cucm/service/8_5_1/cdrdef/cdradmin/cdrcodes.pdf

[300-075 VCE Dumps](#)

[300-075 Study Guide](#)

[300-075 Braindumps](#)



To Read the [Whole Q&As](#), please purchase the [Complete Version](#) from [Our website](#).

Try our product !

100% Guaranteed Success

100% Money Back Guarantee

365 Days Free Update

Instant Download After Purchase

24x7 Customer Support

Average 99.9% Success Rate

More than 800,000 Satisfied Customers Worldwide

Multi-Platform capabilities - [Windows](#), [Mac](#), [Android](#), [iPhone](#), [iPod](#), [iPad](#), [Kindle](#)

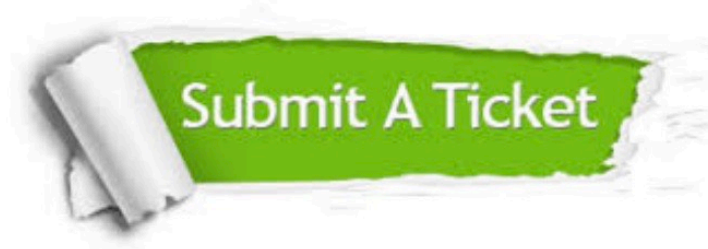
We provide exam PDF and VCE of Cisco, Microsoft, IBM, CompTIA, Oracle and other IT Certifications. You can view Vendor list of All Certification Exams offered:

<https://www.pass4lead.com/allproducts>

Need Help

Please provide as much detail as possible so we can best assist you.

To update a previously submitted ticket:



 <p>One Year Free Update Free update is available within One Year after your purchase. After One Year, you will get 50% discounts for updating. And we are proud to boast a 24/7 efficient Customer Support system via Email.</p>	 <p>Money Back Guarantee To ensure that you are spending on quality products, we provide 100% money back guarantee for 30 days from the date of purchase.</p>	 <p>Security & Privacy We respect customer privacy. We use McAfee's security service to provide you with utmost security for your personal information & peace of mind.</p>
---	---	--

Any charges made through this site will appear as Global Simulators Limited.

All trademarks are the property of their respective owners.

Copyright © pass4lead, All Rights Reserved.