



# 300-160<sup>Q&As</sup>

Designing Cisco Data Center Computing

## Pass Cisco 300-160 Exam with 100% Guarantee

Free Download Real Questions & Answers **PDF** and **VCE** file from:

<https://www.pass4lead.com/300-160.html>

100% Passing Guarantee  
100% Money Back Assurance

Following Questions and Answers are all new published by Cisco  
Official Exam Center

-  **Instant Download** After Purchase
-  **100% Money Back** Guarantee
-  **365 Days** Free Update
-  **800,000+** Satisfied Customers



**QUESTION 1**

You are assessing whether the storage system at a data center meets the needs of a customer. Which three storage system parameters must you assess? (Choose three.)

- A. the storage capacity used by the applications
- B. the number of physical CPU cores installed on the storage systems
- C. the number of input/output operations per second used by the applications
- D. the memory resources used by the storage systems
- E. the SAN bandwidth used by the applications
- F. the CPU speed and utilization of the storage systems

Correct Answer: ADF

---

**QUESTION 2**

What is one example that is true concerning network management for the data center?

- A. The Network Analysis Module is best deployed in the core for highest visibility.
- B. It utilizes filexible NetFlow for enhanced network anomaly and security detection.
- C. NetFlow support is available on most IOS and Nexus products, excluding the Nexus 1000v.
- D. NetFlow Data Export is best positioned on the Nexus 5500 at the access or aggregation layers.

Correct Answer: B

---

**QUESTION 3**

Which statement accurately describes Ethernet switching mode on a Cisco UCS Fabric Interconnect?

- A. VTP is enabled on the Fabric Interconnect
- B. PVST+ runs on the Fabric Interconnect.
- C. The uplink ports are placed in a Rapid PVST+ edge trunk state
- D. The vNICs can be configured for failover

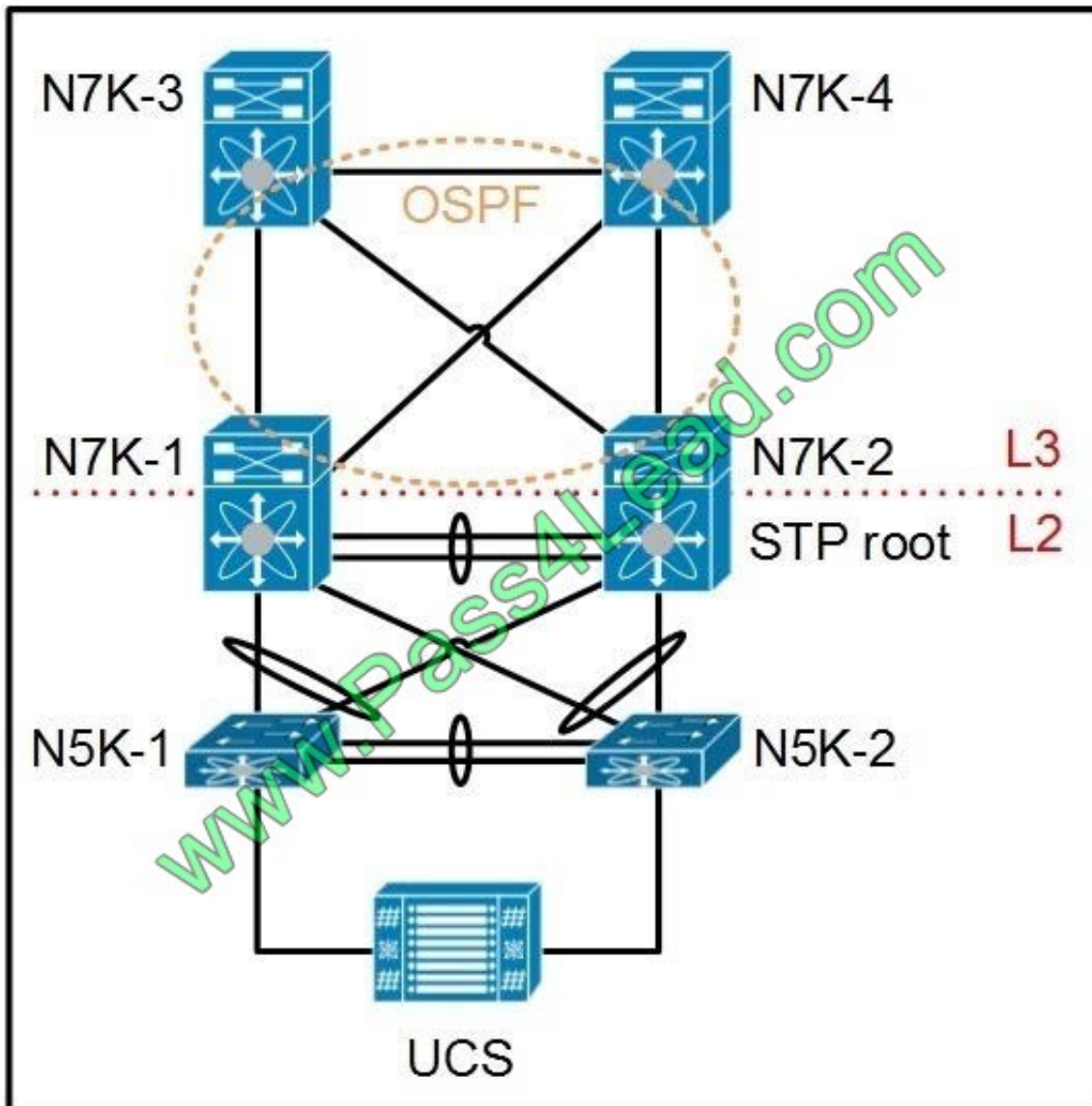
Correct Answer: B

---

**QUESTION 4**



Refer to the exhibit.



Which four options are Cisco best practices that should be included or implemented in the design for resiliency, deterministic behavior, and fast convergence in case of link failures? (Choose four.)

- A. Add additional OSPF adjacency between N7K-1 and N7K-2 via dedicated Layer 3 link.
- B. Configure vPC peer-gateway in the vPC domain between N7K-1 and N7K-2.
- C. Use point-to-point OSPF adjacencies.
- D. Place the primary FHRP role on N7K-1.
- E. Configure Layer 3 port channels between all N7K devices.
- F. N7K-3 and N7K-4 must be the OSPF designated routers.
- G. Place the primary FHRP role on N7K-2.
- H. All OSPF adjacencies should be between loopback interfaces.



Correct Answer: ABCG

---

#### QUESTION 5

You have a Cisco Nexus 5500 Series switch. What is the default load-balancing hash mechanism for traffic on FCoE port channels?

- A. the source MAC address
- B. the source IP address and the destination IP address
- C. the source MAC address and the destination MAC address
- D. the source TCP or UDP port and the destination TCP or UDP port

Correct Answer: B

On Nexus 5500 the default load balancing mechanism on the LACP port-channel for FCoE traffic is "source-destination". In this default state, all the FCoE traffic takes the same link in the port-channel when the Nexus 5500 forwards frames over FCoE VE ports. In order to enable all links to be used in the port-channel for FCoE traffic, enter the port-channel load-balance ethernet source-destport command to configure Nexus 5500 "port-channel load balancing" to "source-destport". With this configuration "source-destination-oxid" load balancing is used for FCoE traffic.

[300-160 PDF Dumps](#)

[300-160 Exam Questions](#)

[300-160 Braindumps](#)



To Read the [Whole Q&As](#), please purchase the [Complete Version](#) from [Our website](#).

## Try our product !

100% Guaranteed Success

100% Money Back Guarantee

365 Days Free Update

Instant Download After Purchase

24x7 Customer Support

Average 99.9% Success Rate

More than 800,000 Satisfied Customers Worldwide

Multi-Platform capabilities - [Windows](#), [Mac](#), [Android](#), [iPhone](#), [iPod](#), [iPad](#), [Kindle](#)

We provide exam PDF and VCE of Cisco, Microsoft, IBM, CompTIA, Oracle and other IT Certifications. You can view Vendor list of All Certification Exams offered:

<https://www.pass4lead.com/allproducts>

## Need Help

Please provide as much detail as possible so we can best assist you.

To update a previously submitted ticket:



 <p><b>One Year Free Update</b> Free update is available within One Year after your purchase. After One Year, you will get 50% discounts for updating. And we are proud to boast a 24/7 efficient Customer Support system via Email.</p>	 <p><b>Money Back Guarantee</b> To ensure that you are spending on quality products, we provide 100% money back guarantee for 30 days from the date of purchase.</p>	 <p><b>Security &amp; Privacy</b> We respect customer privacy. We use McAfee's security service to provide you with utmost security for your personal information &amp; peace of mind.</p>
---	---	--

Any charges made through this site will appear as Global Simulators Limited.

All trademarks are the property of their respective owners.

Copyright © pass4lead, All Rights Reserved.