

300-510^{Q&As}

Implementing Cisco Service Provider Advanced Routing Solutions
(SPRI)

Pass Cisco 300-510 Exam with 100% Guarantee

Free Download Real Questions & Answers **PDF** and **VCE** file from:

<https://www.pass2lead.com/300-510.html>

100% Passing Guarantee
100% Money Back Assurance

Following Questions and Answers are all new published by Cisco
Official Exam Center

- ⚙️ **Instant Download** After Purchase
- ⚙️ **100% Money Back** Guarantee
- ⚙️ **365 Days** Free Update
- ⚙️ **800,000+** Satisfied Customers



QUESTION 1

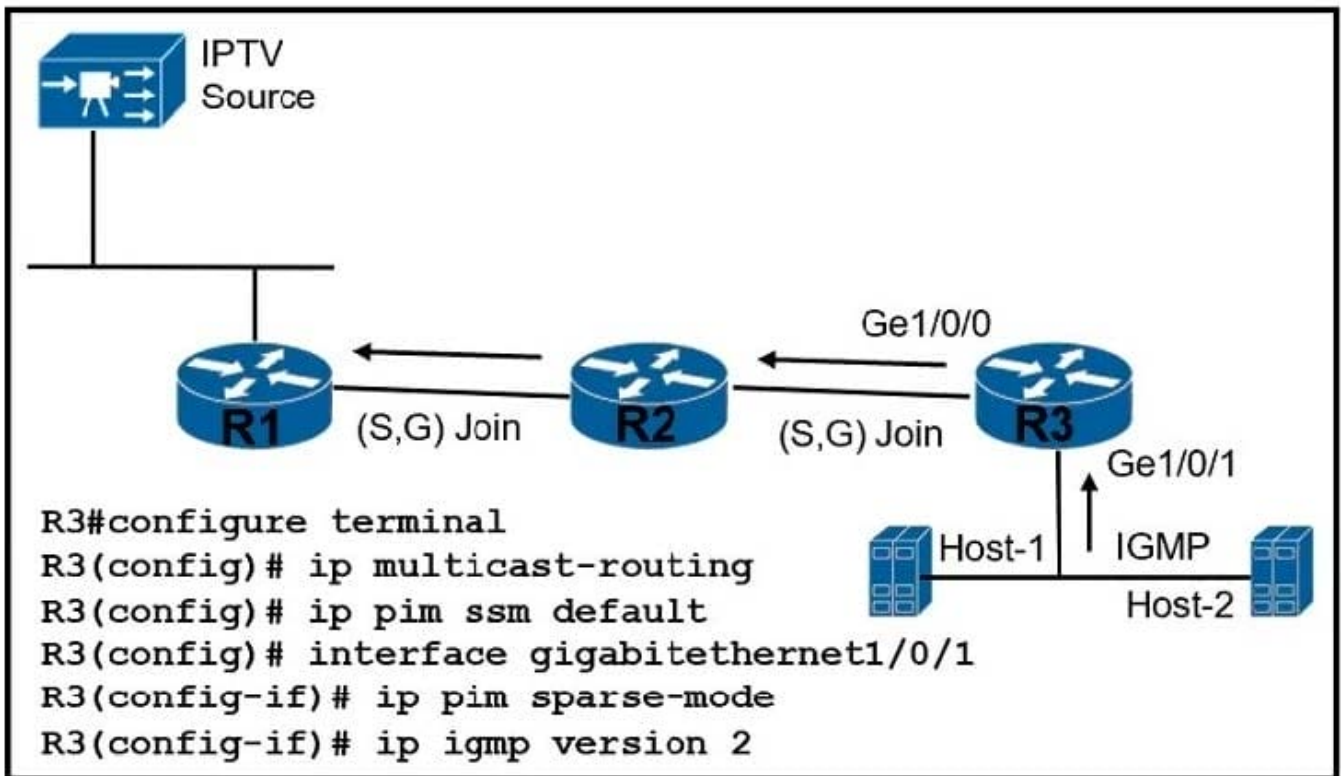
An engineer is working to implement segment routing protocol on the customer's core network. Which step should the engineer take before the segment routing is enabled and is running with BGP?

- A. Segment routing must be configured with ISIS.
- B. Segment routing must be configured with EIGRP.
- C. Explicit-null must be configured for all neighbors.
- D. MPLS must be configured.

Correct Answer: D

QUESTION 2

Refer to the exhibit.



A customer reports that Host-1 is failing to receive streaming traffic from the IPTV source. The engineer has confirmed that hosts on router R2 are receiving traffic normally and that Host-1 is correctly sending subscription messages to join the IPTV stream. Which action must the engineer take to correct the problem?

- A. Remove IP PIM SSM and IGMP from interface GigabitEthernet 1/0/1 on R3 and configure under global configuration
- B. Configure IGMP version 3 under interface GigabitEthernet 1/0/1 on R3

- C. Configure IP PIM SSM and IGMP version 2 under interface GigabitEthernet 1/0/1 on R3
- D. Remove IP PIM SSM from the global configuration on R3 and configure it under the GigabitEthernet 1/0/1 interface

Correct Answer: B

QUESTION 3

What is a characteristic of a segment routing mapping server?

- A. It must be placed in the core of the network.
- B. It serves multiple VRFs.
- C. It must have an IGP adjacency.
- D. It applies SID mappings from one IGP instance to another IGP instance.

Correct Answer: C

QUESTION 4

In a PIM-SM environment, which mechanism determines the traffic that a receiver receives?

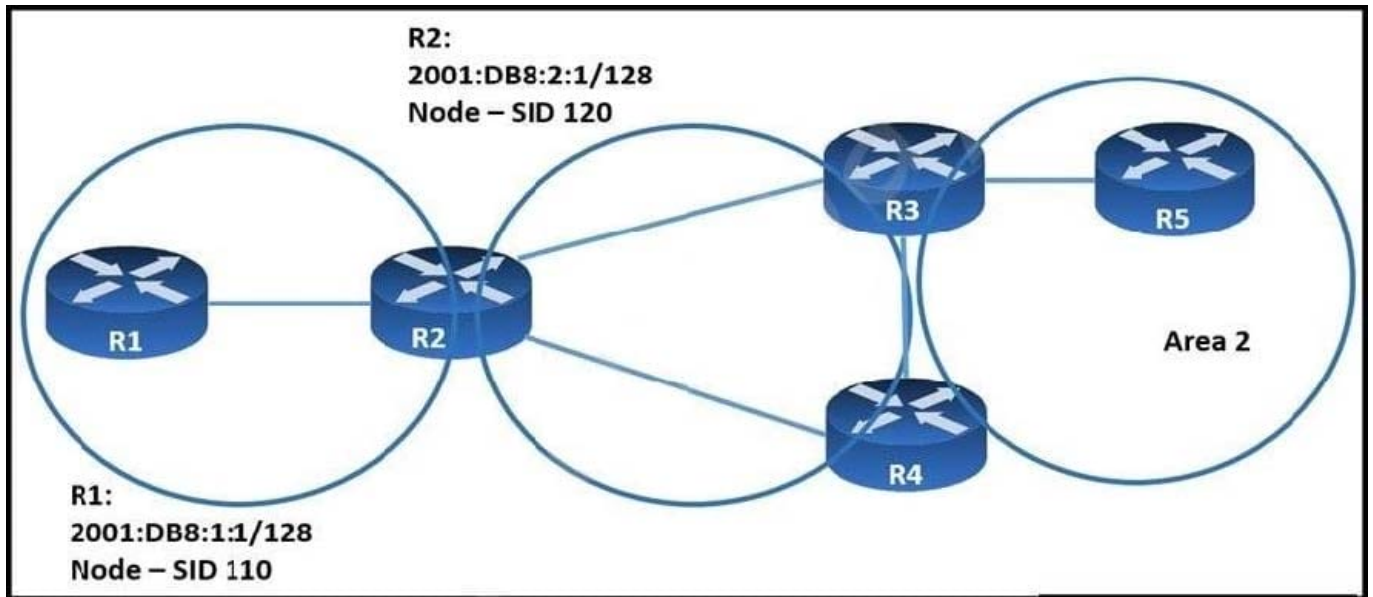
- A. The receiver explicitly requests its desired traffic from the RP on the shared tree.
- B. The receiver explicitly requests traffic from a single source, which responds by forwarding all traffic.
- C. The RP on the shared tree floods traffic out of all PIM configured interfaces.
- D. The receiver explicitly requests traffic from each desired source, which responds by sending all traffic.

Correct Answer: A

A shared tree is built first between receiver and the RP. The receiver is then able to switch to a Source tree as needed.

QUESTION 5

Refer to the exhibit.



When implementing SRv6, which SID does R2 propagate into area 0 for the prefix 2001:DB8:1:1/128?

- A. 120
- B. 230
- C. 110
- D. 10

Correct Answer: A

[Latest 300-510 Dumps](#)

[300-510 PDF Dumps](#)

[300-510 Practice Test](#)