

300-515^{Q&As}

Implementing Cisco Service Provider VPN Services (SVPI)

Pass Cisco 300-515 Exam with 100% Guarantee

Free Download Real Questions & Answers **PDF** and **VCE** file from:

<https://www.pass2lead.com/300-515.html>

100% Passing Guarantee
100% Money Back Assurance

Following Questions and Answers are all new published by Cisco
Official Exam Center

- ⚙️ **Instant Download** After Purchase
- ⚙️ **100% Money Back** Guarantee
- ⚙️ **365 Days** Free Update
- ⚙️ **800,000+** Satisfied Customers



QUESTION 1

An engineer is troubleshooting an EoMPLS circuit on a Cisco IOS XR router interface that removes a VLAN from the distribution layer. Which configuration should the engineer apply in order to accomplish the task?

- A. interface GigabitEthernet 0/10.l2transport encapsulation dot1q 10 rewrite ingress tag pop 1 symmetric l2vpn xconnect group 103588 p2p 103588 interface GigabitEthernet 0/10.10 neighbor ipv4 10.10.10.2 pw-id 103588
- B. interface GigabitEthernet 0/10.10 encapsulation dot1q 10 rewrite ingress tag pop 1 symmetric l2vpn xconnect group 103588 p2p 103588 interface GigabitEthernet 0/10.10 neighbor ipv4 10.10.10.2 pw-id 103588
- C. interface GigabitEthernet 0/10.10 l2transport encapsulation dot1q 10 l2vpn xconnect group 103588 p2p 103588 interface GigabitEthernet 2/10.10 neighbor ipv4 10.10.10.2 pw-id 103588
- D. interface GigabitEthernet 0/10.10 l2transport encapsulation dot1q 10 rewrite ingress tag translate 1-to-1 dot1ad 10 symmetric l2vpn xconnect group 103588 p2p 103588 interface GigabitEthernet 0/10.10 neighbor ipv4 10.10.10.2 pw-id 103588

Correct Answer: C

QUESTION 2

With Layer 3 MPLS VPN implementations on Cisco IOS XR PE routers, an interface is assigned to a VRF using the vrf command in which configuration mode?

- A. RP/0/RP0/CPU0:PE(config-bgp)#
- B. RP/0/RP0/CPU0:PE(config-if)#
- C. RP/0/RP0/CPU0:PE(config-bgp-af)#
- D. RP/0/RP0/CPU0:PE(config-vrf)#

Correct Answer: B

Reference: https://www.cisco.com/c/en/us/td/docs/ios_xr_sw/iosxr_r3-7/mpls/configuration/guide/gc37v3.html

QUESTION 3

Which two BGP attributes prevent loops in a route reflector environment? (Choose two.)

- A. cluster ID
- B. local preference
- C. origin
- D. originator ID
- E. AS_PATH

Correct Answer: AD

Reference: <https://www.ciscopress.com/articles/article.asp?p=2756480andseqNum=10>

QUESTION 4

mdt default mpls mldp 2.2.2.2

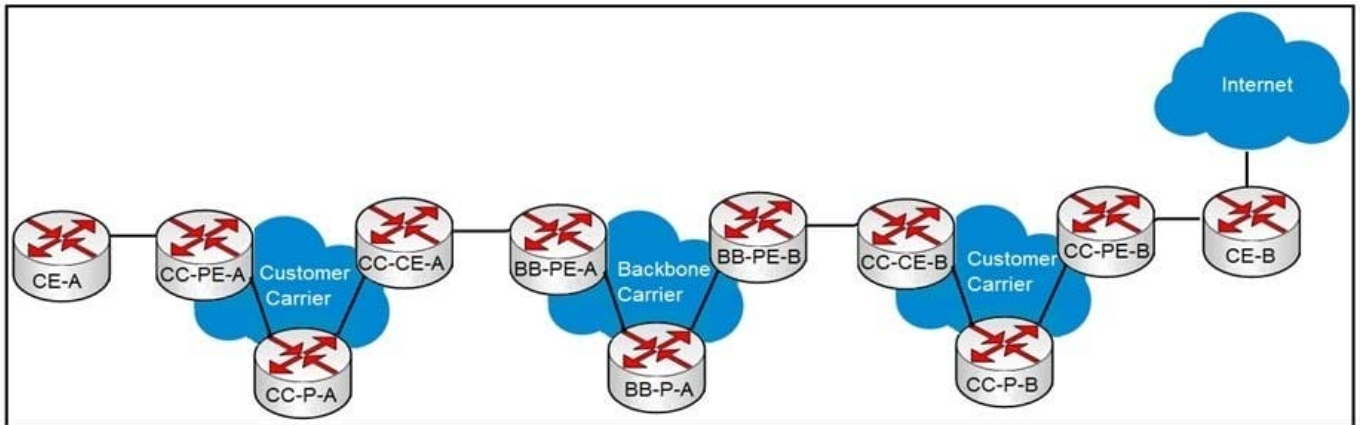
Refer to the exhibit. Which statement about this command is true?

- A. It must be configured on each PE router to enable the PE routers to receive multicast traffic for this particular MVRP.
- B. It is used to set the designated router on a link using PIM-SM.
- C. It must be configured on the PE and CE router to enable MP-BGP to send labels for CSC.
- D. It is used to set the router that will server as the root bridge for STP.

Correct Answer: A

Reference: <https://www.cisco.com/c/en/us/td/docs/routers/asr1000/configuration/guide/chassis/asrswcfg/lsmmldp.html>

QUESTION 5



Refer to the exhibit. A customer carrier running MPLS VPN wants to utilize a backbone carrier to forward traffic and exchange VPNv4 prefixes between the two customer carrier networks depicted. Which two sets of routers must establish MPiBGP sessions? (Choose two.)

- A. BB-PE-A and CC-PE-B
- B. CC-PE-A and CC-PE-B
- C. BB-PE-A and BB-PE-B
- D. CC-PE-A and BB-PE-A
- E. BB-PE-A and BB-P-A

F. CC-PE-A and CC-P-A

Correct Answer: BC

Reference: https://www.cisco.com/c/en/us/td/docs/ios-xml/ios/mp_ias_and_csc/configuration/12-2sx/mp-ias-and-csc-12-2sx-book/mp-carrier-bgp.html

[300-515 VCE Dumps](#)

[300-515 Practice Test](#)

[300-515 Study Guide](#)