

300-630^{Q&As}

Implementing Cisco Application Centric Infrastructure - Advanced
(DCACIA)

Pass Cisco 300-630 Exam with 100% Guarantee

Free Download Real Questions & Answers **PDF** and **VCE** file from:

<https://www.pass2lead.com/300-630.html>

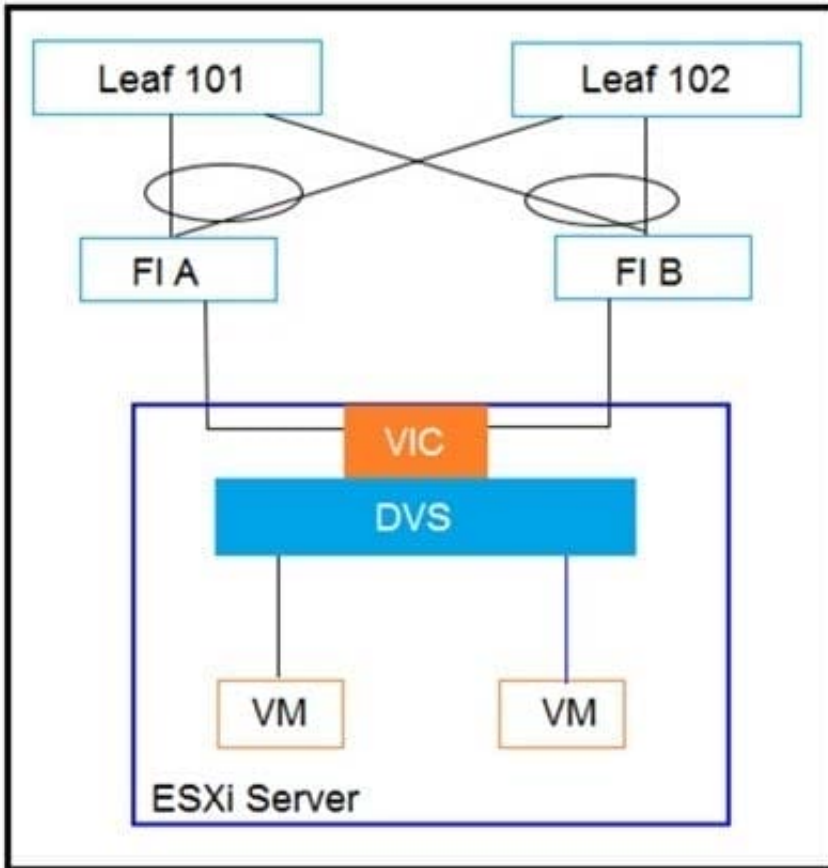
100% Passing Guarantee
100% Money Back Assurance

Following Questions and Answers are all new published by Cisco
Official Exam Center

- ⚙️ **Instant Download** After Purchase
- ⚙️ **100% Money Back** Guarantee
- ⚙️ **365 Days** Free Update
- ⚙️ **800,000+** Satisfied Customers



QUESTION 1

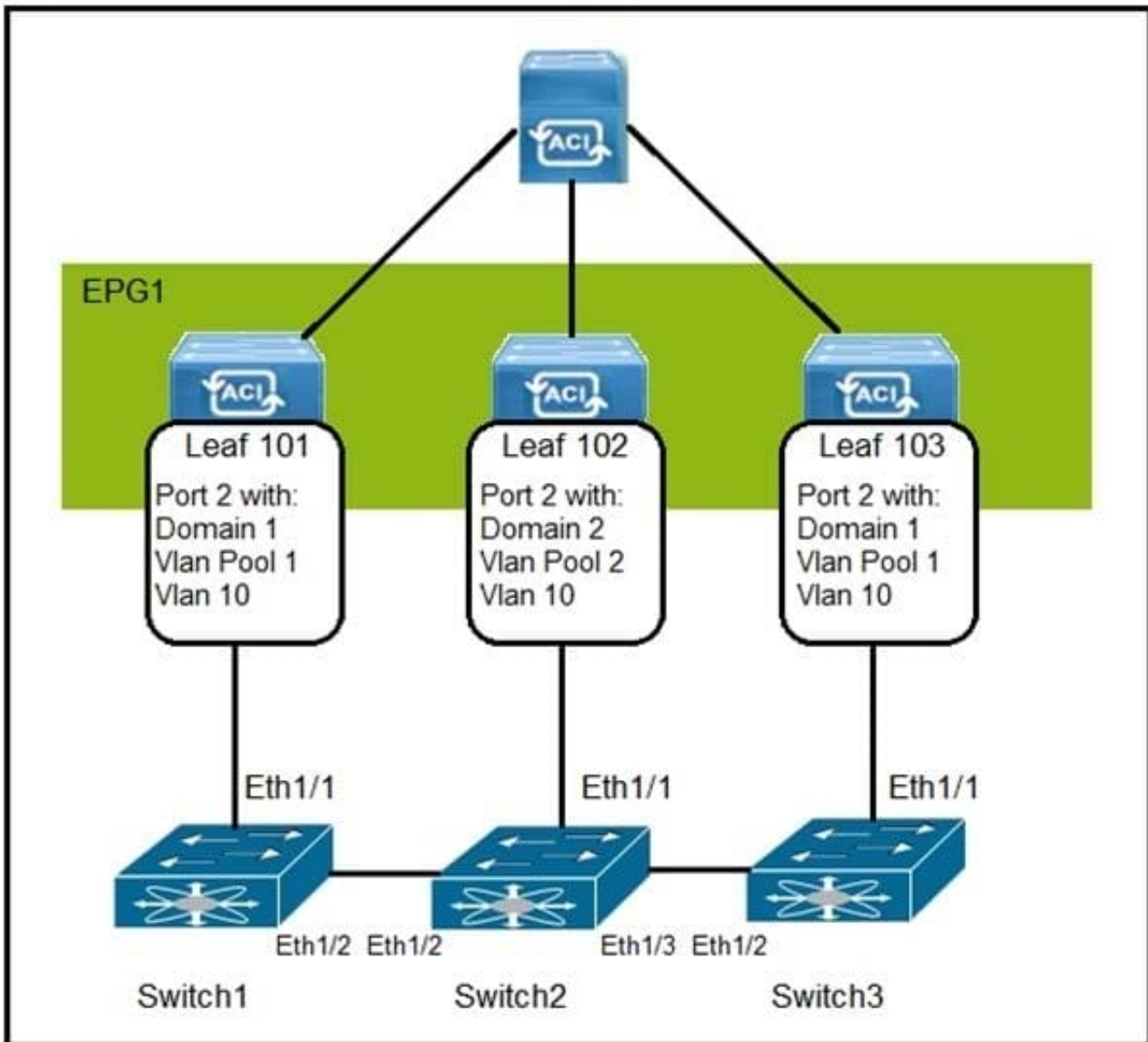


Refer to the exhibit. Between Cisco UCS FIs and Cisco ACI leaf switches, CDP is disabled, the LLDP is enabled, and LACP is in Active mode. Which two discovery protocols and load-balancing mechanism combinations can be implemented for the DVS? (Choose two.)

- A. CDP enabled, LLDP disabled, and LACP Active
- B. CDP disabled, LLDP enabled, and MAC Pinning
- C. CDP enabled, LLDP disabled, and MAC Pinning
- D. CDP enabled, LLDP enabled, and LACP Active
- E. CDP enabled, LLDP disabled, and LACP Passive
- F. CDP disabled, LLDP enabled, and LACP Passive

Correct Answer: BE

QUESTION 2



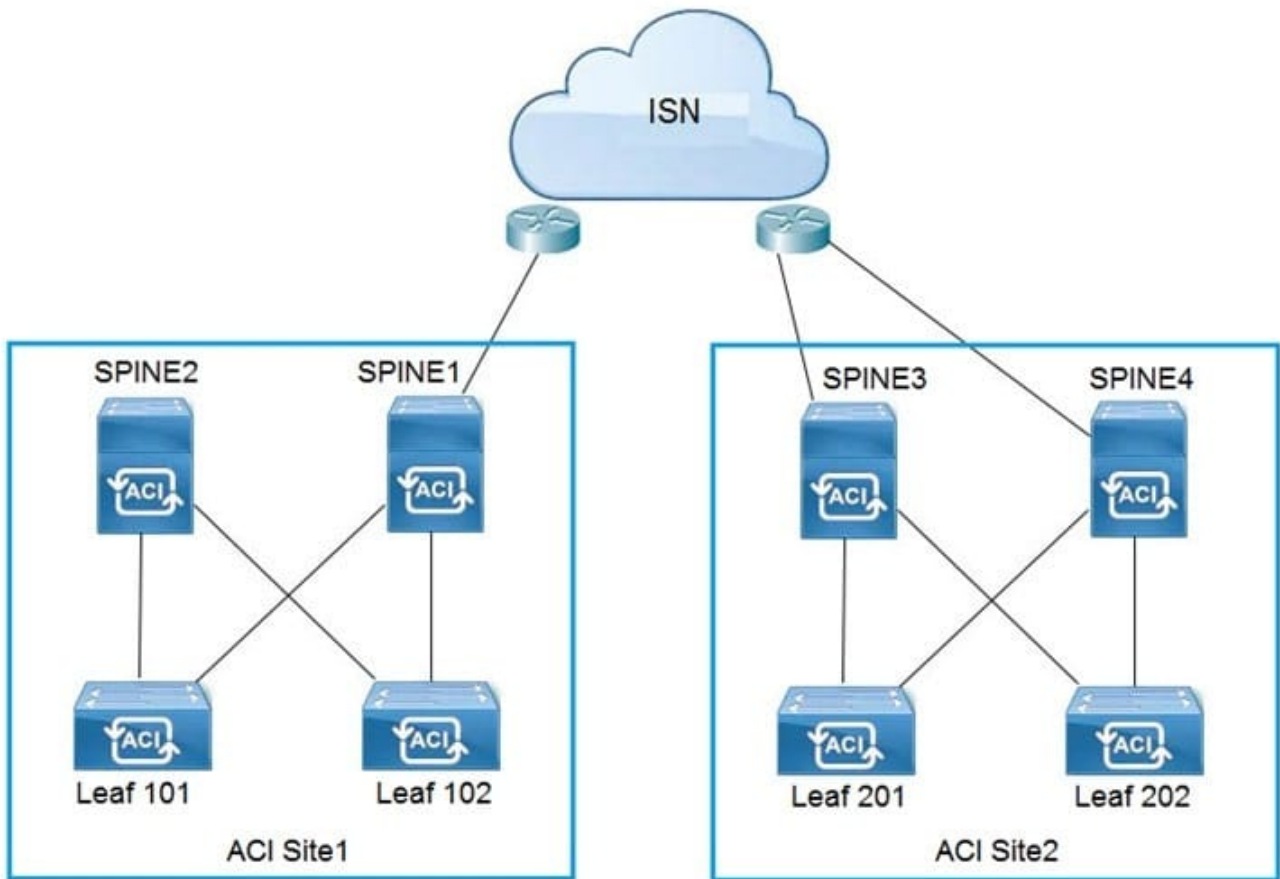
Refer to the exhibit. How are the STP BPDUs forwarded over Cisco ACI fabric?

- A. STP BPDUs that are generated by Switch2 are received by Switch1 and Switch3.
- B. Cisco ACI fabric drops all STP BPDUs that are generated by the external switches.
- C. Cisco ACI acts as the STP root for all three external switches.
- D. STP BPDUs that are generated by Switch1 are received only by Switch3.

Correct Answer: A

Reference: <https://www.linkedin.com/pulse/cisco-aci-network-behaviour-stptcn-how-identify-loop-ankit-kulshresta>

QUESTION 3



Refer to the exhibit. Which two configuration steps are required in ISN for Cisco ACI Multi-Site setup? (Choose two.)

- A. Connect Spine2 to ISN routers.
- B. Configure BIDIR-PIM throughout the ISN
- C. Increase ISN MTU to support the maximum MTU that is sent by endpoints
- D. Configure OSPF between spines and ISN routers
- E. Enable IGMPv3 on ISN routers

Correct Answer: DE

QUESTION 4

What are two characteristics of Cisco ACI interaction with MSTP? (Choose two.)

- A. A Cisco ACI leaf flushes all local endpoints in the received EPG when an MSTP TCN frame is received.
- B. A static path binding is required for native VLAN to carry the MST BPDUs in existing EPGs.
- C. Mis-cabling protocol is used to snoop the MSTP TCN packets.
- D. A dedicated EPG must be created for the native VLAN ID with static bindings toward the MSTP-enabled switches.

E. The PVST simulation must be configured on external network switches to support MSTP.

Correct Answer: CD

QUESTION 5

Which two actions are the Cisco best practices to configure NIC teaming load balancing for Cisco UCS B-Series blades that are connected to the Cisco ACI leaf switches? (Choose two.)

- A. Create vPC+
- B. Enable LACP active mode
- C. Create PAgP
- D. Create vPC
- E. Enable MAC pinning

Correct Answer: BE

[300-630 VCE Dumps](#)

[300-630 Practice Test](#)

[300-630 Exam Questions](#)