

300-915^{Q&As}

Developing Solutions using Cisco IoT and Edge Platforms (DEVIOT)

Pass Cisco 300-915 Exam with 100% Guarantee

Free Download Real Questions & Answers **PDF** and **VCE** file from:

<https://www.pass2lead.com/300-915.html>

100% Passing Guarantee
100% Money Back Assurance

Following Questions and Answers are all new published by Cisco
Official Exam Center

- ⚙️ **Instant Download** After Purchase
- ⚙️ **100% Money Back** Guarantee
- ⚙️ **365 Days** Free Update
- ⚙️ **800,000+** Satisfied Customers



QUESTION 1

Which two commands inside a Docker container on a gateway help to troubleshoot why the compute performance of the device is slowing down? (Choose two.)

- A. show processes
- B. top
- C. wmic
- D. ps
- E. proc

Correct Answer: BD

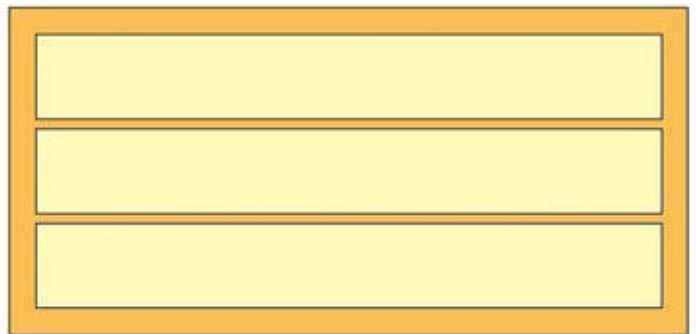
QUESTION 2

DRAG DROP

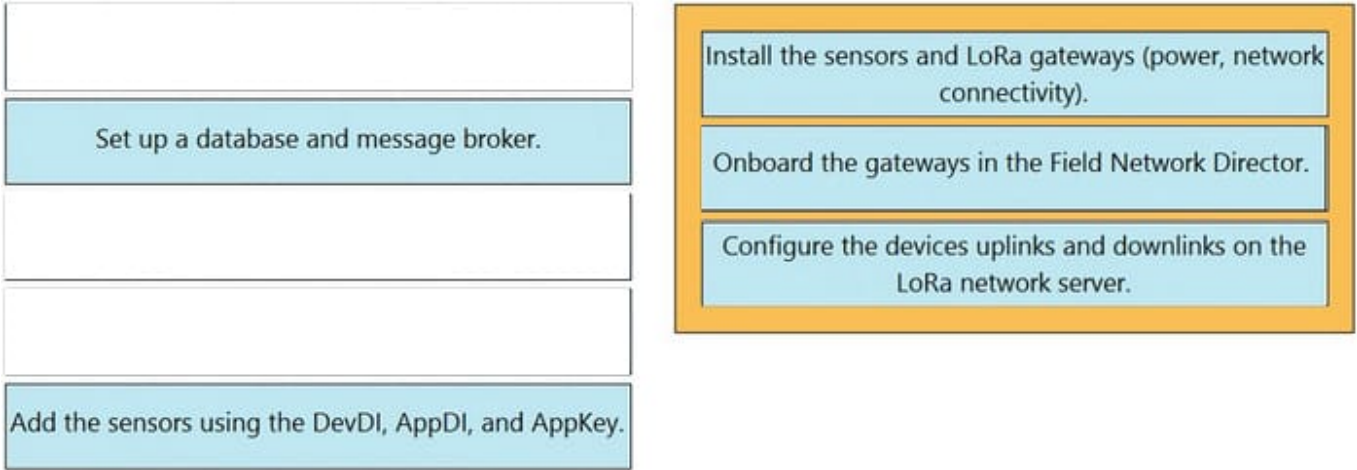
The network team of a large international airport is creating a sensor network on their site using the Cisco LoRaWAN solution. Drag and drop the actions from the left to right needed to implement this project. Not all options are used.

Select and Place:

- Onboard the gateways in the Field Network Director.
- Set up a database and message broker.
- Configure the devices uplinks and downlinks on the LoRa network server.
- Install the sensors and LoRa gateways (power, network connectivity).
- Add the sensors using the DevDI, AppDI, and AppKey.

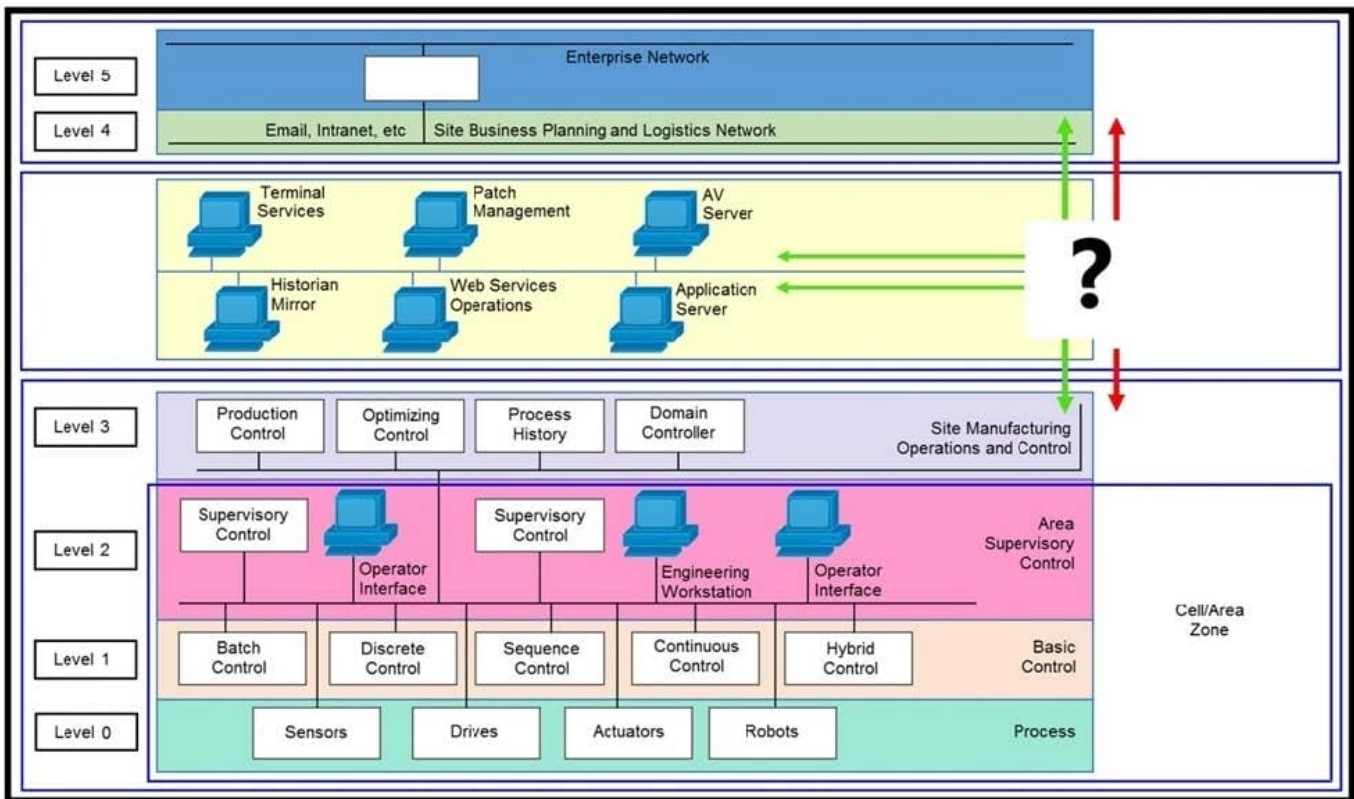


Correct Answer:



Reference: https://www.cisco.com/c/en_in/solutions/internet-of-things/lorawan-solution.html#~stickynav=3

QUESTION 3



Refer to the exhibit. Which product must be positioned where the "?" is placed to connect these different network levels?

- A. firewall
- B. switch
- C. router

D. wireless access port

Correct Answer: C

QUESTION 4

What is a major difference of MQTT in terms of design compared to AMQP?

- A. MQTT requires more bandwidth.
- B. MQTT has very low overhead.
- C. MQTT has more advanced routing features for messages.
- D. MQTT provides routing based on headers.

Correct Answer: B

QUESTION 5

Which two security approaches help build a strong authentication scheme? (Choose two.)

- A. connection based on location
- B. session IDs accepted only from cookies
- C. maximum allowed connections
- D. user logout
- E. session logout because of inactivity

Correct Answer: CE

[300-915 PDF Dumps](#)

[300-915 Study Guide](#)

[300-915 Exam Questions](#)