

300-915^{Q&As}

Developing Solutions using Cisco IoT and Edge Platforms (DEVIOT)

Pass Cisco 300-915 Exam with 100% Guarantee

Free Download Real Questions & Answers **PDF** and **VCE** file from:

<https://www.pass2lead.com/300-915.html>

100% Passing Guarantee
100% Money Back Assurance

Following Questions and Answers are all new published by Cisco
Official Exam Center

-  **Instant Download** After Purchase
-  **100% Money Back** Guarantee
-  **365 Days** Free Update
-  **800,000+** Satisfied Customers



QUESTION 1

When trying to subscribe to an MQTT broker on the internet, the MQTT client is on a private subnet and must be NATed to reach the public broker.

What is the expected outcome when this configuration is in place?

- A. The client periodically reconnects to the default gateway.
- B. The client connects only once using the PENDING message to the broker.
- C. The client periodically reconnects to the broker over the NAT connection.
- D. The client connects only once using the CONNECT message to the broker.

Correct Answer: D

QUESTION 2

Which two commands inside a Docker container on a gateway help to troubleshoot why the compute performance of the device is slowing down? (Choose two.)

- A. show processes
- B. top
- C. wmic
- D. ps
- E. proc

Correct Answer: BD

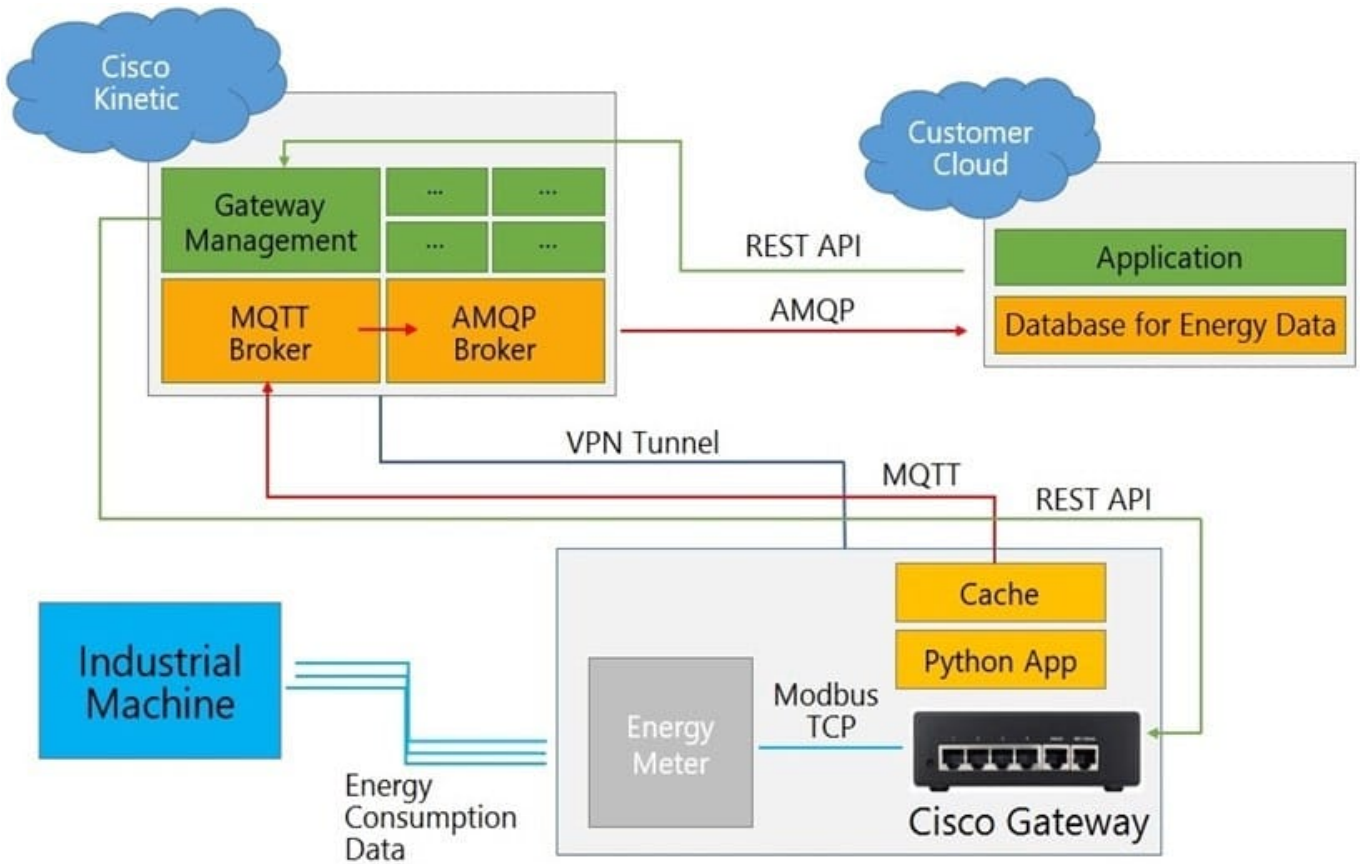
QUESTION 3

Which two statements define the mechanism for console access of the Guest Operating System from the Cisco IR829 router? (Choose two.)

- A. The Guest OS can be accessed by default on Telnet port 2070 from the Cisco IR829 console.
- B. The Guest OS console is available directly by the AUX port 3362 from the Cisco IR829 router.
- C. The Guest OS can be accessed directly using the console port on the Cisco IR829 router.
- D. The Guest OS can be accessed by initiating SSH from the Cisco IR829 console.
- E. The Guest OS console is available only when a static IP is configured on the host.

Correct Answer: AD

QUESTION 4



Refer to the exhibit. Which two statements about data flow are true? (Choose two.)

- A. Another AMQP broker should be implemented on the customer cloud.
- B. Instead of AMQP, MQTT should be used for compatibility issues in a cloud-to-cloud connection.
- C. A VPN tunnel is not necessary because the MQTT payload is encrypted by default.
- D. The gateway must stay constantly connected to the Kinetic cloud to avoid blank data sets, even when using caching functions.
- E. The Python application could use the paho-mqtt library.

Correct Answer: BE

QUESTION 5

An IoT application has been built into the application CI/CD pipeline. The application needs credentials to access other applications, APIs, and cloud resources.

When should the credentials be inserted into the application using the CI/CD process?

- A. hard coded into your application code base

- B. during application runtime
- C. after application testing
- D. during application build time

Correct Answer: A

[300-915 PDF Dumps](#)

[300-915 Study Guide](#)

[300-915 Exam Questions](#)