



350-080^{Q&As}

CCIE Data Center Written

Pass Cisco 350-080 Exam with 100% Guarantee

Free Download Real Questions & Answers **PDF** and **VCE** file from:

<https://www.pass4lead.com/350-080.html>

100% Passing Guarantee
100% Money Back Assurance

Following Questions and Answers are all new published by Cisco
Official Exam Center

-  **Instant Download** After Purchase
-  **100% Money Back** Guarantee
-  **365 Days** Free Update
-  **800,000+** Satisfied Customers





QUESTION 1

In one-armed design, which method must be used to achieve symmetric load balancing in ACE?

- A. Dual NAT
- B. Round Robin
- C. Dynamic Routing Protocol
- D. MAC Probe

Correct Answer: A

QUESTION 2

In the Cisco Nexus 7000 FabricPath domain, one switch becomes the root for the multideestination tree. Cisco FabricPath IS-IS will automatically select root switches for each multideestination tree. One of the parameters that is used to select the root is the system ID. Which two statements are true about the system ID? (Choose two.)

- A. The system ID is a unique 12-bit value.
- B. The system ID is a 48-bit value composed of the VDC MAC address.
- C. A higher system ID is preferred.
- D. A lower system ID is preferred.

Correct Answer: BC

QUESTION 3

What are two benefits of a FabricPath network? (Choose two.)

- A. Simplicity of configuration
- B. Automatic OSPF routing
- C. Scalability
- D. Dynamic link selection
- E. Spanning tree loop prioritization.

Correct Answer: AC

QUESTION 4

Refer to the exhibit.



```

N5K(config)# show ip pim rp
PIM RP Status Information for VRF "default"
BSR disabled
Auto-RP RPA: unknown
BSR RP Candidate policy: None
BSR RP policy: None
Auto-RP Announce policy: None
Auto-RP Discovery policy: None

N5K(config)# show ip pim ne
PIM Neighbor Status for VRF "default"
Neighbor      Interface      Uptime      Expires      DR      Bidir-  BFD
              Interface      Uptime      Expires      Priority Capable State
7.7.7.2       Vlan106        10:16:37    00:01:38    1       yes     n/a

```

RT1	RT2
<pre> feature pim ip pim send-rp-announce lo10 group-list 239.0.0.0/24 interface loopback10 ip address 9.9.9.1/24 ip router ospf 1 area 0.0.0.0 ip pim sparse-mode interface Vlan106 no shutdown ip address 7.7.7.2/24 ip router ospf 1 area 0.0.0.0 ip pim sparse-mode ip pim border </pre>	<pre> feature pim interface loopback10 ip address 8.8.8.1/24 ip router ospf 1 area 0.0.0.0 interface Vlan106 no shutdown ip address 7.7.7.1/24 ip router ospf 1 area 0.0.0.0 ip pim sparse-mode </pre>

The customer is trying to configure a rendezvous point, but for some reason it is failing. Which configuration should be applied on both Nexus devices to configure the rendezvous point?

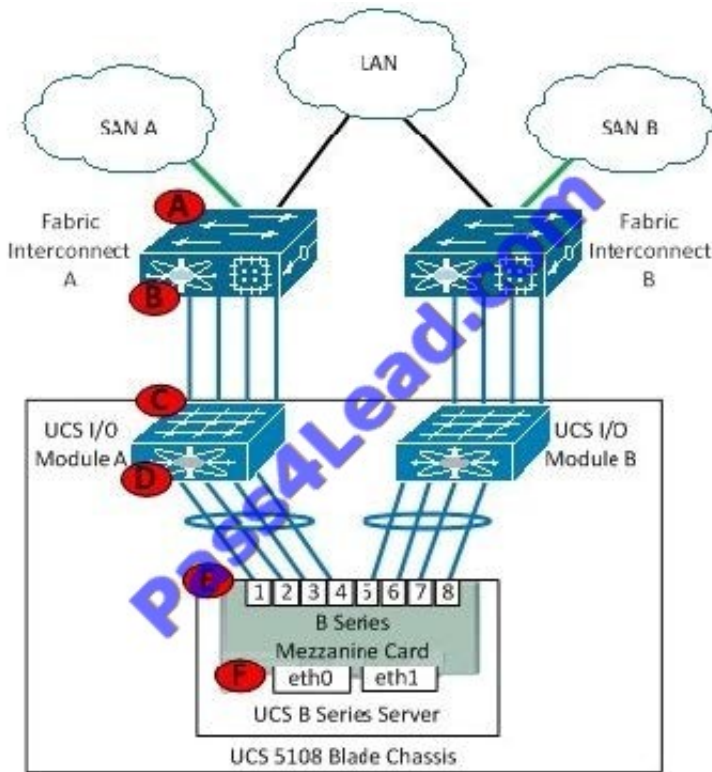
- A. RT-2(config)#ip pim send-rp-discovery loopback10 RT-2(config)#interface lo0
- B. RT-2(config-if)#ip pim-sparse RT-2(config)#ip pim send-rp-announce lo10 group-list 239.0.0.0/24 RT-2(config)#interface lo0 RT-2(config-if)#ip pim-sparse
- C. RT-2(config)#ip pim send-rp-discovery loopback10 RT-2(config)#interface lo0 RT-2(config-if)#ip pim-sparse
- D. RT-1(config)#interface Vlan106 RT-1(config-if)#no ip pim border RT-2(config)# ip pim send-rp-announce lo10 group-list 239.0.0.0/24 RT-2(config)#interface lo0 RT-2(config-if)#ip pim-sparse
- E. RT-1(config)#interface Vlan106
- F. RT-1(config-if)#no ip pim border RT-2(config)# ip pim send-rp-discovery loopback10
- G. RT-1(config)#interface Vlan106 RT-1(config-if)#no ip pim border

Correct Answer: C

QUESTION 5



Refer to the exhibit.



According to the equipment tab in Cisco UCS Manager, which is true?

- A. A is an uplink port, B is a fabric port, C is a server port, D is a backplane port, E is a DCE interface, and F is a vNIC
- B. A is an uplink port, B is a server port, C is a fabric port, D is a backplane port, E is a DCE interface, and F is a vNIC
- C. A is an uplink port, B is a fabric port, C is a backplane port, D is a server port, E is a DCE interface, and F is a vNIC
- D. A is an uplink port, B is a server port, C is a fabric port, D is a DCE interface, E is a backplane port, and F is a vNIC
- E. A is an fabric port, B is a downlink port, C is an uplink port, D is a server port, E is a VIC interface, and F is a vNIC

Correct Answer: B

[350-080 Study Guide](#)

[350-080 Exam Questions](#)

[350-080 Braindumps](#)



To Read the [Whole Q&As](#), please purchase the [Complete Version](#) from [Our website](#).

Try our product !

100% Guaranteed Success

100% Money Back Guarantee

365 Days Free Update

Instant Download After Purchase

24x7 Customer Support

Average 99.9% Success Rate

More than 800,000 Satisfied Customers Worldwide

Multi-Platform capabilities - [Windows](#), [Mac](#), [Android](#), [iPhone](#), [iPod](#), [iPad](#), [Kindle](#)

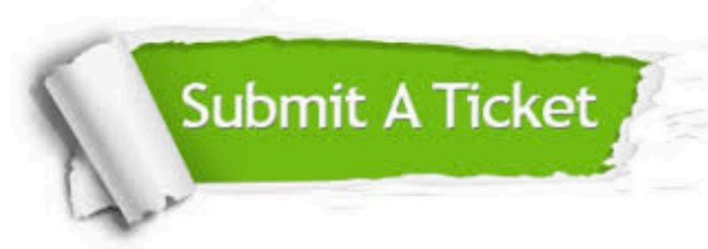
We provide exam PDF and VCE of Cisco, Microsoft, IBM, CompTIA, Oracle and other IT Certifications. You can view Vendor list of All Certification Exams offered:

<https://www.pass4lead.com/allproducts>

Need Help

Please provide as much detail as possible so we can best assist you.

To update a previously submitted ticket:



 <p>One Year Free Update Free update is available within One Year after your purchase. After One Year, you will get 50% discounts for updating. And we are proud to boast a 24/7 efficient Customer Support system via Email.</p>	 <p>Money Back Guarantee To ensure that you are spending on quality products, we provide 100% money back guarantee for 30 days from the date of purchase.</p>	 <p>Security & Privacy We respect customer privacy. We use McAfee's security service to provide you with utmost security for your personal information & peace of mind.</p>
---	---	--

Any charges made through this site will appear as Global Simulators Limited.

All trademarks are the property of their respective owners.

Copyright © pass4lead, All Rights Reserved.