

# 350-501 Q&As

Implementing and Operating Cisco Service Provider Network Core Technologies (SPCOR)

## Pass Cisco 350-501 Exam with 100% Guarantee

Free Download Real Questions & Answers **PDF** and **VCE** file from:

<https://www.pass2lead.com/350-501.html>

100% Passing Guarantee  
100% Money Back Assurance

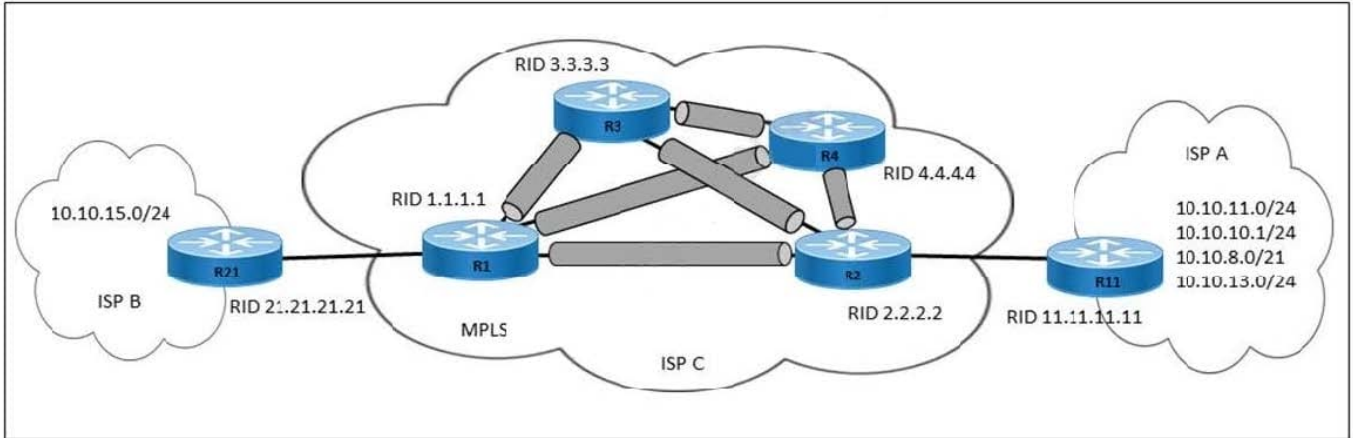
Following Questions and Answers are all new published by Cisco  
Official Exam Center

- ⚙️ **Instant Download** After Purchase
- ⚙️ **100% Money Back** Guarantee
- ⚙️ **365 Days** Free Update
- ⚙️ **800,000+** Satisfied Customers



**QUESTION 1**

Refer to the exhibit.

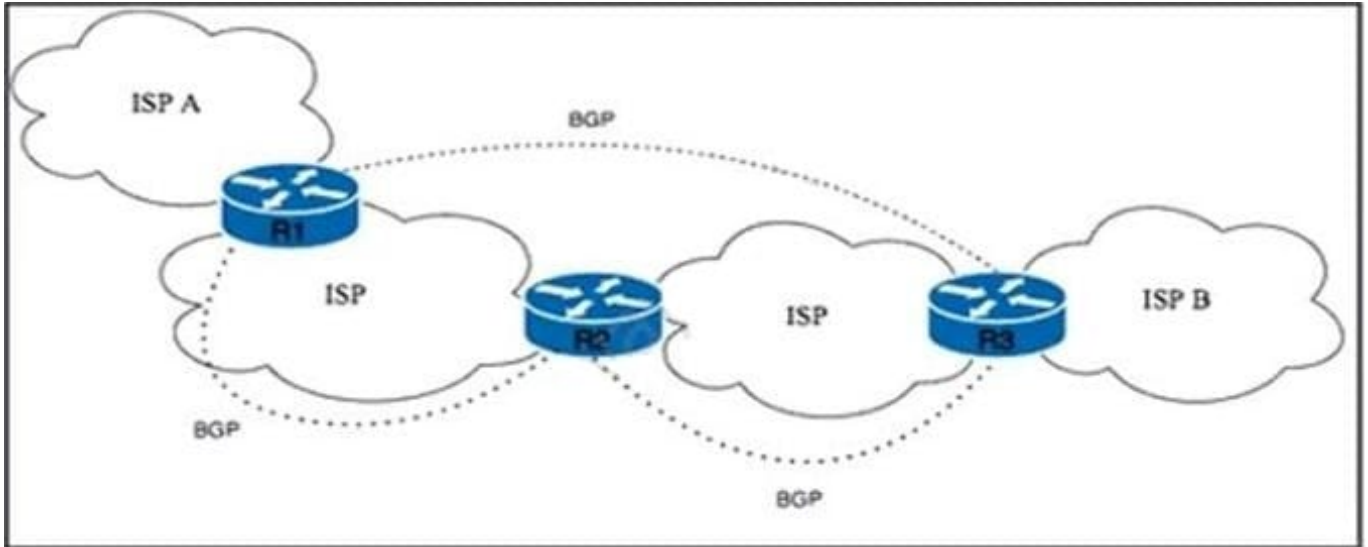


An engineer at ISP C is configuring a new interconnection with ISPs A and B using the BGP protocol. After the initial configuration, the engineer noticed high memory usage and an abnormally large LIB table on router R2. Which two actions must the engineer take on R2 to minimize memory usage? (Choose two.)

- A. Configure the `mpls ldp neighbor 11.11.11.11 labels accept 1` command.
- B. Configure Standard ACL 1 with accepted prefixes.
- C. Configure Extended ACL 101 with accepted prefixes.
- D. Configure the `mpls ldp neighbor 1.1.1.1 labels accept 101` command.
- E. Configure the `mpls ldp neighbor 21.21.21.21 labels accept 101` command.

Correct Answer: AB

**QUESTION 2**



Refer to the exhibit. Tier 1 ISP A is connected to small Tier 3 ISP B. The EBGP routing protocol is used for route exchange. The networking team at ISP A noticed the flapping of BGP sessions with ISP B. The team decides to improve stability on the network by suppressing the subnet for 30 minutes when a session begins to flap. Which action must the team perform to meet this goal?

- A. Implement BGP route dampening on ISP A router R1 with the `bgp dampening 15 700 1500 30` command.
- B. Implement a BGP route withdraw-delay timer on ISP B router R3 with the `bgp withdraw-delay 30 15 90 30` command.
- C. Implement a BGP route-penalty timer on ISP A router R1 with the `bgp penalty-timer 30 250 750 15` command.
- D. Implement BGP route suppression on ISP A router R2 with the `bgp suppression 30 600 1200 30` command.

Correct Answer: A

### QUESTION 3

DRAG DROP

Drag and drop the NAT64 descriptions from the left onto the correct NAT64 types on the right.

Select and Place:

	<b>Stateful</b>
It is limited on the number of endpoints	
It uses address overloading	
It conserves IPv4 addresses	
It mandates IPv4-translatable IPv6 address allocation	
It has 1:N translation	<b>Stateless</b>

Correct Answer:

	<b>Stateful</b>
	It has 1:N translation
	It uses address overloading
	It conserves IPv4 addresses
	<b>Stateless</b>
	It is limited on the number of endpoints
	It mandates IPv4-translatable IPv6 address allocation

Stateful (It has 1: N translation, It uses address overloading, It conservers IPv4 addresses)

Stateless (It is limited on the number of endpoints, It mandates IPv4-translatable IPv6 address allocation)

**QUESTION 4**

Refer to the exhibit.

```
R1
interface fastethernet1/0
  ip address 192.168.1.3 255.255.255.0
router bgp 65000
  router-id 192.168.1.1
  neighbor 192.168.1.2 remote-as 65012

R2
interface fastethernet1/0
  ip address 192.168.1.2 255.255.255.0
router bgp 65012
  router-id 192.168.1.1
  neighbor 192.168.1.3 remote-as 65000
  neighbor 192.168.1.3 local-as 65112
```

Assume all other configurations are correct and the network is otherwise operating normally. Which conclusion can you draw about the neighbor relationship between routers R1 and R2?

- A. The neighbor relationship is up.
- B. The neighbor relationship will be up only if the two devices have activated the correct neighbor relationships under the IPv4 address family.
- C. The neighbor is down because the local-as value for R2 is missing in the R1 neighbor statement.
- D. The neighbor relationship is down because R1 believes R2 is in AS 65012.

Correct Answer: D

#### QUESTION 5

You are creating new Cisco MPLS TE tunnels. Which type of RSVP message does the headend router send to reserve bandwidth on the path to the tailend router?

- A. path
- B. tear
- C. error
- D. reservation

Correct Answer: A

Reference: <https://packetpushers.net/rsvp-te-protocol-deep-dive/>

[Latest 350-501 Dumps](#)

[350-501 PDF Dumps](#)

[350-501 Exam Questions](#)