

3605^{Q&As}

Avaya Ethernet Routing Switch Implementation and Maintenance Exam

Pass Avaya 3605 Exam with 100% Guarantee

Free Download Real Questions & Answers **PDF** and **VCE** file from:

<https://www.pass2lead.com/3605.html>

100% Passing Guarantee
100% Money Back Assurance

Following Questions and Answers are all new published by Avaya
Official Exam Center

-  **Instant Download** After Purchase
-  **100% Money Back** Guarantee
-  **365 Days** Free Update
-  **800,000+** Satisfied Customers



QUESTION 1

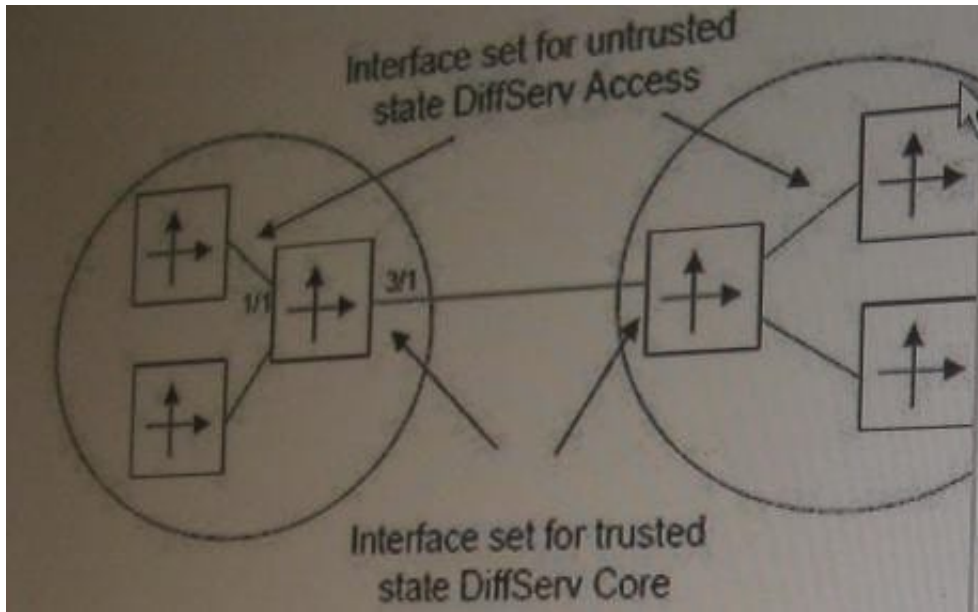
During the installation of the unified access solution, the IP address of the wireless switch interface needs to be configured on the ERS 8000. Which IP address must be used in the configuration?

- A. Any valid IP address within the management VLAN subnet.
- B. Any valid IP address within the unified access VLAN.
- C. The switch CLIP (loopback) address.
- D. Any reachable valid IP address.

Correct Answer: C

QUESTION 2

Which commands will configure the labeled Ethernet ports appropriately?



- A. Config Ethernet 3/1 enable-diffserv trueconfig Ethernet 1/1 access-diffserv true
- B. Config Ethernet 3/1 enable-diffserv trueconfig Ethernet 1/1 access-diffserv false
- C. Config Ethernet 1/1, 3/1 enable-diffserv trueconfig Ethernet 1/1 access-diffserv true
- D. Config Ethernet 3/1 enable-diffserv trueconfig Ethernet 3/1 access- diffserv true

Correct Answer: C

QUESTION 3

Which statement describe step in provisioning SPBM in an Enterprise network?

- A. IP addresses on the core links.
- B. Enable SPBM and IS-IS globally on all nodes and on the core facing links.
- C. Configure the MAC table.
- D. Configure L2 and L3 VSNs on the core SPBM nodes.

Correct Answer: B

QUESTION 4

One of the benefits of the Ethernet Routing switch (ERS) 8300 switch is its ability to provide power-over-Ethernet (PoE). When implementing PoE on the ERS 8300 there are certain power supply requirements to consider. The 8301AC produces 1140W and 1770W and the 8302AC produces 850W and 1400W depending on the input voltage for both cases.

If there are eight 8648TX-PWR modules in a chassis, each needing 200W for Powered Devices (PI)) which power supply configuration is recommended?

- A. One 8301AC power supply with 240VAC input voltage
- B. Two 8302AC power supplies with 120VAC input voltage
- C. Three 8302AC power supplies with 240VAC input voltage
- D. Two 8301AC and one 8302AC for redundancy with 240VAC input voltage

Correct Answer: C

QUESTION 5

A technician is configuring an Ethernet routing switch (ERS)-24T-PWR, and to add ports 10 through 20 to VLAN 100. Which ACLI command is used to accomplish this task?

- A. 5520-24-PWR (config) # vlan members add 100 10-20
- B. 5520-24-PWR (config) # vlan 100 add members 10-20
- C. 5520-24-PWR (config-vlan) # members add 100 10-20
- D. 5520-24-PWR (config-if) #vlan 100 add members 10-20

Correct Answer: A