

4A0-100^{Q&As}

Alcatel-Lucent Scalable IP Networks

Pass Alcatel-Lucent 4A0-100 Exam with 100% Guarantee

Free Download Real Questions & Answers **PDF** and **VCE** file from:

<https://www.pass2lead.com/4a0-100.html>

100% Passing Guarantee
100% Money Back Assurance

Following Questions and Answers are all new published by Alcatel-Lucent Official Exam Center

- ⚙️ **Instant Download** After Purchase
- ⚙️ **100% Money Back** Guarantee
- ⚙️ **365 Days** Free Update
- ⚙️ **800,000+** Satisfied Customers



QUESTION 1

Which of the following statements about router R1 is TRUE?



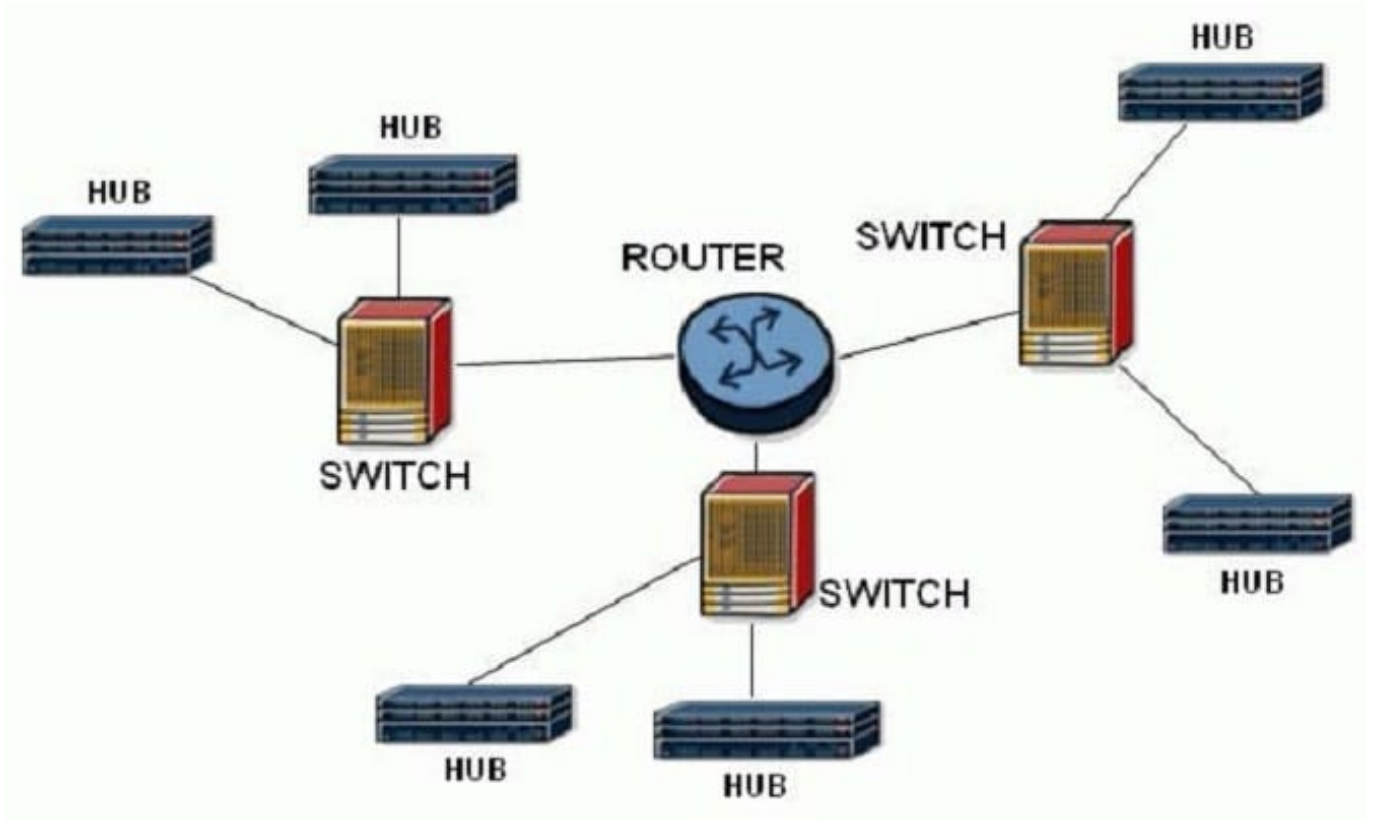
- A. Router R1 is an iLER for both LSPs.
- B. Router R1 is an eLER for both LSPs.
- C. Router R1 is an iLER for LSP A and an eLER for LSP B.
- D. Router R1 is an iLER for LSP B and an eLER for LSP A.

Correct Answer: C

QUESTION 2

An Ethernet Local Area Network (LAN) consists of the components shown in the diagram.

How many broadcast and collision domains are on this LAN?



- A. 9 broadcast domains, 3 collision domains.
- B. 3 broadcast domains, 3 collision domains.
- C. 3 broadcast domains, 9 collision domains.
- D. 1 broadcast domain, 9 collision domains.

Correct Answer: C

QUESTION 3

Which of the following statements is TRUE about ICMP?

- A. An IP datagram is encapsulated within an ICMP header.
- B. ICMP messages can only be generated by routers.
- C. ICMP messages are encapsulated within an IP datagram.
- D. ICMP guarantees delivery of a message.

Correct Answer: C

QUESTION 4

Which of the following best describes a hub?

- A. A device used to connect cables with signal amplification.
- B. A device that receives and replicates data without Layer 2 header inspection.
- C. A device that receives and forwards data based on the MAC destination address.
- D. A device that receives and forwards data based on the Layer 3 destination address.

Correct Answer: B

QUESTION 5

With a subnet mask of 255.255.255.224, which of the IP addresses below are valid host addresses? (Choose all that apply)

- A. 17.23.119.63
- B. 87.99.12.159
- C. 95.11.22.93
- D. 192.11.25.87

Correct Answer: CD

[Latest 4A0-100 Dumps](#)

[4A0-100 Exam Questions](#)

[4A0-100 Braindumps](#)