

4A0-105^{Q&As}

Alcatel-Lucent Virtual Private LAN Services

Pass Alcatel-Lucent 4A0-105 Exam with 100% Guarantee

Free Download Real Questions & Answers **PDF** and **VCE** file from:

<https://www.pass2lead.com/4a0-105.html>

100% Passing Guarantee
100% Money Back Assurance

Following Questions and Answers are all new published by Alcatel-Lucent Official Exam Center

- ⚙️ **Instant Download** After Purchase
- ⚙️ **100% Money Back** Guarantee
- ⚙️ **365 Days** Free Update
- ⚙️ **800,000+** Satisfied Customers



QUESTION 1

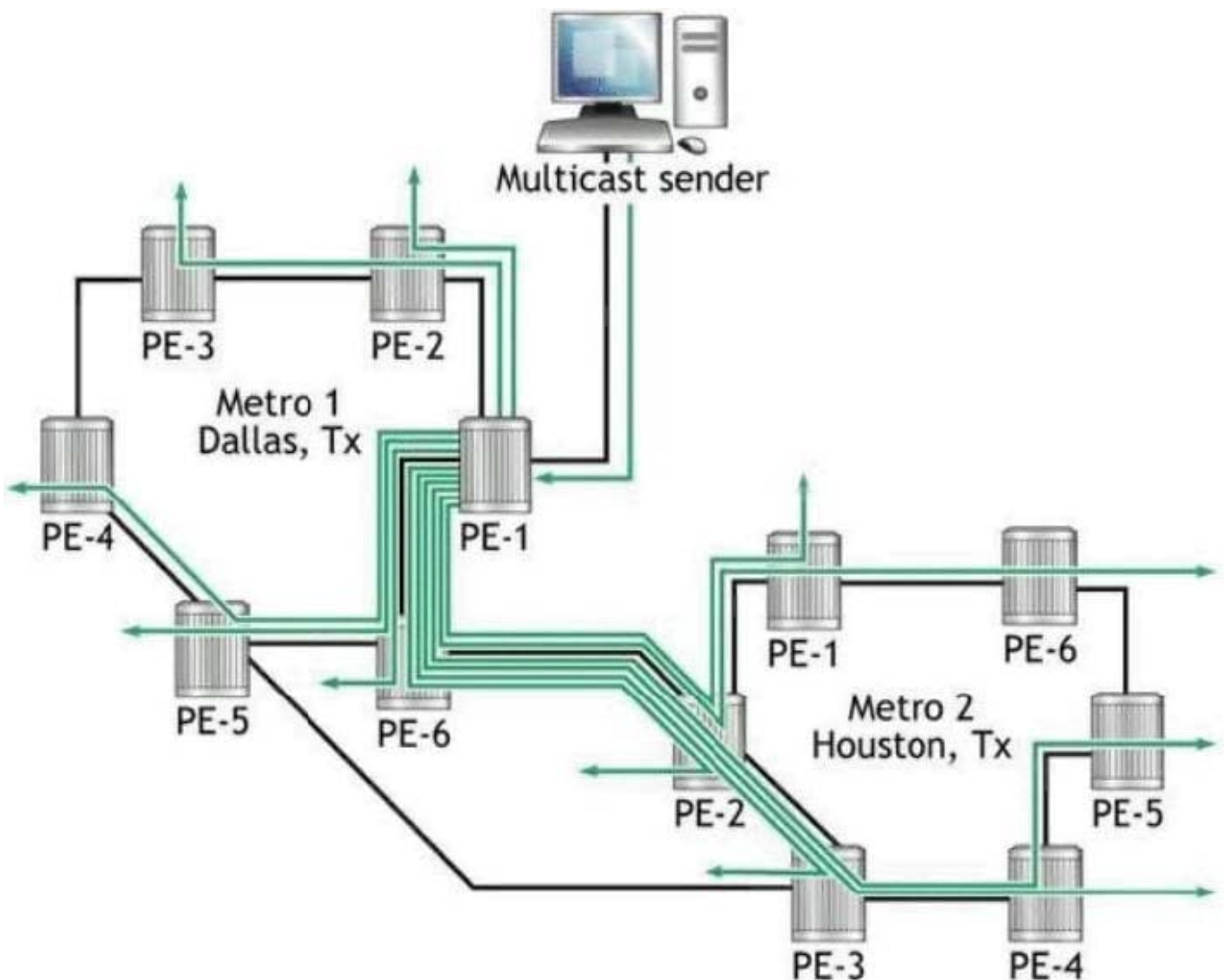
What are the advantages of running a physical ring topology with a mesh of mesh-SDPs? (Choose 2)

- A. STP can be used to break the loop.
- B. STP is not required to break the loop because of split-horizon rules.
- C. If the traffic is primarily multicast, a full mesh of SDPs is a simple and efficient design.
- D. If the traffic is primarily Unicast, a full mesh of SDPs is a simple and efficient design.

Correct Answer: BD

QUESTION 2

Click on the exhibit below.



Assume PE-1 has a mesh-sdp configured to every PE node in both Metro networks. What could be done to prevent the bandwidth replication between Metro 1 and Metro 2?

- A. PE-1 must be configured with mesh-SDPs to every node receiving the multicast traffic. There is no way to reduce the replication or bandwidth.
- B. PE nodes in Metro 1 could be configured with mesh-SDPs. PE nodes in Metro 2 would be configured with mesh-SDPs. However, the connection between Metro networks (PE-2 to PE-6) can be configured with a spoke-sdp. This would reduce the replication and bandwidth used on the link between Metro networks. This also reduces the replication required by PE-1.
- C. PE-1 can be configured with spoke-SDPs to every PE node in both Metro networks. This will reduce the bandwidth and replication within the network.
- D. PE nodes in Metro 1 could be configured with spoke-SDPs. PE nodes in Metro 2 would be configured with spoke-SDPs. However, the connection between Metro networks (PE-2 to PE-6) can be configured with a mesh-sdp. This would reduce the replication and bandwidth used on the link between Metro networks. This also reduces the replication required by PE-1.

Correct Answer: B

QUESTION 3

An MC-LAG is configured with default parameters. When a failed interface recovers, the active link reverts to the restored interface.

- A. TRUE
- B. FALSE

Correct Answer: B

QUESTION 4

A LAG is configured with LACP passive mode enabled. When will LACP packets be sent?

- A. On initialization and then every hello-interval.
- B. Only after receiving LACP packets.
- C. Every 1 second.
- D. Never.

Correct Answer: B

QUESTION 5

If the command "disable-learning" has been added at the VPLS level, then MAC entries which have already been

learned will not be aged.

A. TRUE

B. FALSE

Correct Answer: B

[Latest 4A0-105 Dumps](#)

[4A0-105 PDF Dumps](#)

[4A0-105 Braindumps](#)