

4A0-C01^{Q&As}

Nokia NRS II Composite Exam

Pass Nokia 4A0-C01 Exam with 100% Guarantee

Free Download Real Questions & Answers **PDF** and **VCE** file from:

<https://www.pass2lead.com/4a0-c01.html>

100% Passing Guarantee
100% Money Back Assurance

Following Questions and Answers are all new published by Nokia
Official Exam Center

- ⚙️ **Instant Download** After Purchase
- ⚙️ **100% Money Back** Guarantee
- ⚙️ **365 Days** Free Update
- ⚙️ **800,000+** Satisfied Customers



QUESTION 1

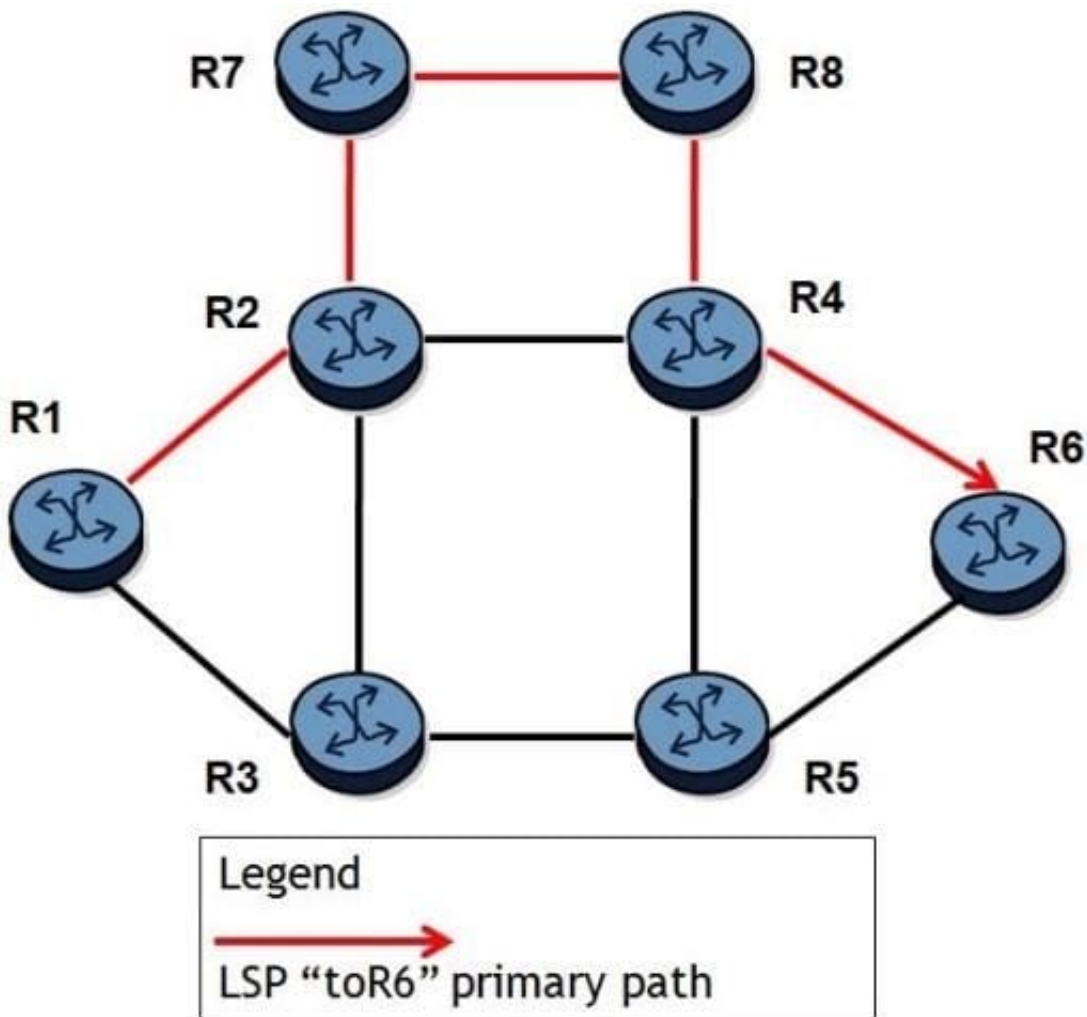
An OSPF backbone area contains Type 5 LSAs. If an attached area receives only Summary LSAs from the backbone area, what type of area is the attached area?

- A. Normal
- B. Stub
- C. Totally stubby
- D. Totally NSSA

Correct Answer: B

QUESTION 2

Click on the exhibit.



A fully loose LSP "toR6" is configured. All links have the same cost and all routers are Alcatel-Lucent 7750 SRs. The

LSP currently traverses the path R1-R2-R7-R8-R4-R6 and the resignal timer is enabled. Which of the following about this LSP is FALSE?

- A. The LSP will switchover to another path if a failure occurs.
- B. The LSP will switchover to a better path as soon as it is available.
- C. CSPF must be enabled for this LSP to attempt to find a better path.
- D. The LSP will switchover to a better path in a MBB fashion.

Correct Answer: B

QUESTION 3

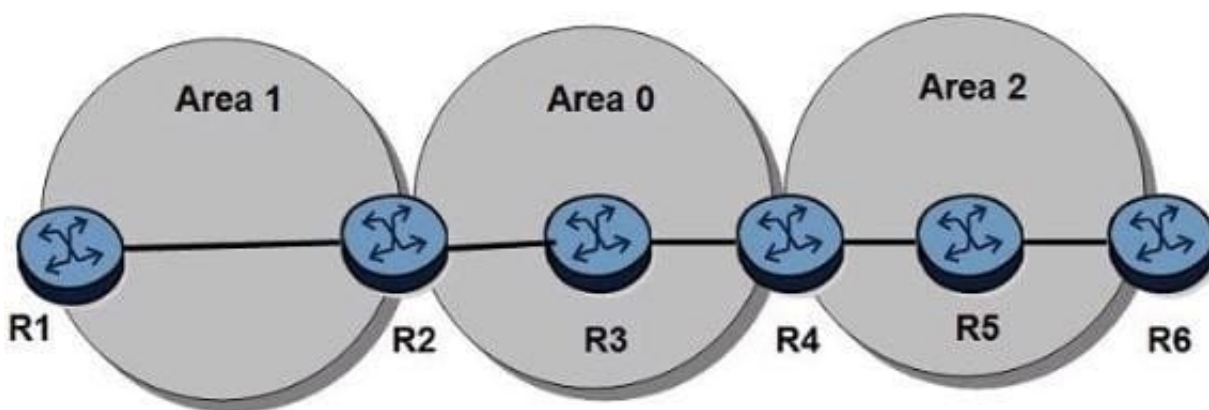
A customer has sites on three different Alcatel-Lucent 7750 SRs. The customer requires a fully-meshed VPLS. Which of the following is TRUE?

- A. Each router requires 1 SDP.
- B. Each router requires 2 SDPs.
- C. Each router requires 3 SDPs.
- D. Each router requires 6 SDPs.

Correct Answer: B

QUESTION 4

Click on the exhibit.



An LDP-over-RSVP tunnel is established between routers R1 and R6. There is a VPN service running between routers R1 and R6. Which of the following is TRUE?

- A. Router R4 swaps both the RSVP-TE LSP label and LDP transport label received with new labels,
- B. Router R4 swaps the VPN service label received with a new label.

- C. Router R4 uses the same RSVP-TE LSP label as the one received from router R3.
- D. Router R4 uses the same LDP transport label as the one received from router R3.

Correct Answer: A

QUESTION 5

Which of the following regarding the IS-IS CSNP is FALSE?

- A. CSNPs are used to maintain consistency in the Link-State database.
- B. CSNPs are advertised before an adjacency is formed with another router.
- C. There are two types of CSNPs: Level 1 and Level 2.
- D. The CSNP lists the LSPs in the router's database

Correct Answer: B

[Latest 4A0-C01 Dumps](#)

[4A0-C01 Study Guide](#)

[4A0-C01 Exam Questions](#)