

4A0-C01^{Q&As}

Nokia NRS II Composite Exam

Pass Nokia 4A0-C01 Exam with 100% Guarantee

Free Download Real Questions & Answers **PDF** and **VCE** file from:

<https://www.pass2lead.com/4a0-c01.html>

100% Passing Guarantee
100% Money Back Assurance

Following Questions and Answers are all new published by Nokia
Official Exam Center

-  **Instant Download** After Purchase
-  **100% Money Back** Guarantee
-  **365 Days** Free Update
-  **800,000+** Satisfied Customers



QUESTION 1

Which of the following statements about VPRN is NOT true? (Choose 2)

- A. VPRN is an IP service that connects multiple sites in a single routed domain over the provider-managed IP/MPLS network.
- B. Each VPRN consists of a set of customer sites that must connect to the same PE router
- C. In a VPRN service, each customer router becomes a routing peer to other customer routers
- D. VPRN provides customer routers with transparent IP connectivity without knowledge of the MPLS core

Correct Answer: BC

QUESTION 2

An LSP path is configured as follows:

- Shared-explicit reservation style
- Make-before-break (MBB) enabled
- 500Mbps bandwidth reserved on a 1Gbps link

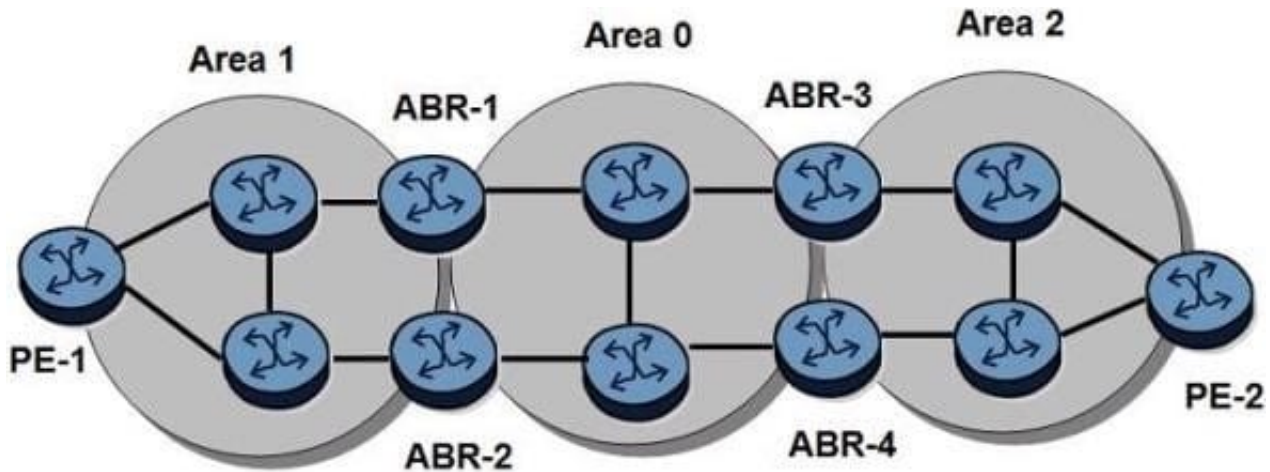
With 100Mbps of unreserved bandwidth remaining, the operator increases the LSP-path's bandwidth reservation to 900Mbps. What happens to the existing LSP?

- A. CSPF looks for the delta bandwidth, taking down the first path if necessary.
- B. CSPF looks for the delta bandwidth, implementing make-before-break.
- C. After 5 failed attempts to find the bandwidth requested, the head end disables the LSP.
- D. CSPF looks for the entire bandwidth requested, implementing MBB.

Correct Answer: B

QUESTION 3

Click on the exhibit.



An LDP-over-RSVP tunnel is established between PE-1 and PE-2. Which of the following is NOT required to protect the LDP-over-RSVP tunnel?

- A. PE-1 requires T-LDP sessions to both ABR-1 and ABR-2.
- B. PE-1 requires a full mesh of RSVP-TE LSPs to all routers in area 1.
- C. ABR-1 requires T-LDP sessions to all ABRs in area 0.
- D. PE-1 requires fast reroute enabled on all RSVP-TE LSPs.

Correct Answer: B

QUESTION 4

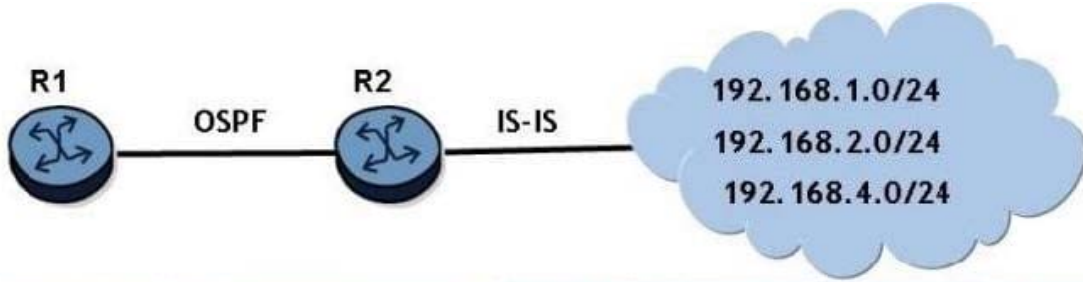
On an Alcatel-Lucent 7750 SR, which of the following about a VPLS is FALSE?

- A. By default, the VC ID on the mesh SDPs of a VPLS are set to the service ID.
- B. A VPLS appears to the customer as a direct Ethernet connection.
- C. Mesh SDPs are used for VPLSes to avoid loops.
- D. By default, T-LDP is used for signaling service labels.

Correct Answer: B

QUESTION 5

Click on the exhibit.



```
*A:AIIRP_R02>config>router>ospf# info
-----
asbr
export "isis-ospf"
area 0.0.0.0
  interface "system"
    no shutdown
  exit
  interface "toR1"
    interface-type point-to-point
    no shutdown
  exit
exit
-----
*A:AIIRP_R02>config>router>ospf#
```

```
*A:AIIRP_R02>config>router>policy-options# info
-----
prefix-list "no-redist"
  prefix 192.168.2.0/24 exact
exit
prefix-list "redist-16"
  prefix 192.168.0.0/16 longer
exit
policy-statement "isis-ospf"
  entry 10
    from
      protocol isis
      prefix-list "redist-16"
    exit
    action accept
  exit
  entry 20
    from
      protocol isis
      prefix-list "no-redist"
    exit
    action reject
  exit
exit
-----
*A:AIIRP_R02>config>router>policy-options#
```

Router R2 learns the networks shown from IS-IS. Router R2 is configured to redistribute routes from IS-IS to OSPF as shown. Assume the OSPF and IS-IS adjacencies are operational.

How many OSPF Type 5 LSAs will router R1 receive from router R2?

- A. 0
- B. 1
- C. 2
- D. 3
- E. 4

Correct Answer: D