

50-696^{Q&As}

Foundations of Novell Open Enterprise Server NetWare

Pass Novell 50-696 Exam with 100% Guarantee

Free Download Real Questions & Answers **PDF** and **VCE** file from:

<https://www.pass2lead.com/50-696.html>

100% Passing Guarantee
100% Money Back Assurance

Following Questions and Answers are all new published by Novell
Official Exam Center

- ⚙️ **Instant Download** After Purchase
- ⚙️ **100% Money Back** Guarantee
- ⚙️ **365 Days** Free Update
- ⚙️ **800,000+** Satisfied Customers



QUESTION 1

The LMorgan user object resides in the LG DA container in an eDirectory tree named .DA-TREE . The MWaters and the MFinn users also reside in the LGA container. LMorgan is a member of the Sales.LGA. DA group object. The DA2 server also resides in the LGA. DA container. The LMorgan user is security equivalent to which objects in the tree? (Choose 2.)

- A. The Sales group.
- B. The MWaters user.
- C. The LGA container.
- D. The MFinn user.
- E. The DA2 server object.

Correct Answer: AC

QUESTION 2

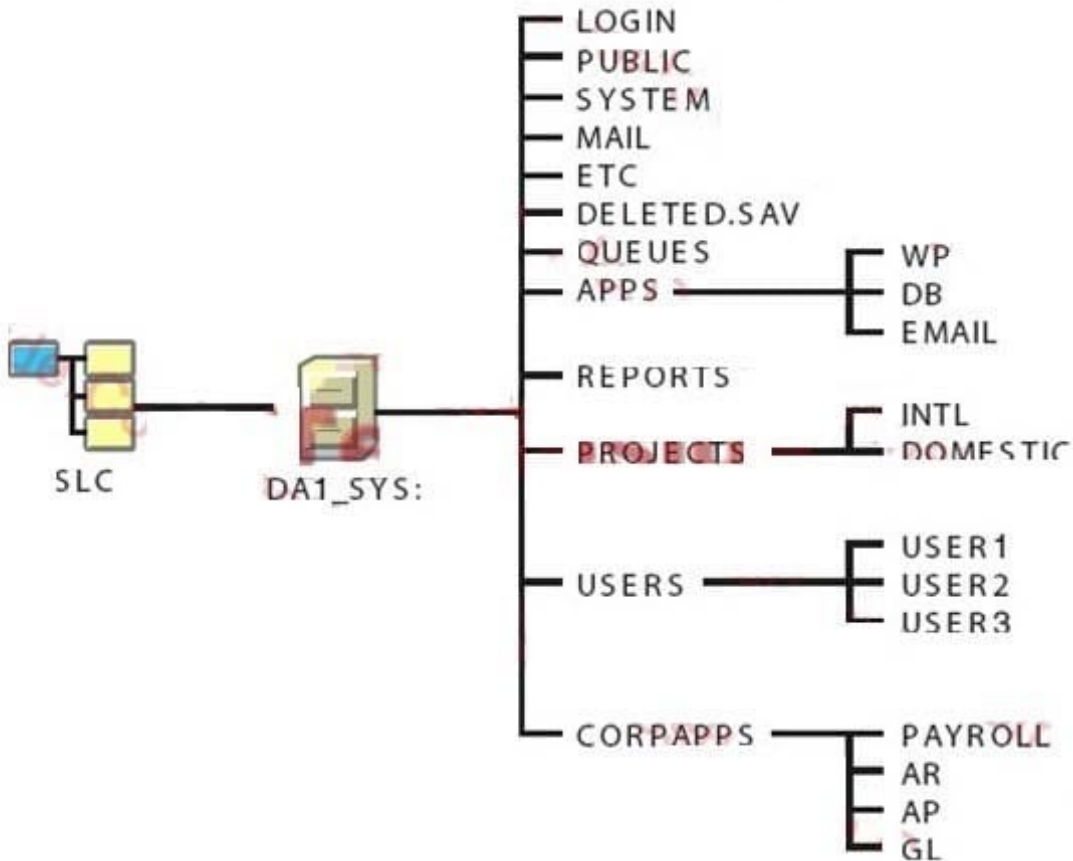
Which firewall technology translates private IP addresses into registered IP addresses, reducing the total number of registered IP addresses required on your network?

- A. Application Proxy
- B. Virtual Private Network
- C. Packet-Filtering Firewall
- D. Network Address Translation

Correct Answer: D

QUESTION 3

Click the Exhibit button to begin.



Which elements of the file system design shown in the exhibit violate Novell's recommendations? (Choose 2.)

- A. The LOGIN directory isn't needed.
- B. The design should have more than one volume.
- C. The ETC directory should be placed under the USERS directory.
- D. The APPS directory should be placed under the SYSTEM directory.
- E. The QUEUES directory should be moved under the PUBLIC directory.
- F. User and application directories should be moved to a volume other than SYS.

Correct Answer: BF

QUESTION 4

What properties are added to User objects when the eDirectory schema is extended to support iFolder? (Choose 2.)

- A. iFolderQuota
- B. iFolderUserName
- C. iFolderPassword

- D. iFolderLDAPServer
- E. iFolderServerName
- F. iFolderHomeDirectory

Correct Answer: AE

QUESTION 5

A new employee has been hired by your company. She will be a member of a workgroup that creates your company's marketing materials.

All workgroup files are stored on the WIDGET2 server in the MASTER directory on the DATA volume. She needs to be able to open and read existing files as well as modify them. She will also need to be able to create new files as well as

delete old files. She will need to modify the file names of existing files from time to time. What rights assignments does she need to the MASTER directory to accomplish her work?

- A. Read
- B. Read, File Scan
- C. Read, Write, Create
- D. Read, Access Control
- E. Read, Write, File Scan
- F. Read, Write, Create, Erase
- G. Read, Write, Create, Erase, Modify

Correct Answer: G

[Latest 50-696 Dumps](#)

[50-696 Practice Test](#)

[50-696 Study Guide](#)