

50-696^{Q&As}

Foundations of Novell Open Enterprise Server NetWare

Pass Novell 50-696 Exam with 100% Guarantee

Free Download Real Questions & Answers **PDF** and **VCE** file from:

<https://www.pass2lead.com/50-696.html>

100% Passing Guarantee
100% Money Back Assurance

Following Questions and Answers are all new published by Novell
Official Exam Center

- ⚙️ **Instant Download** After Purchase
- ⚙️ **100% Money Back** Guarantee
- ⚙️ **365 Days** Free Update
- ⚙️ **800,000+** Satisfied Customers



QUESTION 1

Which is the third file processed as the OES NetWare operating system boots?

- A. SERVER.EXE
- B. CONFIG.NCF
- C. STARTUP.NCF
- D. STARTUP.CFG
- E. AUTOEXEC. BAT
- F. AUTOEXEC. NCF

Correct Answer: C

QUESTION 2

On an OES NetWare server, _____ is used as the default file system.

Correct Answer: NSS OR Novell Storage Services

QUESTION 3

Which components are OES NetWare applications? (Choose 2.)

- A. DS.NLM
- B. IDEHD. CDM
- C. 3C90X.LAN
- D. NE2000.LAN
- E. SCSICD. CDM
- F. APACHE2.NLM
- G. STARTUP.NCF
- H. AUTOEXEC. NCF

Correct Answer: AF

QUESTION 4

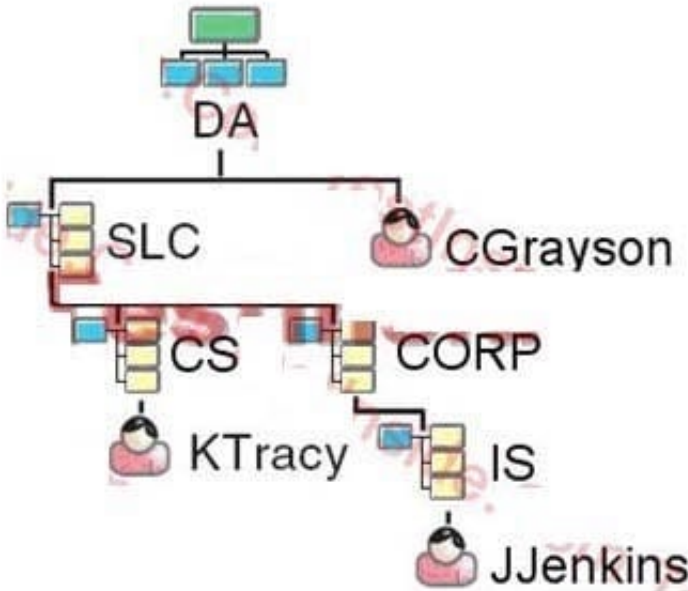
You've been assigned to implement iFolder throughout your company. You've installed a new OES NetWare server, named DA28, in your eDirectory tree to provide iFolder services. The IP address of DA28 is 192.168.1.28. During the server install, you selected the iFolder patterned deployment. You now need to configure iFolder on the server. Which URL should you use to access the iFolder Management Console?

- A. <https://192.168.1.28:8009/iFolder>
- B. <https://192.168.1.28/iFolderAdmin>
- C. <https://192.168.1.28/iFolder/Admin>
- D. <https://192.168.1.28:443/iFolder/Admin>
- E. <https://192.168.1.28/iFolderServer/Admin>
- F. <https://192.168.1.28:8009/iFolderServer/Admin>
- G. <https://192.168.1.28/nps/iManager/iFolderAdmin>

Correct Answer: E

QUESTION 5

Click the Exhibit button to begin.



Your current context is .CORP.SLC. D

- A. What is the relative distinguished name of the JJenkins user object?
- B. JJenkins
- C. JJenkins.IS
- D. IS.JJenkins

E. Jjenkins.IS.CORP

F. CORP.IS.Jjenkins

G. Jjenkins.IS.CORP.SLC

H. Jjenkins.IS.CORP.SLC. DA

Correct Answer: B

[50-696 PDF Dumps](#)

[50-696 Study Guide](#)

[50-696 Exam Questions](#)