

600-660^{Q&As}

Implementing Cisco Application Centric Infrastructure - Advanced

Pass Cisco 600-660 Exam with 100% Guarantee

Free Download Real Questions & Answers **PDF** and **VCE** file from:

<https://www.pass2lead.com/600-660.html>

100% Passing Guarantee
100% Money Back Assurance

Following Questions and Answers are all new published by Cisco
Official Exam Center

- ⚙️ **Instant Download** After Purchase
- ⚙️ **100% Money Back** Guarantee
- ⚙️ **365 Days** Free Update
- ⚙️ **800,000+** Satisfied Customers



QUESTION 1

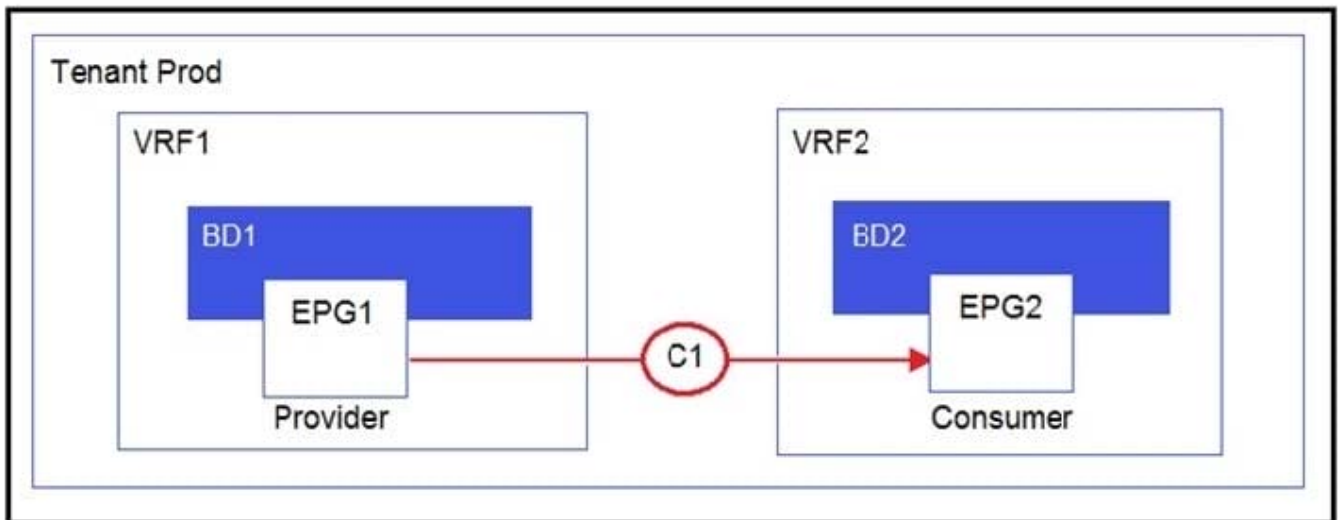
An engineer configures a new Cisco ACI Multi-Site Orchestrator node to join an MSO cluster. Which two components are necessary to ensure that the new node has IP connectivity in this configuration? (Choose two.)

- A. Cisco ACI spine interfaces that are connected to ISN
- B. Cisco APICs over the OOB management network
- C. existing Cisco ACI Multi-Site Orchestrator node
- D. management IP of ESXi hosts where the controllers are deployed
- E. OOB interface of ISN

Correct Answer: BC

Reference: <https://www.cisco.com/c/en/us/solutions/collateral/data-center-virtualization/application-centric-infrastructure/white-paper-c11-739609.html>

QUESTION 2



Refer to the exhibit. Which two configurations enable inter-VRF communication? (Choose two.)

- A. Set the subnet scope to Shared Between VRFs
- B. Enable Advertise Externally under the subnet scope
- C. Change the contract scope to Tenant
- D. Change the subject scope to VRF
- E. Export the contract and import as a contract interface

Correct Answer: BE

QUESTION 3

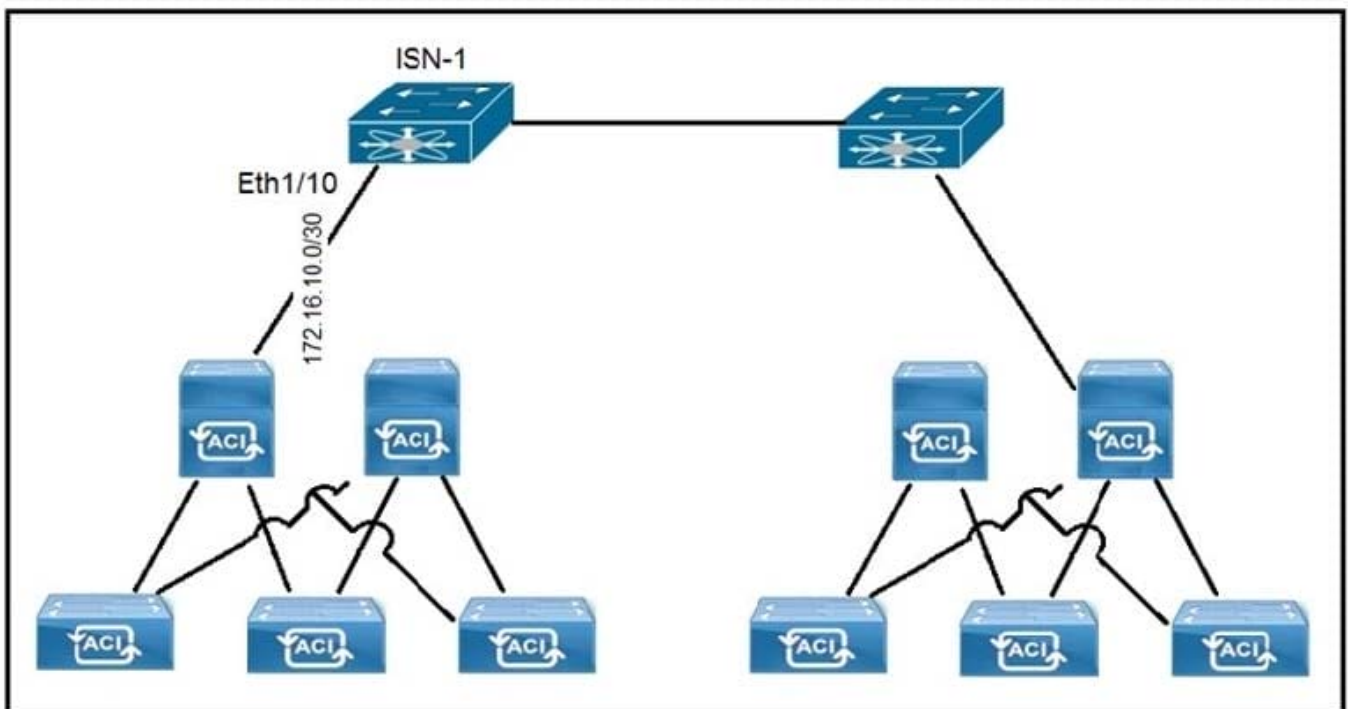
Where are STP BPDUs flooded in Cisco ACI fabric?

- A. in the bridge domain VLAN
- B. in the native VLAN ID
- C. in the access encapsulation VLAN part of different VLAN pools
- D. in the VNID that is assigned to the FD VLAN

Correct Answer: A

Reference: <https://www.cisco.com/c/en/us/solutions/collateral/data-center-virtualization/application-centric-infrastructure/white-paper-c11-737909.html>

QUESTION 4



Refer to the exhibit. A customer implements Cisco ACI Multi-Site with default MTU settings between two sites. Which configuration should be applied on the interface Eth1/10 on the ISN-1 device?

- A.
- B.
- C.

D.

Correct Answer: A

QUESTION 5

An engineer configures a Cisco ACI Multi-Pod for disaster recovery. Which action should be taken for the new nodes to be discoverable by the existing Cisco APICs?

- A. Enable subinterfaces with dot1q tagging on all links between the IPN routers.
- B. Configure IGMPv3 on the interfaces of IPN routers that face the Cisco ACI spine.
- C. Enable DHCP relay on all links that are connected to Cisco ACI spines on IPN devices.
- D. Configure BGP as the underlay protocol in IPN.

Correct Answer: B

[600-660 PDF Dumps](#)

[600-660 Practice Test](#)

[600-660 Braindumps](#)