

CLAD^{Q&As}

Certified LabVIEW Associate Developer Examination

Pass NI CLAD Exam with 100% Guarantee

Free Download Real Questions & Answers **PDF** and **VCE** file from:

<https://www.pass2lead.com/clad.html>

100% Passing Guarantee
100% Money Back Assurance

Following Questions and Answers are all new published by NI Official Exam Center

- ⚙️ **Instant Download** After Purchase
- ⚙️ **100% Money Back** Guarantee
- ⚙️ **365 Days** Free Update
- ⚙️ **800,000+** Satisfied Customers



QUESTION 1

In what instance would you use the Probe tool rather than Highlight Execution?

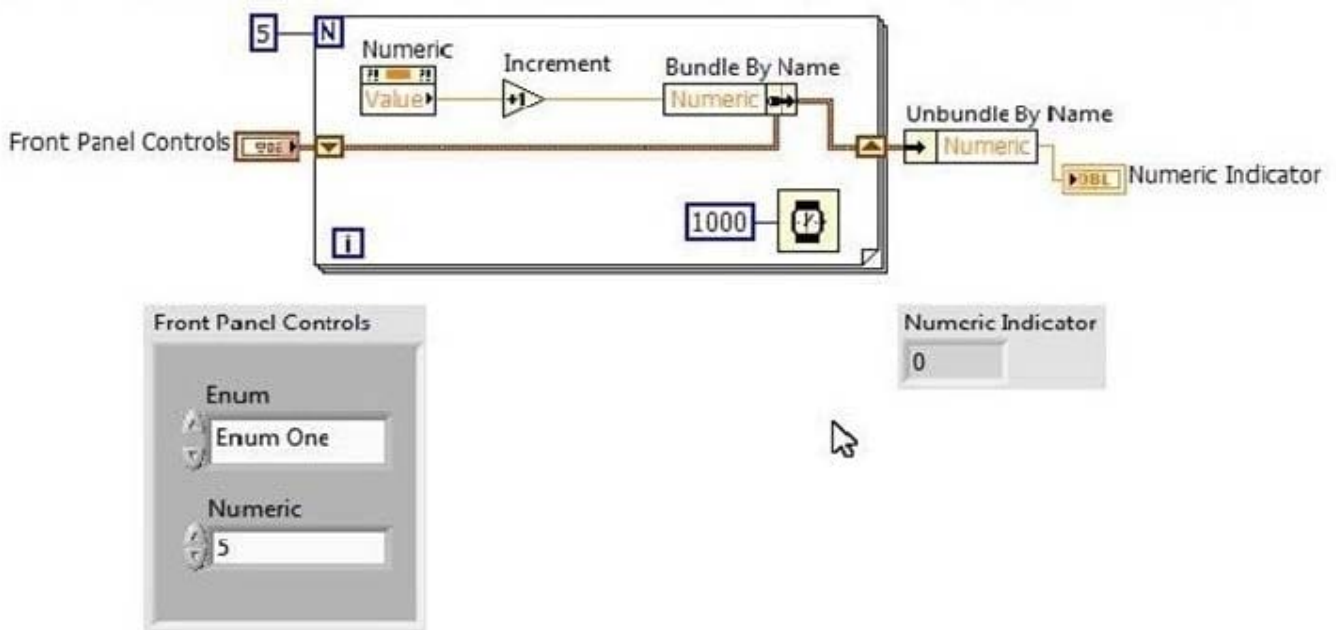
- A. To see the flow of data
- B. To see the value of a wire in real-time
- C. To look into a SubVI, as the process is running
- D. To slowdown the VI and show data values in wires

Correct Answer: B

QUESTION 2

The VI begins execution with the value of Numeric as 5, at the end of the 4th loop iteration (i=3), the user changes the front panel control Numeric to value 2.

What value will be displayed in the front panel Numeric indicator after the VI completes execution?



- A. 3
- B. 10
- C. 5
- D. 6

Correct Answer: C

QUESTION 3

Variants are used for all of the following but:

- A. Passing values between programs written with different compilers
- B. Allowing software to achieve a greater degree of generality
- C. Representing any data type
- D. Converting from fixed point to floating point data

Correct Answer: D

QUESTION 4

Which of the following is NOT a traditional debugging feature used to help find errors in a VI:

- A. Highlight Execution.
- B. Single Stepping
- C. Breakpoints
- D. Stop Values

Correct Answer: D

QUESTION 5

Which of the following is a manual step when creating a SubVI from a section of Code using Edit>Create SubVI?

- A. Select the section of the block diagram you want to convert to a SubVI
- B. Connect the controls and indicators on the front panel to terminals on the connector pane
- C. Assigning terminals to the appropriate indicators and controls
- D. Configure the Connector Pane to have enough terminals for all inputs and outputs

Correct Answer: A

Selected section of the block diagram is replaced with an icon for the subVI. Reference: <http://www.ni.com/white-paper/7593/en/>