

# CLAD<sup>Q&As</sup>

Certified LabVIEW Associate Developer Examination

## Pass NI CLAD Exam with 100% Guarantee

Free Download Real Questions & Answers **PDF** and **VCE** file from:

<https://www.pass2lead.com/clad.html>

100% Passing Guarantee  
100% Money Back Assurance

Following Questions and Answers are all new published by NI Official Exam Center

- ⚙️ **Instant Download** After Purchase
- ⚙️ **100% Money Back** Guarantee
- ⚙️ **365 Days** Free Update
- ⚙️ **800,000+** Satisfied Customers



**QUESTION 1**

A coercion dot indicates that:

- A. The data types are consistent
- B. A polymorphic operation will be performed on the data
- C. A data buffer is created to handle data conversion
- D. Data values are being coerced because they are out of range

Correct Answer: C

---

**QUESTION 2**

Which is the correct order for the signal to propagate through components when acquiring a signal?

- A. Sensor>Terminal Block>DAQ>LabVIEW
- B. DAQ>Sensor>Terminal Block>LabVIEW
- C. Terminal Block>LabVIEW>Sensor>DAQ
- D. Sensor>DAQ>Terminal Block>LabVIEW

Correct Answer: B

---

**QUESTION 3**

Which of the following describes a Tab Control?

- A. A control that outputs ASCII values equal to the selected tab label
- B. A type of enumerated control
- C. A control that outputs a cluster of the controls / indicators on the tabs
- D. A controls that outputs the tab order of the controls on the front panel

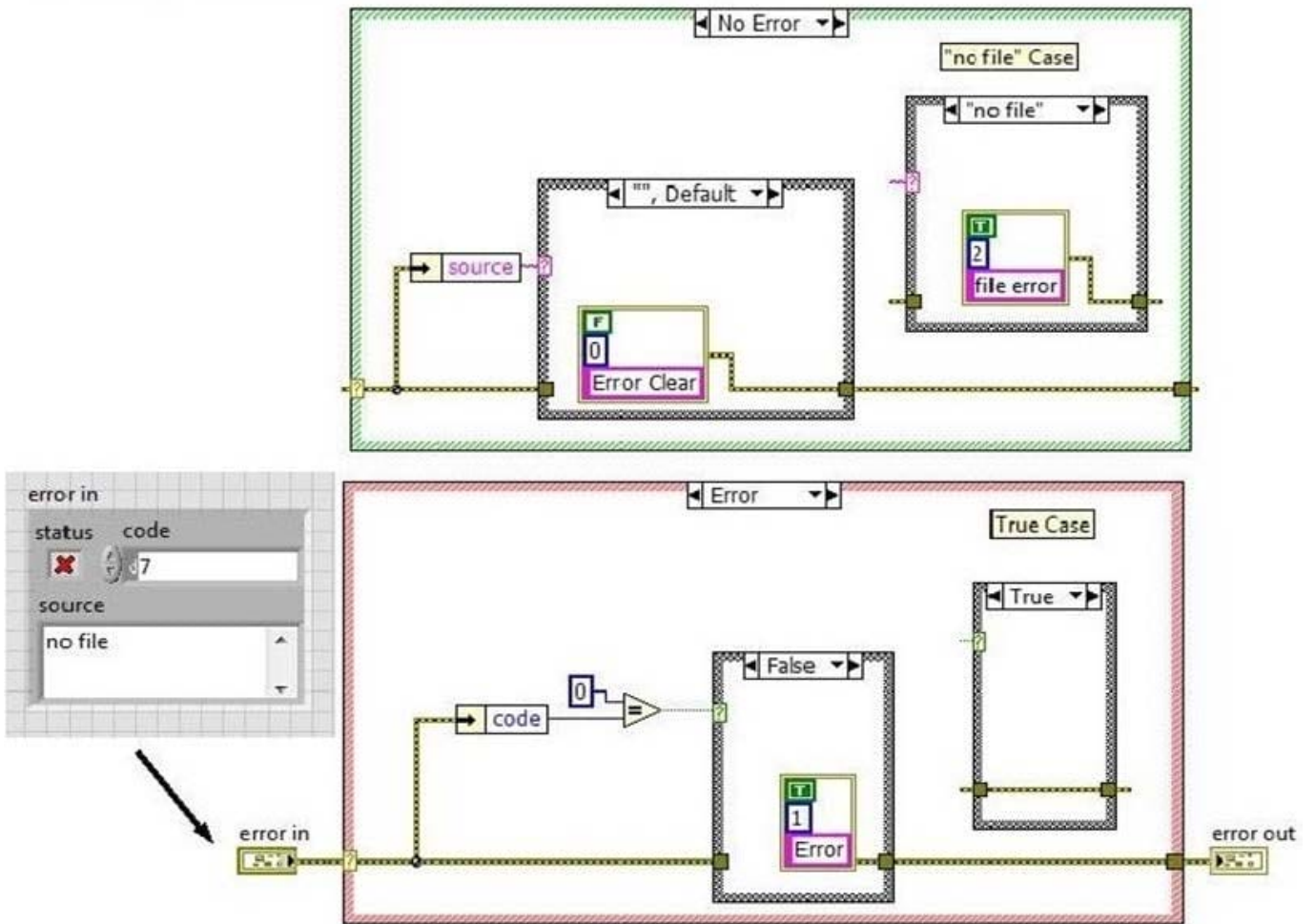
Correct Answer: B

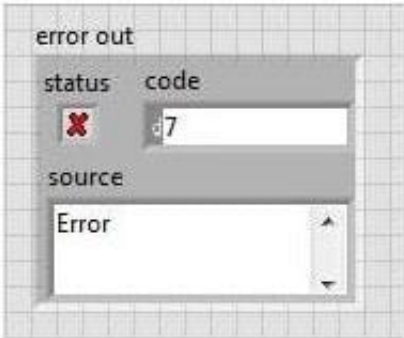
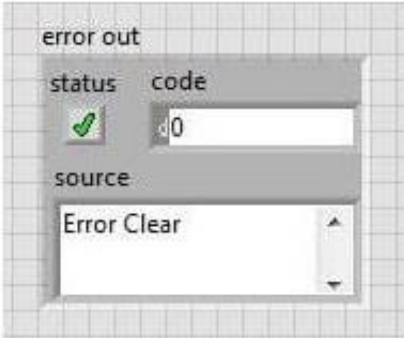
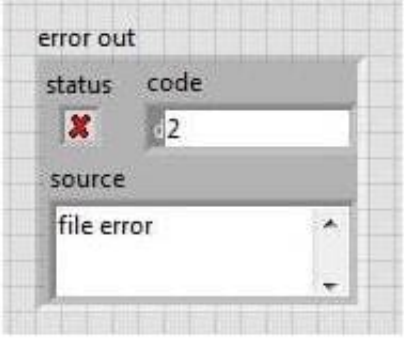
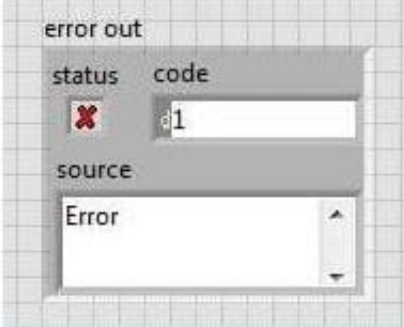
---

**QUESTION 4**

The following code executes with the error in control configured as shown.

What value will be displayed in the error out indicator when the VI completes execution?



- A. 
- B. 
- C. 
- D. 

A. Option A

B. Option B

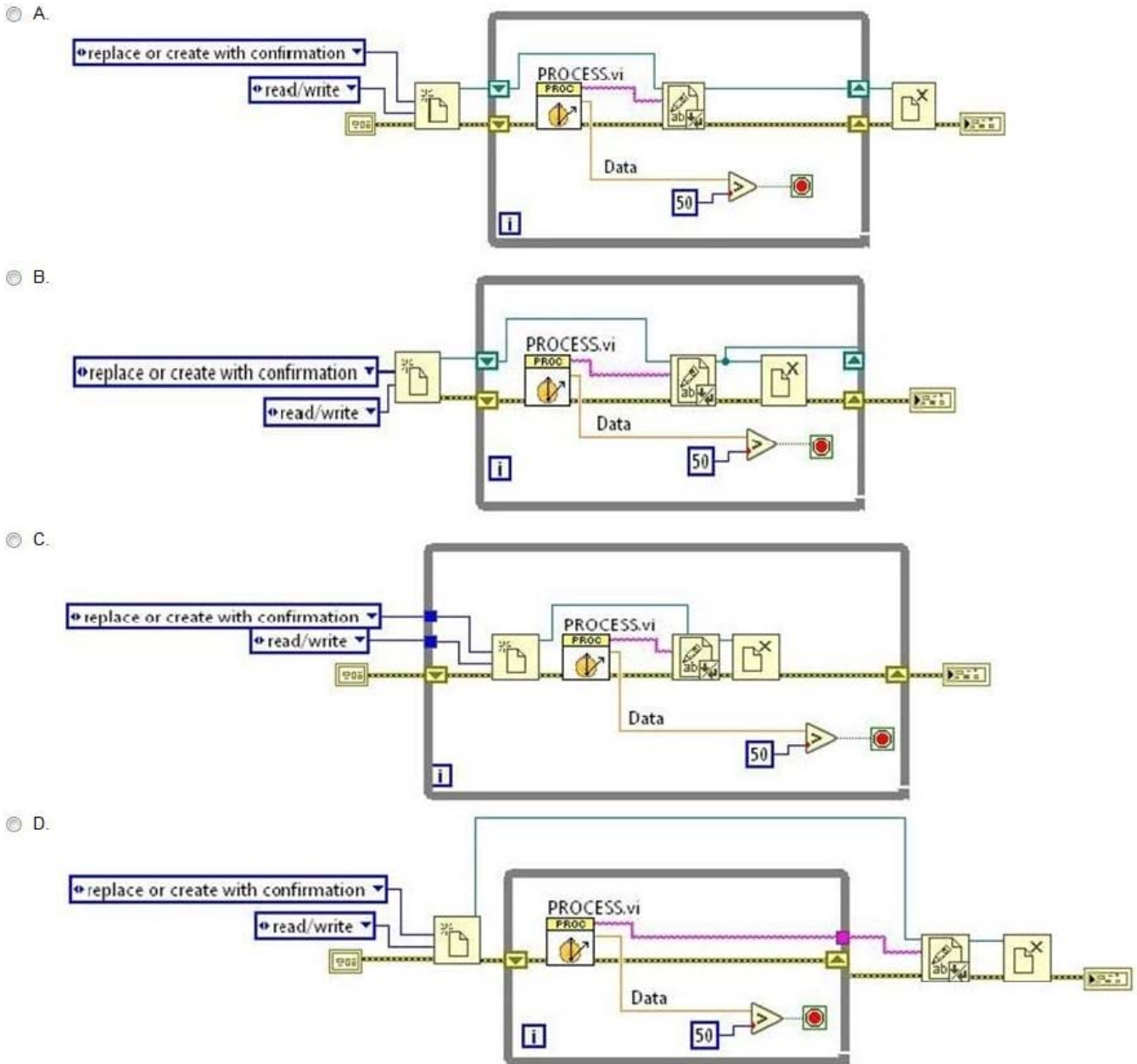
C. Option C

D. Option D

Correct Answer: A

**QUESTION 5**

The SubVI PROCESS represents a test that outputs one line of text each time the test runs. When the VI stops, we need to have a log showing every line of data output from PROCESS. Which of the following VIs meets all these requirements?



- A. Option A
- B. Option B
- C. Option C

D. Option D

Correct Answer: C

[Latest CLAD Dumps](#)

[CLAD Practice Test](#)

[CLAD Exam Questions](#)