

HP0-J67^{Q&As}

Architecting Multi-site HP Storage Solutions

Pass HP HP0-J67 Exam with 100% Guarantee

Free Download Real Questions & Answers **PDF** and **VCE** file from:

<https://www.pass2lead.com/hp0-j67.html>

100% Passing Guarantee
100% Money Back Assurance

Following Questions and Answers are all new published by HP Official Exam Center

-  **Instant Download** After Purchase
-  **100% Money Back** Guarantee
-  **365 Days** Free Update
-  **800,000+** Satisfied Customers



QUESTION 1

A backup administrator has an HP D2D4112 G2 Backup System, which was upgraded to 3.x software and uses HP Data Protector 7.01. The administrator is ready to implement HP StoreOnce Catalyst.

What should the administrator purchase so the existing infrastructure and software investment is maximized?

- A. HP Catalyst license for the existing HP StoreOnce system
- B. HP Data Protector license for Catalyst
- C. A new HP StoreOnce 4220 Backup System with HP Catalyst license
- D. A new HP StoreOnce B6200 Backup System with HP Catalyst license

Correct Answer: A

QUESTION 2

Your customer asks you to assist in designing a new cost effective storage solution. The solution will be used to store archive data. It must be able to replicate point-in-time copy of data at the primary site to a remote site.

The solution must provide block-level access and support Fibre Channel. There is very little rack space available at the primary site.

Which solution meets the customer requirements?

- A. HP Storevirtual
- B. HP EVA
- C. HP MSA
- D. HP 3PAR StoreServ

Correct Answer: C

QUESTION 3

A customer is planning to implement an HP StoreVirtual 4330FC Storage System. Which type of cable do they need to connect the storage system to the fabric?

- A. SC Fibre Channel
- B. LC Fibre Channel
- C. iSCSI
- D. SAS

Correct Answer: B

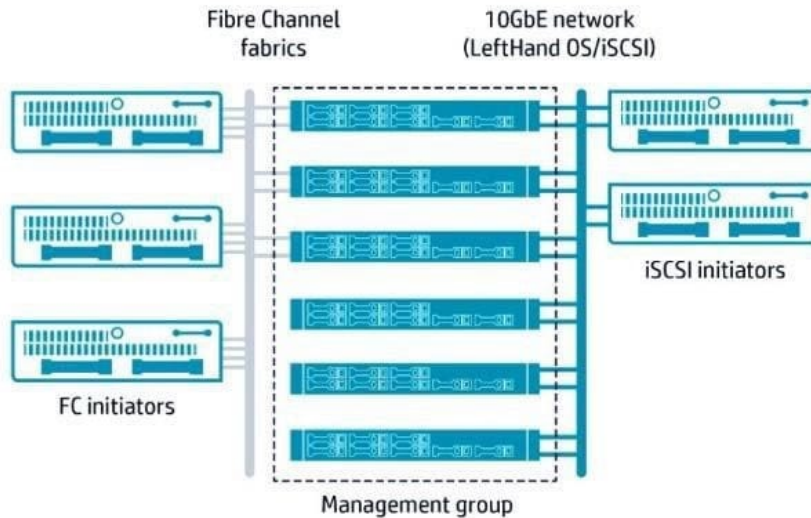


Figure 2. HP StoreVirtual 4030 FC Storage with iSCSI and Fibre Channel connectivity

The Fibre Channel ports on HP StoreVirtual are typically connected to two independent Fibre Channel fabrics in line with general Fibre Channel storage network best practices. Please consult the **HP SAN Design Reference Guide** on fabrics and fabric topologies. Fibre Channel connectivity on HP StoreVirtual requires at least two storage nodes in an HP StoreVirtual management group. This is primarily to provide two paths into each Fibre Channel fabric for high availability. Additional Fibre Channel enabled nodes in the management group are supported and provide additional paths to the application volumes.

Fibre Channel connectivity is only available on HP StoreVirtual 4330 FC Storage. Existing installations can be upgraded to allow for Fibre Channel connectivity; for more information refer to the "Fibre Channel connectivity for existing

QUESTION 4

A customer plans to implement an HP StoreOnce B6200 Backup System. The customer has two subnets that the backup system must utilize to communicate. What should be used to meet these requirements?

- A. DHCP for both subnets
- B. DHCP for one subnet and a static IP for the other
- C. a single network gateway for both subnets
- D. an IP address for each subnet

Correct Answer: C

QUESTION 5

A customer has an environment spanning two datacenters in a campus environment. The primary storage is an HP 3PAR StoreServ 10400 Storage system. Data is replicated between sites with an RPO of zero.

There has recently been a hurricane and extensive flooding. While the customer was not directly impacted, they are

now questioning whether they have adequate protection. You have been brought in to analyze the customer environment and make recommendations. You suggest creating a data center at a remote location and actively replicating data to it.

What are the implications of adding the third data center to the data network? (Select two)

- A. Jumbo Frames should be enabled
- B. The data network must support converged enhanced ethernet
- C. A new subnet must be added to interconnect the 3PAR arrays
- D. The data network must support Open Stack
- E. 10 GbE links are needed to interconnect to HP 3PAR StoreServ Arrays

Correct Answer: AC

[HP0-J67 Study Guide](#)

[HP0-J67 Exam Questions](#)

[HP0-J67 Braindumps](#)