

JN0-692^{Q&As}

Service Provider Routing and Switching Support, Professional

Pass Juniper JN0-692 Exam with 100% Guarantee

Free Download Real Questions & Answers **PDF** and **VCE** file from:

<https://www.pass2lead.com/jn0-692.html>

100% Passing Guarantee
100% Money Back Assurance

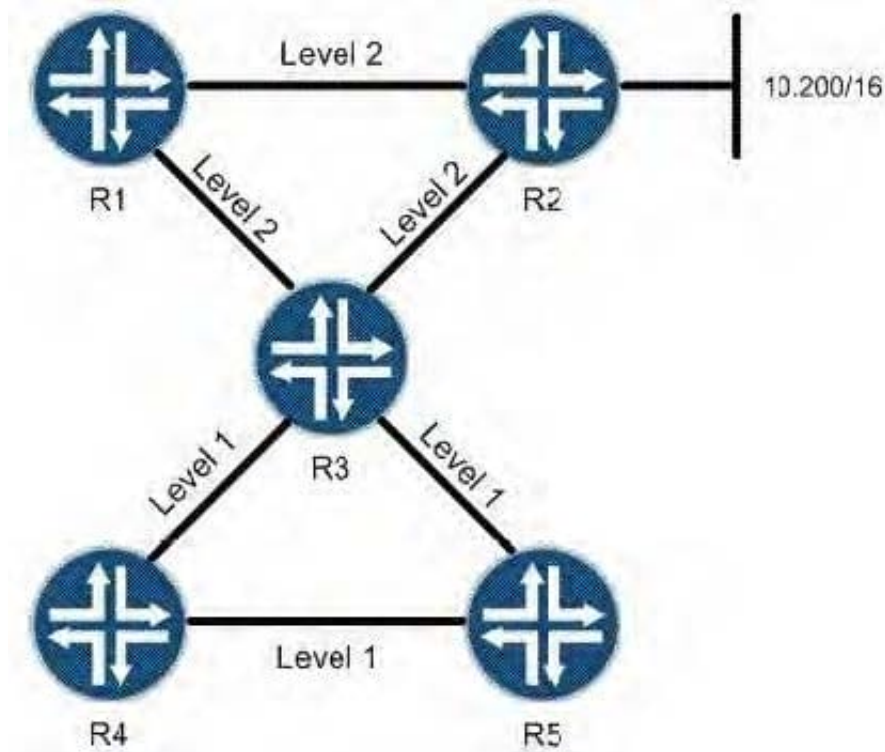
Following Questions and Answers are all new published by Juniper
Official Exam Center

- ⚙️ **Instant Download** After Purchase
- ⚙️ **100% Money Back** Guarantee
- ⚙️ **365 Days** Free Update
- ⚙️ **800,000+** Satisfied Customers



QUESTION 1

Click the Exhibit button.



R2 is announcing the 10.200/16 network to its IS-IS neighbors. No routing policies have been applied to R3. Referring to the exhibit, will R5 have 10.200/16 as an IS-IS route?

- A. Yes; IS-IS level 2 externals are passed from level 2 to level 1 by default.
- B. No; IS-IS level 2 externals are only passed to level 1 if wide-metrics-only is configured on all routers.
- C. Yes; all level 2 routing information is shared throughout an IS-IS domain by default.
- D. No; IS-IS does not announce routes from level 2 to level 1 unless a routing policy is applied.

Correct Answer: D

QUESTION 2

Click the Exhibit button.

What is the significance of RIB groups, as shown in the exhibit?

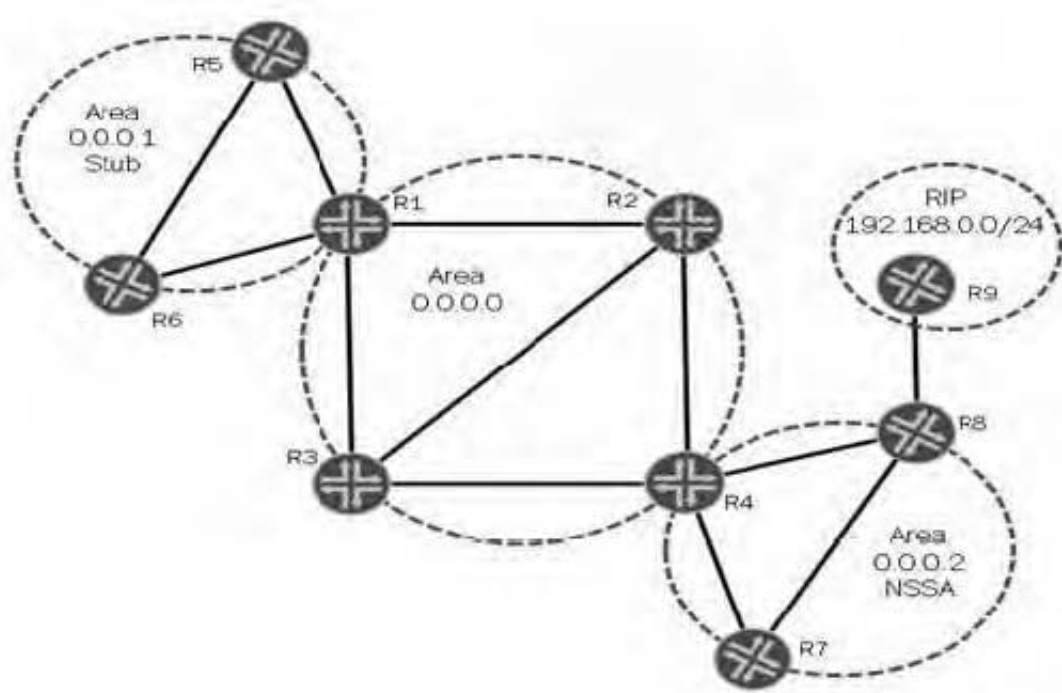
- A. RIB groups alter the multicast RPF check table to inet.0.
- B. RIB groups alter the multicast RPF check table to inet.2.
- C. RIB groups alter the multicast RPF check table to inet.4.

D. RIB groups alter the multicast RPF check table to inet.3.

Correct Answer: B

QUESTION 3

Click the Exhibit button.



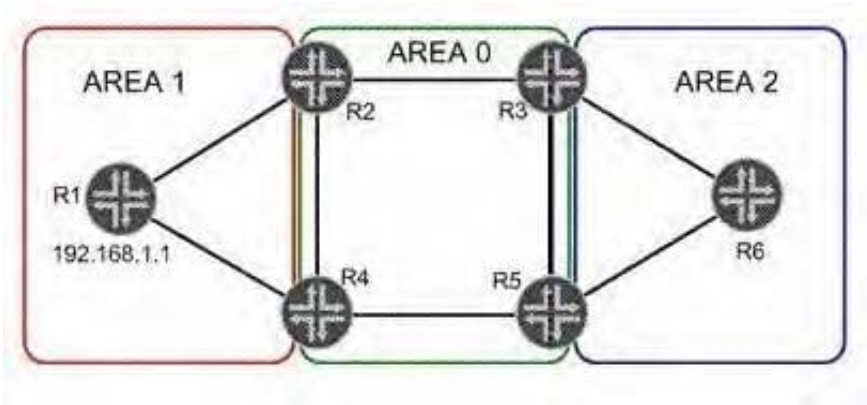
In the exhibit, the RIP network 192.168.0.0/24 is redistributed into OSPF on R8. Which two statements are true? (Choose two.)

- A. R4 receives the RIP network in a Type 7 LSA from R8.
- B. R7 receives the RIP network in a Type 5 LSA from R4.
- C. R2 receives the RIP network in a Type 7 LSA from R4.
- D. R3 receives the RIP network in a Type 5 LSA from R4.

Correct Answer: AD

QUESTION 4

Click the Exhibit button.



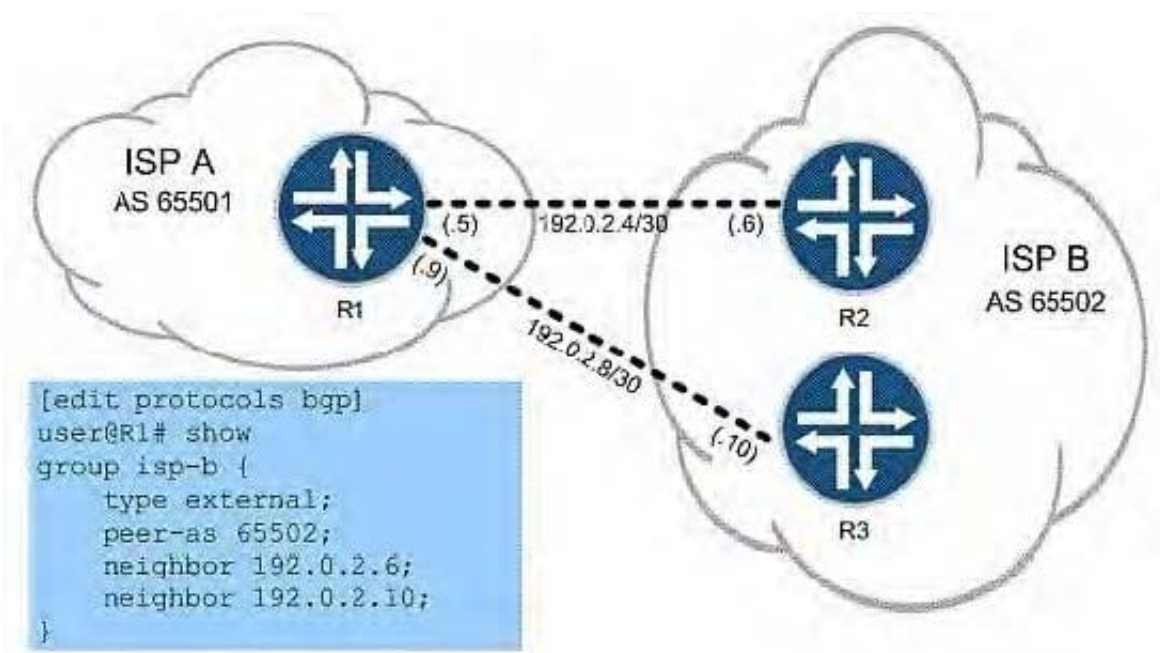
In the exhibit, R1 has a loopback address of 192.168.1.1. Its loopback interface is included in OSPF Area 1. Which two statements are true? (Choose two.)

- A. R1 will advertise the loopback address in a Type 1 LSA.
- B. R1 will advertise the loopback address in a Type 3 LSA.
- C. Area 0 will see the loopback address in a Type 1 LSA.
- D. Area 0 will see the loopback address in a Type 3 LSA.

Correct Answer: AD

QUESTION 5

Click the Exhibit button.



You work for ISP A, as shown in the exhibit, and must configure R1 to load balancing across both available links to ISP B's network. Which command do you use to finish the configuration?

- A. set protocols bgp group isp-b multipath
- B. set routing-options forwarding-table export per-packet
- C. set protocols bgp group isp-b multihop
- D. set routing-options forwarding-table load-balance

Correct Answer: A

[Latest JN0-692 Dumps](#)

[JN0-692 Exam Questions](#)

[JN0-692 Braindumps](#)