

# OMG-OCUP-100<sup>Q&As</sup>

OMG-Certified UML Professional Fundamental Exam

## Pass OMG OMG-OCUP-100 Exam with 100% Guarantee

Free Download Real Questions & Answers **PDF** and **VCE** file from:

<https://www.pass2lead.com/omg-ocup-100.html>

100% Passing Guarantee  
100% Money Back Assurance

Following Questions and Answers are all new published by OMG  
Official Exam Center

- ⚙️ **Instant Download** After Purchase
- ⚙️ **100% Money Back** Guarantee
- ⚙️ **365 Days** Free Update
- ⚙️ **800,000+** Satisfied Customers



**QUESTION 1**

What do abstraction dependencies represent? (Choose two)

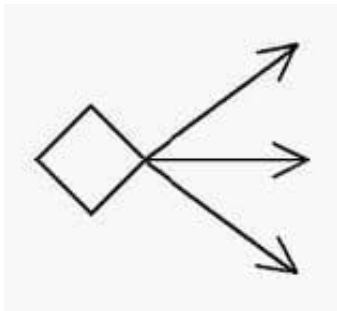
- A. same concept
- B. different concepts
- C. same level of abstract or different viewpoints
- D. same level of abstraction or the same viewpoint
- E. different levels of abstraction or different viewpoints

Correct Answer: AE

---

**QUESTION 2**

How many of the three arrows outgoing from the diamond shape (as depicted in the exhibit) will be given values at one time in a well-defined activity diagram?



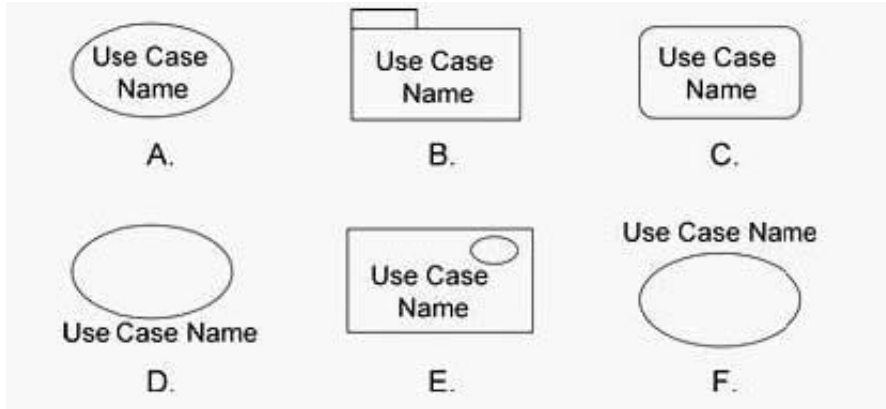
- A. none
- B. one
- C. two
- D. three

Correct Answer: B

---

**QUESTION 3**

What shapes normally represent a use case? (Choose three)



A. Option A

B. Option B

C. Option C

D. Option D

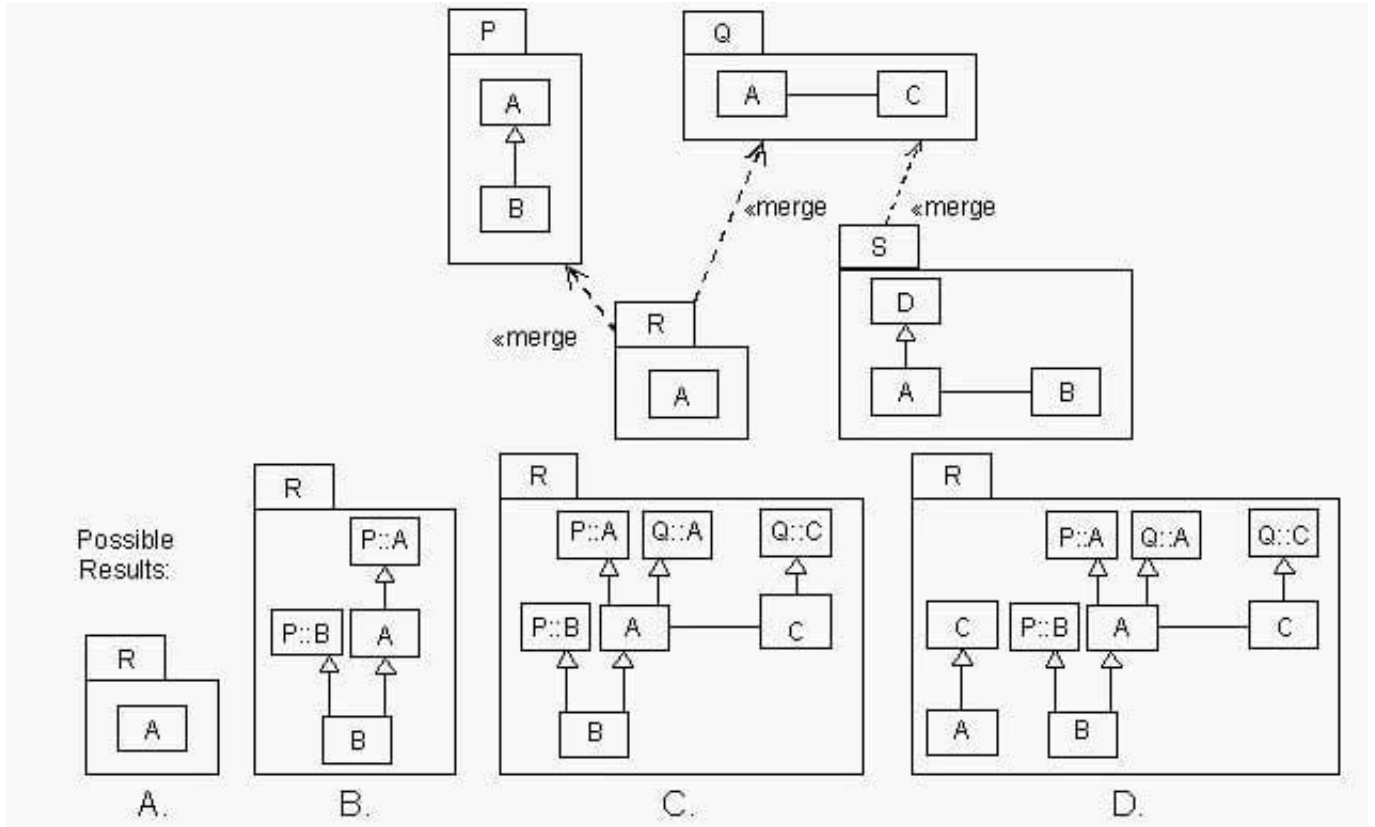
E. Option E

F. Option F

Correct Answer: ADE

#### QUESTION 4

What is the result of the merge transformations for R in the exhibit?

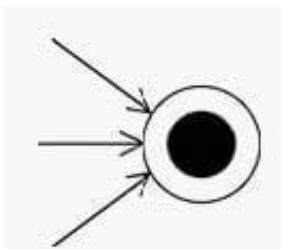


- A. Option A
- B. Option B
- C. Option C
- D. Option D

Correct Answer: C

**QUESTION 5**

A circle with a solid circle inside and three incoming arrows is depicted in the exhibit. many of the arrows must provide values for the circle to have an effect?



- A. none
- B. one

C. two

D. three

Correct Answer: B

[Latest OMG-OCUP-100  
Dumps](#)

[OMG-OCUP-100 VCE  
Dumps](#)

[OMG-OCUP-100 Practice  
Test](#)