

OMG-OCUP-200^{Q&As}

OMG-Certified UML Professional Intermediate Exam





**Pass OMG OMG-OCUP-200 Exam with 100%
Guarantee**

Free Download Real Questions & Answers **PDF** and **VCE** file from:

<https://www.pass2lead.com/omg-ocup-200.html>

100% Passing Guarantee
100% Money Back Assurance

Following Questions and Answers are all new published by OMG
Official Exam Center

-  **Instant Download** After Purchase
-  **100% Money Back** Guarantee
-  **365 Days** Free Update
-  **800,000+** Satisfied Customers



QUESTION 1

What is the primary extension construct of a profile?

- A. a metaclass
- B. a constraint
- C. a stereotype
- D. a tag definition

Correct Answer: C

QUESTION 2

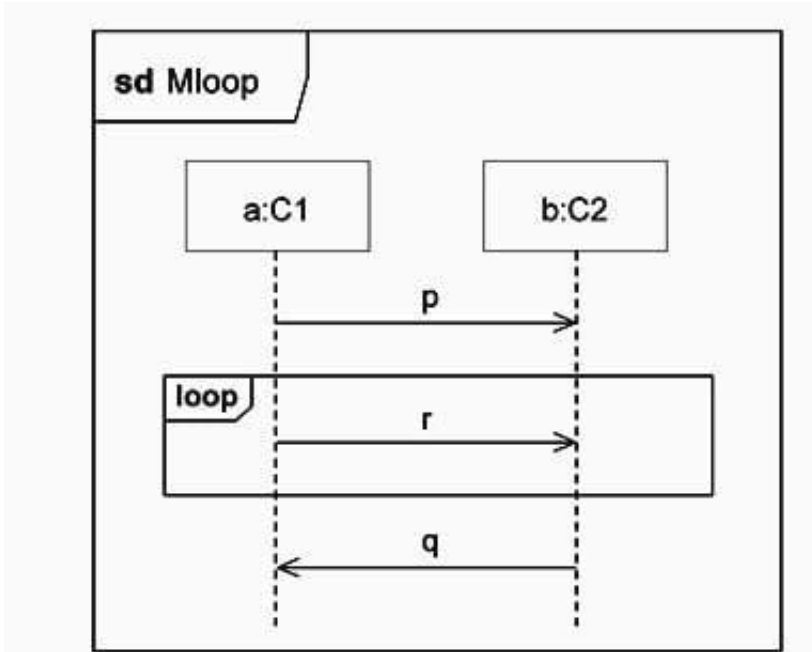
Instances of the CommunicationPath class connect instances of which classes in a deployment diagram?

- A. two Nodes
- B. Node and Signal
- C. Node and Property
- D. DeploymentTarget and DeployedArtifact
- E. InstanceSpecification and DeploymentSpecification

Correct Answer: A

QUESTION 3

Assume !p denotes sending of p, ?p the reception of p. In the exhibit, what traces are valid? (Choose three)



- A.
- B.
- C.
- D.
- E.
- F.

Correct Answer: ABE

QUESTION 4

What is implied when a transition terminates on the outer border of a composite state that has an initial and a history pseudostate?

- A. The state is not entered.
- B. The outgoing transition from the final pseudostate is taken.
- C. The outgoing transition from the initial pseudostate is taken.
- D. The outgoing transition from the history pseudostate is taken.

Correct Answer: C

QUESTION 5

What objects receive a signal sent by a BroadcastSignalAction?

- A. all objects
- B. objects are determined by semantic variation
- C. all objects that have a reception for the signal
- D. objects that are on the same node as the actions
- E. objects that are instantiated from classes in the package of the action

Correct Answer: B

[OMG-OCUP-200 VCE
Dumps](#)

[OMG-OCUP-200 Practice
Test](#)

[OMG-OCUP-200 Study
Guide](#)