

TMPTE^{Q&As}

TMap NEXT® Test Engineer

Pass EXIN TMPTE Exam with 100% Guarantee

Free Download Real Questions & Answers **PDF** and **VCE** file from:

<https://www.pass2lead.com/tmppte.html>

100% Passing Guarantee
100% Money Back Assurance

Following Questions and Answers are all new published by EXIN
Official Exam Center

- ⚙️ **Instant Download** After Purchase
- ⚙️ **100% Money Back** Guarantee
- ⚙️ **365 Days** Free Update
- ⚙️ **800,000+** Satisfied Customers



QUESTION 1

A fun park is celebrating its 25th birthday and has come up with the following discount campaign:

Everybody is given 50% discount on their admission ticket. Children younger than 4 years, adults older than 64 years, and for this special occasion adults aged 25 years will be allowed in free. How many equivalence classes are included in this situation?

- A. 3
- B. 4
- C. 5

Correct Answer: C

QUESTION 2

Which test design technique uses operational profiles and load profiles?

- A. Data Cycle Test
- B. Process Cycle Test
- C. Real-Life Test
- D. Use Case Test

Correct Answer: C

QUESTION 3

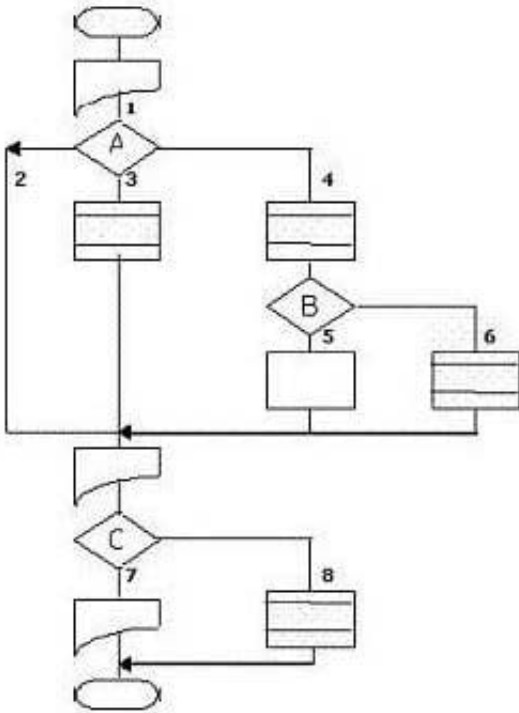
What is the aim of a unit test?

- A. to demonstrate that a unit meets the functional specifications
- B. to demonstrate that a unit meets the technical specifications
- C. to demonstrate that a unit integrates properly with other units

Correct Answer: B

QUESTION 4

See the procedure flow below:



How many test situations are produced when the coverage type paths with test depth level 2 is used?

- A. 3
- B. 8
- C. 12
- D. 13

Correct Answer: D

QUESTION 5

See the following specification:

IF	it is cold
	THEN put on your jacket
ENDIF	
IF	it rains and is not windy
	THEN you use an umbrella
ELSE	
	you do not use an umbrella
ENDIF	

How many test situations are produced when the coverage type decision points condition/decision coverage is used?

- B. 3
- C. 4
- D. 8

Correct Answer: C

[TMPTE PDF Dumps](#)

[TMPTE Practice Test](#)

[TMPTE Exam Questions](#)