

ASVAB-SECTION-3^{Q&As}

ASVAB Section Three : Mechanical Comprehension

**Pass ASVAB ASVAB-SECTION-3 Exam with 100%
Guarantee**

Free Download Real Questions & Answers **PDF** and **VCE** file from:

<https://www.pass2lead.com/asvab-section-3.html>

100% Passing Guarantee
100% Money Back Assurance

Following Questions and Answers are all new published by ASVAB
Official Exam Center

- ⚙️ **Instant Download** After Purchase
- ⚙️ **100% Money Back** Guarantee
- ⚙️ **365 Days** Free Update
- ⚙️ **800,000+** Satisfied Customers



QUESTION 1

The brakes on your car use the same force that stops your car if you just let it coast.

This force is called _____.

- A. velocity
- B. gravity
- C. friction
- D. newton

Correct Answer: C

Friction is used to stop a car.

The brakes rub against the wheel drum or the disc to cause the car to stop. This rubbing is creating friction.

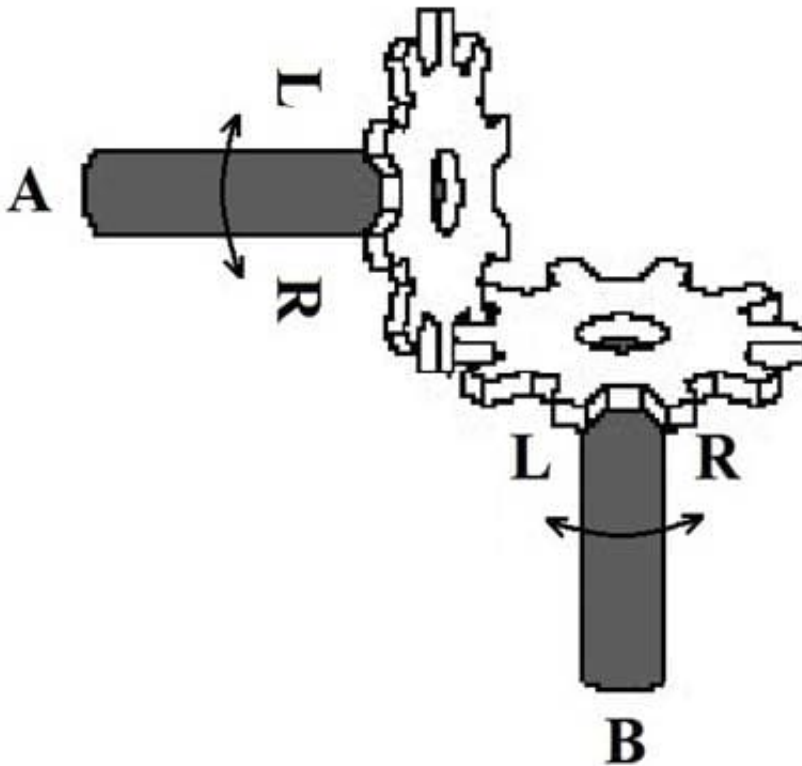
QUESTION 2

What determines the speed of an output gear?

- A. None of these (Gear speed is not capable of alteration.)
- B. The size of gears.
- C. The speed of the input gear and the ratio of the number of teeth on each gear.
- D. The ratio of companion gears.

Correct Answer: C

QUESTION 3



If Gear A turns left in the figure above, Gear B _____.

- A. won't turn
- B. turns left
- C. turns right
- D. It can't be determined.

Correct Answer: C

Gears in mesh always turn in opposite directions.

QUESTION 4

A micrometer is used to measure _____.

- A. small changes in temperature
- B. changes in psi
- C. thicknesses to a few thousandths of an inch
- D. objects invisible to the unaided eye

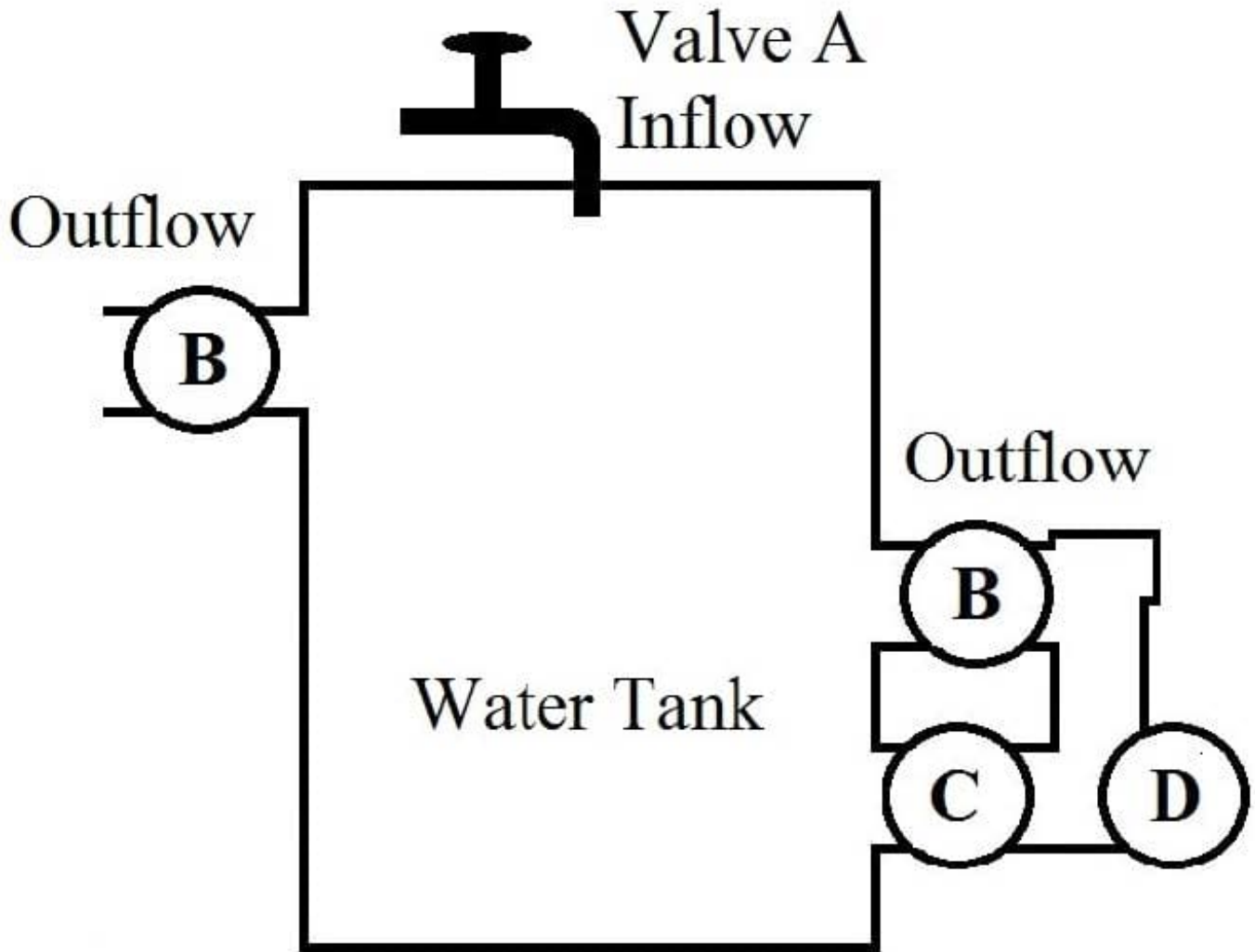
Correct Answer: C

Micrometers measure very small but not microscopic objects.

QUESTION 5

In the water system shown below, assume that the main tank starts empty and that all the valves are closed.

In order for the tank to fill about halfway and keep that level, which valves have to be open?



- A. Valves A, B, and C
- B. Valves A, B, and D
- C. Valves A, E, and B
- D. Valves A, E, and C

Correct Answer: B

Valves A, B, and D must be open for the tank to fill halfway and maintain that level.

Water flows in through Valve A (meaning that any choice not including Valve A is automatically incorrect), and flows out when the tank is half full through Valve B.

However, for that water to leave the system Valve D must also be open.

[Latest ASVAB-SECTION-3
Dumps](#)

[ASVAB-SECTION-3 VCE
Dumps](#)

[ASVAB-SECTION-3
Practice Test](#)