

# DES-5121<sup>Q&As</sup>

Specialist - Implementation Engineer - Campus Networking Exam

**Pass EMC DES-5121 Exam with 100% Guarantee**

Free Download Real Questions & Answers **PDF** and **VCE** file from:

<https://www.pass2lead.com/des-5121.html>

100% Passing Guarantee  
100% Money Back Assurance

Following Questions and Answers are all new published by EMC  
Official Exam Center

-  **Instant Download** After Purchase
-  **100% Money Back** Guarantee
-  **365 Days** Free Update
-  **800,000+** Satisfied Customers



**QUESTION 1**

N4032F#show interfaces status

Port	Description	Duplex	Speed	Neg	Link State	Flow Ctrl	M	VLAN
Te1/0/5		Full	100	Off	Up	On	A	1
Te1/0/6		Full	1000	Off	Up	Off	A	1

Port Channel	Description	Link State	M	VLAN
Po1		Up	A	1

N4032F#show interfaces port-channel 1

Channel	Ports	Ch-Type	Hash Type	Min-Links	Local Prf	Rx Util	Tx Util
Po1	Active: Te1/0/5 Inactive: Te1/0/6	Dynamic	7	1	Disabled	0	0

Hash Algorithm Type 1 - Source MAC, VLAN, EtherType, source module and port Id 2 - Destination MAC, VLAN, EtherType, source module and port Id 3 - Source IP and source TCP/UDP port 4 - Destination IP and destination TCP/UDP port 5 - Source/Destination MAC, VLAN, EtherType, source MODID/port 6 - Source/Destination IP and source/destination TCP/UDP port 7 - Enhanced hashing mode

N4032F#

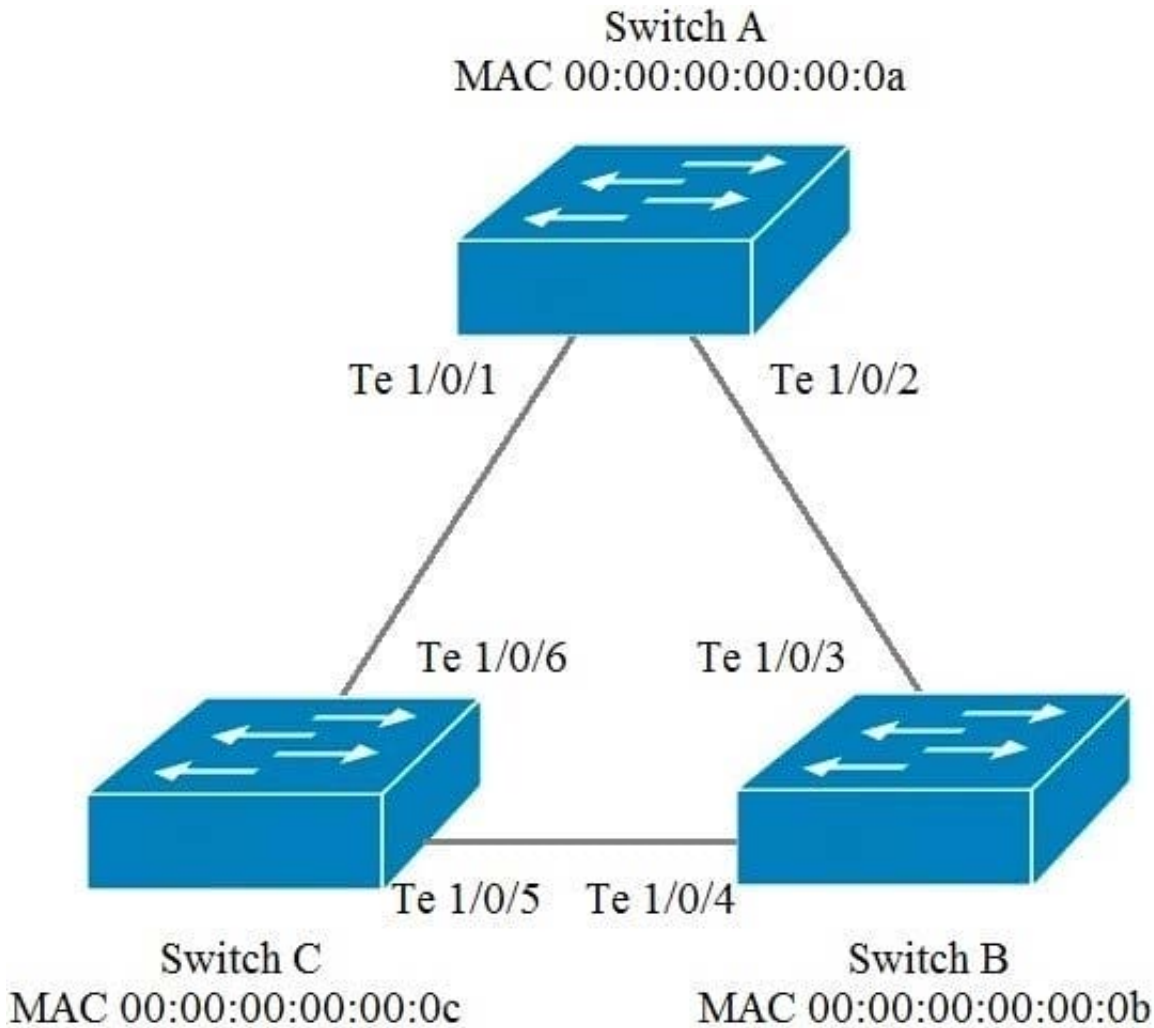
A Dell EMC N-Series switch has been configured with a 2-member port-channel; however, only one link is currently active.

Based on the exhibit, why is only one link active?

- A. Minimum links value for Po1 is set to "1"
- B. Hash algorithm is configured for active-passive
- C. Te1/0/6 interface is administratively disabled
- D. Speed setting is different between ports

Correct Answer: D

**QUESTION 2**



The exhibit represents a topology with all Dell EMC N4000 Series switches with RSTP enabled. In addition, the switches are using the default configuration on all ports and protocols. Which port number will be blocked by spanning tree?

- A. Te 1/0/3
- B. Te 1/0/4
- C. Te 1/0/5
- D. Te 1/0/6

Correct Answer: C

**QUESTION 3**

In order to alter a packet's routing direction, which packet layers can policy-based routing use?

- A. Transport, Network, Link Layer, and Physical
- B. Link Layer, Physical, Presentation, and Session
- C. Network, Link Layer, Physical, and Session

D. Application, Transport, Network, and Link Layer

Correct Answer: A

---

**QUESTION 4**

A network administrator is setting up a Class 5 powered device in their network. Which Dell EMC N-Serves switch model(s) will support this device?

A. N1100P and N2000P

B. N1500P

C. N2000 and N3000P

D. N3000P only

Correct Answer: C

---

**QUESTION 5**

A network administrator is planning a PoE budget for their network.

What is the PoE source maximum power budget for a Class 4 end device?

A. 12.95 watts

B. 15.4 watts

C. 34.2 watts

D. 60 watts

Correct Answer: C

Reference: [http://ftp.dell.com/manuals/all-products/esuprt\\_ser\\_stor\\_net/esuprt\\_networking/esuprt\\_net\\_fxd\\_prt\\_swtdhs/networking-n3000-series\\_User\\'s-Guide10\\_en-us.pdf](http://ftp.dell.com/manuals/all-products/esuprt_ser_stor_net/esuprt_networking/esuprt_net_fxd_prt_swtdhs/networking-n3000-series_User\\'s-Guide10_en-us.pdf) page 82

[DES-5121 VCE Dumps](#)

[DES-5121 Study Guide](#)

[DES-5121 Exam Questions](#)