

HP0-Y50^{Q&As}

Architecting HP FlexNetwork Solutions

Pass HP HP0-Y50 Exam with 100% Guarantee

Free Download Real Questions & Answers **PDF** and **VCE** file from:

<https://www.pass2lead.com/hp0-y50.html>

100% Passing Guarantee
100% Money Back Assurance

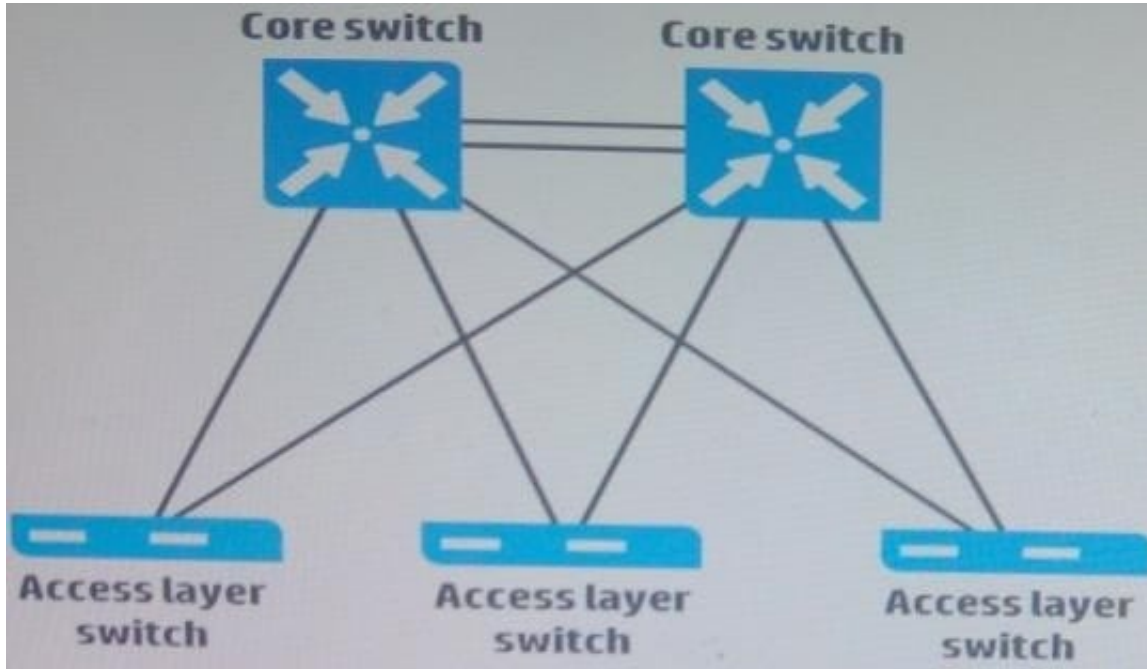
Following Questions and Answers are all new published by HP Official Exam Center

-  **Instant Download** After Purchase
-  **100% Money Back** Guarantee
-  **365 Days** Free Update
-  **800,000+** Satisfied Customers



QUESTION 1

Refer to the exhibit.



A customer has the solution in the exhibit, which includes more access layer switches than are shown. Members of the customer network team mention they are considering access layer routing for a new solution to eliminate Spanning Tree Protocol (STP) and Virtual Router Redundancy protocol (VRRP). However they are concerned about meaning the routing solution. The network architect proposes a solution that eliminates STP and VRRP without requiring routing at the access layer, although the solution can use access layer routing.

Which solution fits that description?

- A. Two HP 10500 Series, using intelligent Resilient Framework (IRF) at the core, HP S400 zl Series switches at the access layer
- B. Two HP 10500 Series switches, using Hot Standby Router Protocol (HSRP), at the core. HP 2600 Series switch at the access layer
- C. Two HP 8200 zl Series switches, using distributed Trunking, at the core. HP 5400 zl Series switches at the access layer
- D. Two HP zl Series switches, using backplane stacking, at the core. HP 5400 zl Series switches, using the backbone stacking at the access layer

Correct Answer: B

QUESTION 2

Customer has a virtualized data center Microsoft Hyper-V Windows Server 2012. The customer has provided this information about the Ms:

Each host has a network (Hyper-V virtual switch) that supports VM productions traffic and owns two server 10G NICs.

Each host has a network (Hyper-V virtual switch) that supports management traffic to the parent partition and owns two server Gigabit NICs. Each rack, the network architect plans to deploy two HP 5920 Series switches, acting as an Intelligent Resilient Framework (IRF) switch.

Which additional information does the architect need in order to plan the connections to each host?

- A. Whether the virtual switches use sFlow or Net Stream to load balance traffic over the NICs
- B. Whether the virtual switches use Virtual Ethernet Port Aggregator (VEPA) VLAN tagging
- C. Whether the virtual switches use generic or dynamic NIC teaming (Link Aggregation Control [(LACP)] and their hashing method
- D. Whether the virtual switches support standard Spanning Tree Protocol (STP) or Cisco Per-VLAN Spanning Tree Protocol Plus (PVST+)

Correct Answer: C

QUESTION 3

An architect is planning an HP Wired-WLAN solution for an office with approximately 4000 users who will use the wireless network rather heavily and who need to roam seamlessly. The solution will have 256 MSM 460 APs. What is one reason for using two HP Wired- WLAN controllers for this solution?

- A. Each Wired-WLAN controller can only support 2000 users.
- B. The customer needs fast roaming, which requires a mobility solution between two controllers.
- C. Forwarding traffic through two controllers can prevent a bottleneck due to heavy usage.
- D. Each Wired-WLAN controller can only support 128APs.

Correct Answer: C

QUESTION 4

A network architect is choosing fabric module for an HP 10500 Series Switch. Which factors affect the choice?

- A. The environment in which the switch will be installed and the direction of the airflow
- B. The number of IPv4 and IPv6 routes that the switch must support in its routing table
- C. The type of I/O modules and whether full bandwidth must be supported on all ports at the same time
- D. The type of management modules and whether these modules operate in hot-standby mode

Correct Answer: C

QUESTION 5

When would a network architect recommend an HP HSR6800 Router for a campus LAN? (Select two)

- A. The HP HSR6800 Router provides routing features at a more attractive price point than a routing switch
- B. The company wants to implement a Dynamic Virtual Private Network (DVPN)
- C. The HP HSR6800 Router Supports Border Gateway Protocol (BGP), which is unavailable on routing switches
- D. The company needs a routing device that supports extremely large tables
- E. The company requires a large number of 10G connections

Correct Answer: BD

[HP0-Y50 PDF Dumps](#)

[HP0-Y50 Exam Questions](#)

[HP0-Y50 Braindumps](#)