

HP0-Y51^{Q&As}

Building HP SDN and FlexNetwork Solutions

Pass HP HP0-Y51 Exam with 100% Guarantee

Free Download Real Questions & Answers **PDF** and **VCE** file from:

<https://www.pass2lead.com/hp0-y51.html>

100% Passing Guarantee
100% Money Back Assurance

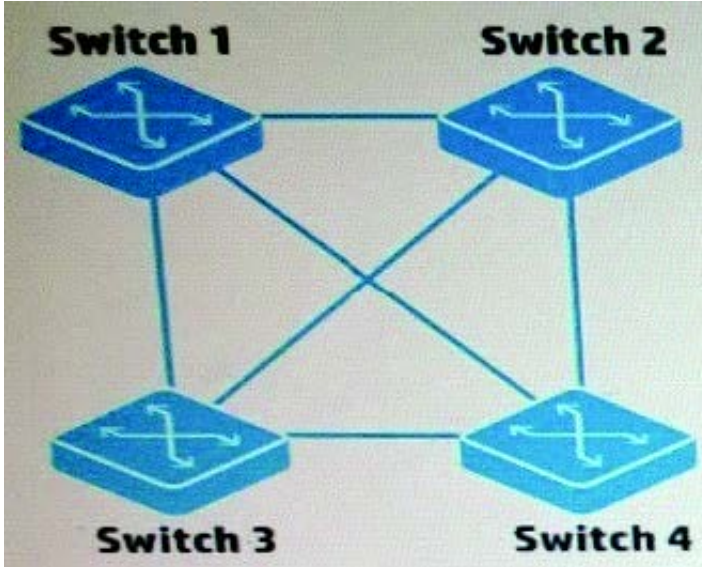
Following Questions and Answers are all new published by HP Official Exam Center

- ⚙️ **Instant Download** After Purchase
- ⚙️ **100% Money Back** Guarantee
- ⚙️ **365 Days** Free Update
- ⚙️ **800,000+** Satisfied Customers



QUESTION 1

Refer to the exhibit.



The switches shown in the exhibit use the HP VAN SDN Controller as the OpenFlow controller. They connect to the controller on their out-of-band management (OOBM) ports, but these connections are not shown in the exhibit. The switches also run spanning tree protocol. An SDN application installed on the HP VAN SDN Controller is programmed to discover live ports, find redundant paths, and create loopfree paths for traffic infrastructure shown in the exhibit. However the application is not able to complete these functions because the switches are reporting some ports as blocked.

What should the administrator do to let the application create the loopfree paths?

- A. Disable spanning tree on the OpenFlow-enabled switches and do not configure link aggregation.
- B. Enable spanning tree on the OpenFlow-enabled switches but set the application as the spanning tree flood parameter controller.
- C. Enable spanning tree on the OpenFlow-enabled switches and configure all of the redundant links as egress-only-ports
- D. Disable spanning tree on the OpenFlow-enabled switches and configure the redundant links as static link aggregations

Correct Answer: D

QUESTION 2

A company has an HP BYOD solution to let guests connect to a Guest SSID and log in through a registration page. The company needs an Employee SSID which enforces Wi-Fi Protected Access 2 (WPA2) with 802.1X. Employees must

authenticate with certificates. Before authenticating with a device for the first time, the employees should be able to connect to the Guest SSID, access the guest registration page, and download valid certificates.

How does the administrator configure User Access Manager (UAM) to allow employees to download certificates from the registration page?

- A. The User Endpoint Settings, create an Endpoint Configuration Distribution Policy that permits the employee groups.
- B. In the Guest Manager settings for the employee manager, enable auto-registration in certificate mode.
- C. In the Guest access policy, make sure that a policy binds the Employee SSID to an access rule with the onboarding VLAN ID.
- D. In the Employee access service, make sure that a policy binds the Employee SSID to an access rule with the onboarding VLAN ID.

Correct Answer: B

QUESTION 3

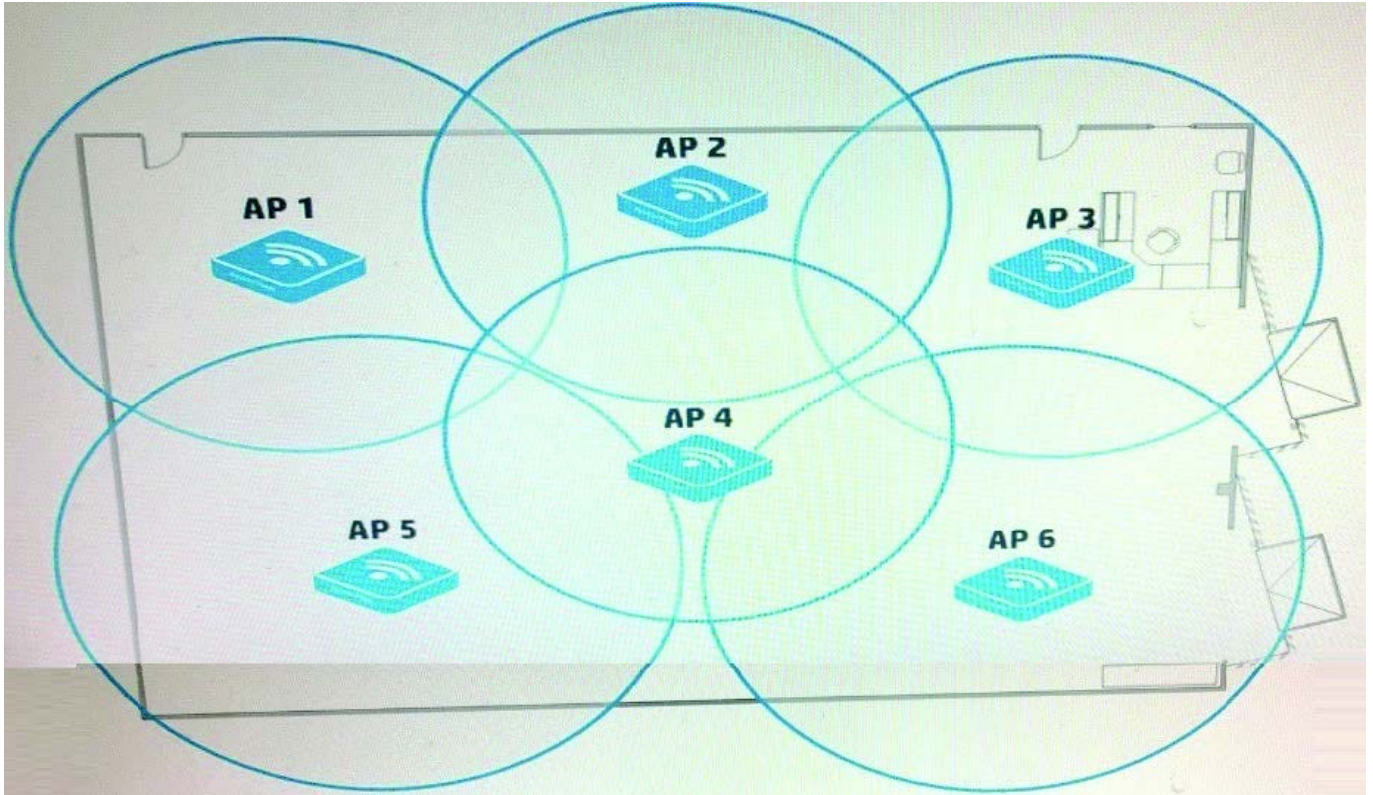
How does the HP Optimizer SDN Application -Microsoft Lync enhance QoS for Microsoft Lync?

- A. The application registers as a packet listener for all IP packets in the HP VAN SDN Controller. It creates reactive flows for all user traffic, including prioritized ones for UCandC traffic.
- B. The application pre-provisions several flows on all HP switches, which redirect all IP traffic to the HP VAN SDN Controller. Each TCP session is then assigned the correct priority before it can be established.
- C. The application receives RESTful API calls from a plug-in to Lync. It uses information obtained to create proactive prioritized flows for UC and traffic.
- D. The application registers as a packet listener for TCP 5060 in the HP VAN SDN Controller. It uses packets received to create reactive prioritized flows for UC and C traffic.

Correct Answer: A

QUESTION 4

Refer to the exhibit.



A company has many dual-radio APs that are deployed relatively closely together. They are controlled by an HP Unified Wired-Wireless controller. The administrator wants to implement load balancing among the radios on different APs.

How should the administrator implement load balancing?

- A. Implement group-based load balancing by adding radios on different APs to the group.
- B. Implement radio-based load balancing by adding APs to the radio templates.
- C. Implement AP-based load balancing on the individual APs.
- D. Implement AP-based load balancing on the radios of the individual APs.

Correct Answer: A

QUESTION 5

An HP Unified Wired-Wireless controller controls an AP. The AP implements centralized forwarding. It supports 802.11n clients that implement Wi-Fi Multimedia (WMM) or 802.11 e. Some of the clients are sending traffic in high priority WMM queues.

How does the AP help to ensure that this traffic is prioritized in the wired LAN?

- A. It maps 802.11 values from wireless traffic to DiffServ Code Points (DSCP) in packets tunneled to the controller.

- B. It implements 802.11n fair scheduling on the port that connects to the switch.
- C. It maps 802.1p values from wireless traffic to 802.11 e values in packets forwarded into the LAN.
- D. It implements Spectralink and uses Spectralink-to-WMM compliance mode.

Correct Answer: A

[Latest HP0-Y51 Dumps](#)

[HP0-Y51 PDF Dumps](#)

[HP0-Y51 Practice Test](#)