

HP2-Z34^{Q&As}

Building HP FlexFabric Data Centers

Pass HP HP2-Z34 Exam with 100% Guarantee

Free Download Real Questions & Answers **PDF** and **VCE** file from:

<https://www.pass2lead.com/hp2-z34.html>

100% Passing Guarantee
100% Money Back Assurance

Following Questions and Answers are all new published by HP Official Exam Center

- ⚙️ **Instant Download** After Purchase
- ⚙️ **100% Money Back** Guarantee
- ⚙️ **365 Days** Free Update
- ⚙️ **800,000+** Satisfied Customers



QUESTION 1

What must be used when implementing the backbone multicast feature to isolate multicasts in the SPBM region?

- A. maximum of two Equal Cost Tree (ECT) algorithms
- B. single I-SID for all VLANs belonging to the same customer
- C. head-end replication for multicasts
- D. odd-numbered VLAN IDs for B-VLANs

Correct Answer: C

QUESTION 2

An administrator configures two VSANs on an HP Comware IRF virtual switch. The IRF members connect to a server with two Converged Network Adapters (CNAs) One CNA is connected to VSAN 1. and the

other is connected to VSAN 2 The storage target for the server is also connected to VSAN 1 and VSAN 2. What is required for this setup to work?

- A. The HP switch must place the ports connected to the server CNAs in a link aggregation set to static mode
- B. The server CNAs must support multi-path I/O (MPIO)
- C. The HP switch must place the ports connected to the server CNAs in a link aggregation set to dynamic (LACP) mode
- D. The HP switch must support multi-path I/O (MPIO).

Correct Answer: A

QUESTION 3

Several VPN instances have been set up on an HP Comware switch. What should the administrator do to ensure that no VPN instance uses up too many switch resources?

- A. Apply a service policy to each instance to assign that instance a percentage of resources
- B. Bind each instance to a specific port group or ASIC
- C. Set a maximum number of routes that each instance can have in its routing table.
- D. Set a CPU weight for each VPN instance to control how much of the CPU the instance can use.

Correct Answer: A

QUESTION 4

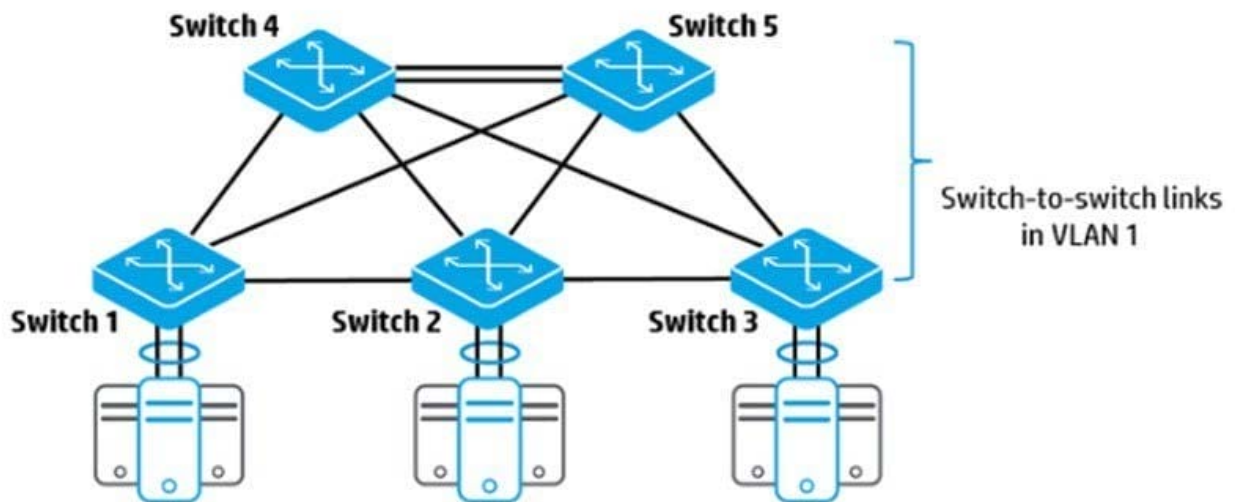
Which statement is correct about a Fibre Channel (FC) node-port (N-port) in a Storage Area Network (SAN) fabric topology?

- A. It is a port on a SAN switch that connects to an initiator or target
- B. It is a port on a SAN switch that connects to a target but never to an initiator
- C. It is a port on an initiator but never a target, and it connects to an extension port (E-port).
- D. It is a port on an initiator or a target, and it connects to a fabric port (F-port)

Correct Answer: C

QUESTION 5

Refer to the exhibit



An administrator wants these switches to establish a TRILL region. TRILL is enabled globally and nicknames are set. What must the administrator do so that each TRILL switch (RBridge) finds the best path to all other TRILL switches?

- A. Configure IS-IS on VLAN 1 on all the switches.
- B. Enable TRILL with the correct link-type on each switch-to-switch port
- C. Configure DRB priorities on all switch-to-switch links.
- D. Create a Virtual Service Instance (VSI) on each switch and define the other switches as TRILL peers.

Correct Answer: B