

HPE2-Z39^{Q&As}

Fast Track - Applying Aruba Switching Fundamentals for Mobility

Pass HP HPE2-Z39 Exam with 100% Guarantee

Free Download Real Questions & Answers **PDF** and **VCE** file from:

<https://www.pass2lead.com/hpe2-z39.html>

100% Passing Guarantee
100% Money Back Assurance

Following Questions and Answers are all new published by HP Official Exam Center

- ⚙️ **Instant Download** After Purchase
- ⚙️ **100% Money Back** Guarantee
- ⚙️ **365 Days** Free Update
- ⚙️ **800,000+** Satisfied Customers



QUESTION 1

Refer to the exhibit.

```
VSF-Switch# show vsf lldp-mad status
MAD device IP                : 10.1.0.2
MAD-probe portset            : 1/A1,1/B1,2/A1,2/B1,
VSF split                     : No
MAD probe originator         : No
Number of probe requests sent : 0
Number of probe responses received : 0
MAD Active Fragment          : Yes
```

What does the command output in the exhibit indicate about the status of an Aruba Virtual Switching Framework (VSF) fabric?

- A. The two members of the VSF fabric cannot contact each other, and the other member is the active member.
- B. The two members of the VSF fabric cannot contact each other, and this member is the active member.
- C. The two members of the VSF fabric are currently connected.
- D. The second member of the VSF fabric has not yet joined the fabric, so LLDP-MAD is not operational.

Correct Answer: D

QUESTION 2

A network has ArubaOS switches and an Aruba Instant cluster with IP addresses on 10.1.255.0/24. The network administrator wants to manage the devices in Aruba AirWave. The administrator uses the SNMP credentials configured on the switches to create a scan set for 10.1.255.0/24. The scan discovers the switches but not the Instant cluster.

What should the administrator do to discover the cluster in AirWave?

- A. Re-configure the scan set to use the Aruba Instant default SNMPv3 user admin
- B. Configure SNMP credentials in the Instant UI.
- C. Specify the AirWave IP address in the Instant UI System > Admin settings.
- D. Install the Instant cluster self-signed certificate on AirWave.

Correct Answer: B

QUESTION 3

Refer to the exhibits.

Exhibit 1

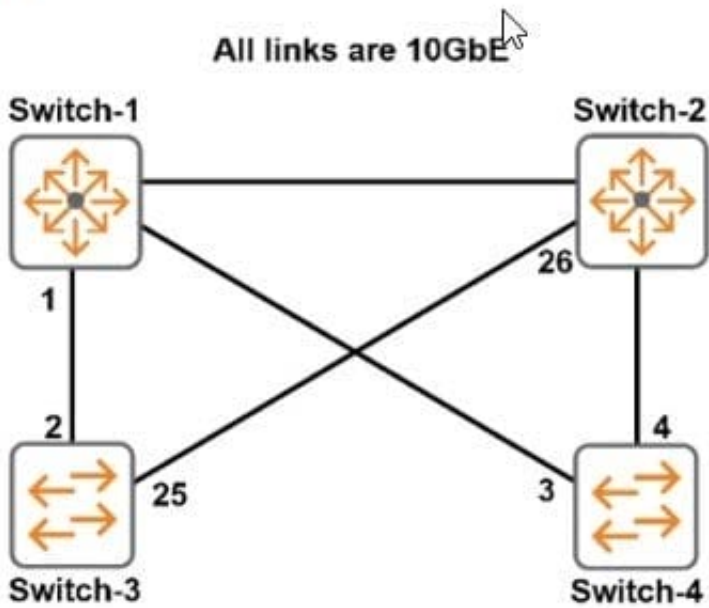


Exhibit 2

```
#Switch-1 spanning-tree running config
spanning-tree
spanning-tree priority 0

#Switch-2 spanning-tree running config
spanning-tree
spanning-tree priority 1

#Switch-3 spanning-tree running config
spanning-tree

#Switch-4 spanning-tree running config
spanning-tree
```

Exhibit 2 shows the spanning tree portion of the running config for each switch.

What are two ports with the alternate role?

- A. 1 and 2
- B. 2 and 4
- C. 4 and 25
- D. 25 and 26

Correct Answer: B

QUESTION 4

An ArubaOS switch operates at factory defaults and has a reachable IP address. How can network administrators access the switch CLI ?

- A. from the console port with the default username and password, but not from Telnet at all
- B. from the console port without authentication, but not from Telnet at all
- C. from the console port without authentication or from Telnet without authentication
- D. from the console port without authentication or from Telnet with the default username and password

Correct Answer: A

QUESTION 5

Currently the routing switches shown in the exhibit have only connected IP routes. The network administrator needs to add static routes to support communications between subnet 10.1.4.0/24 and subnet 10.1.8.0/24. Which switch or switches require a static route to 10.1.8.0/24?

- A. Switch-3 only
- B. Switch-1 and Switch-3
- C. Switch-1 only
- D. Switch-1 and Switch-2

Correct Answer: B

[HPE2-Z39 Practice Test](#)

[HPE2-Z39 Exam Questions](#)

[HPE2-Z39 Braindumps](#)