

# HPE6-A45<sup>Q&As</sup>

Implementing Aruba Campus Switching solutions

## Pass HP HPE6-A45 Exam with 100% Guarantee

Free Download Real Questions & Answers **PDF** and **VCE** file from:

<https://www.pass2lead.com/hpe6-a45.html>

100% Passing Guarantee  
100% Money Back Assurance

Following Questions and Answers are all new published by HP Official Exam Center

- ⚙️ **Instant Download** After Purchase
- ⚙️ **100% Money Back** Guarantee
- ⚙️ **365 Days** Free Update
- ⚙️ **800,000+** Satisfied Customers



### QUESTION 1

Refer to the exhibit.

```
Switch-1(config)# display vrrp
IPv4 Standby Information:
Run Mode: standard
Run Method : Virtual MAC
Total number of virtual routers : 3
Interface VRID State Run Adver Auth Virtual
Pri Timer Type IP
-----
Vlan2 2 Backup 100 1 None 10.1.2.1

Switch-2(config)# display vrrp
IPv4 Standby Information:
Run Mode : Standard
Run Method : Virtual MAC
Total number of virtual routers : 3
Interface VRID State Run Adver Auth Virtual
Pri Timer Type IP
-----
Vlan2 2 Master 254 1 None 10.1.2.1
```

Switch-1 and Switch-2 are configured to provide VRRP in VLAN 2. Based on the output, what will happen when a client in VLAN 2 sends an ARP request for its default gateway IP address?

- A. Only Switch-2 will respond, and it will respond with its own MAC address.
- B. Only Switch-2 will respond, and it will respond with the virtual MAC address for VRID 2.
- C. Both Switch-1 and Switch-2 will respond, and both will respond with the virtual MAC address for VRID 2.
- D. Both Switch-1 and Switch-2 will respond, and each will respond with its own MAC Address.

Correct Answer: B

### QUESTION 2

A company has AOS-Switches, Aruba ClearPass, and Aruba AirWave. A network administrator needs to set up a new switch with the same settings found on other switches in the company.

Which action is likely to be the most useful to perform the task?

- A. View usage patterns on the switches on AirWave.
- B. Retrieve the running config from ClearPass.
- C. Use the configuration audit tool on AirWave.
- D. Access the Network Device view on ClearPass.

Correct Answer: B

---

### QUESTION 3

An AOS-Switch needs to use captive portal to integrate with an Aruba ClearPass Guest solution. The solution should allow guests to connect their own devices to the network, be redirected to a portal, log in, and be granted access transparently.

What is one setting administrators should configure for this solution?

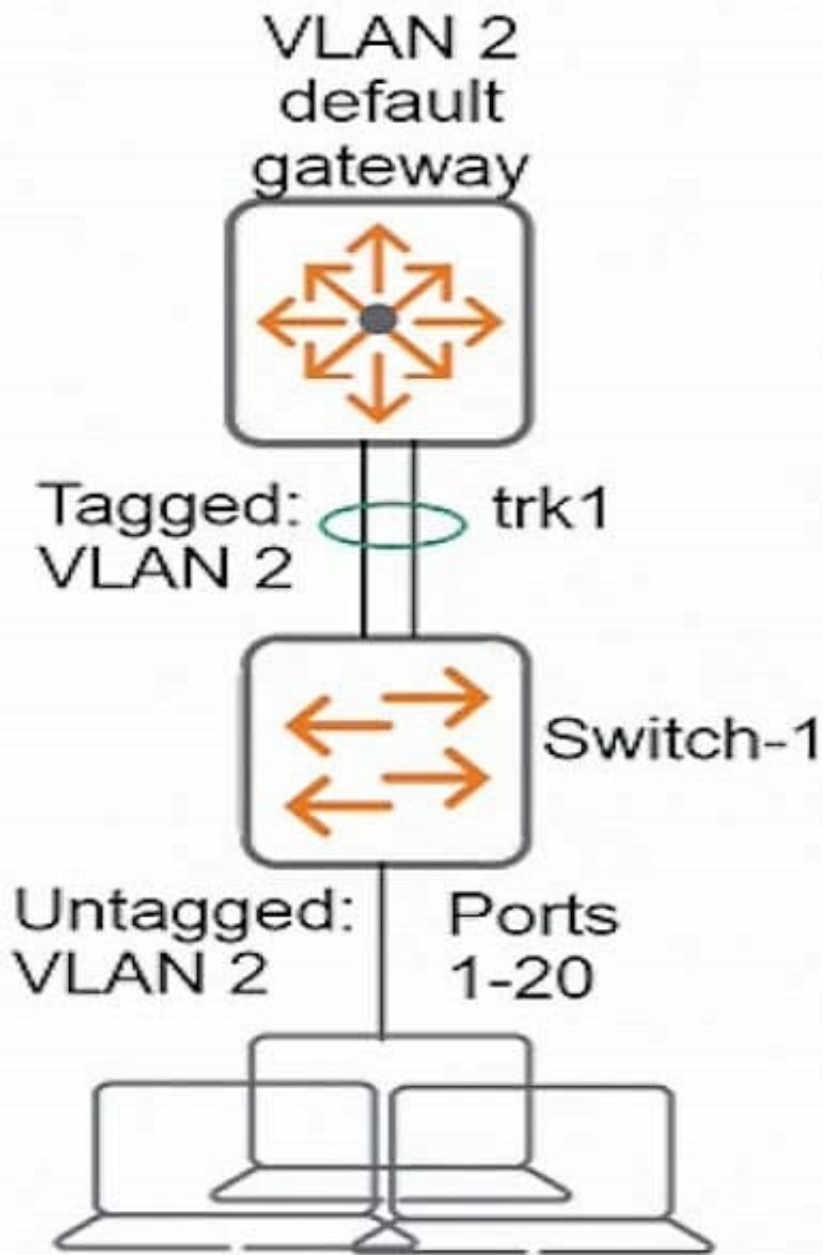
- A. ClearPass should be defined as the enhanced Web Auth (EWA) server.
- B. RADIUS MAC-Auth should be enabled on the guest ports.
- C. Web-Auth should be enabled on the guest ports.
- D. BYOD redirect should be enabled globally.

Correct Answer: B

---

### QUESTION 4

Refer to the exhibit.



A network administrator wants to prevent endpoints from spoofing the MAC address of the VLAN 2 default gateway. What should the administrator configure on Switch-1?

- A. MAC lockdown of the default gateway MAC address on ports 1-20
- B. MAC lockdown of the default gateway MAC address on trk1
- C. default gateway MAC address as a port security authorized address on trk1
- D. default gateway MAC address as a port security authorized address on ports 1-20

Correct Answer: B

**QUESTION 5**

Two AOS-Switches are directly interconnected. The network administrator wants to prevent broadcast storms and other Layer 2 issues that could occur if there is physical damage to a cable.

Which technology should the administrator implement on the connected switch interfaces?

- A. MAC Lockdown
- B. Bidirectional Forwarding Detection (BFD)
- C. Spanning Tree Root Guard
- D. Unidirectional Link Detection (UDLD)

Correct Answer: D

[Latest HPE6-A45 Dumps](#)

[HPE6-A45 PDF Dumps](#)

[HPE6-A45 Braindumps](#)