

HPE6-A72^{Q&As}

Aruba Certified Switching Associate Dumps

Pass HP HPE6-A72 Exam with 100% Guarantee

Free Download Real Questions & Answers **PDF** and **VCE** file from:

<https://www.pass2lead.com/hpe6-a72.html>

100% Passing Guarantee
100% Money Back Assurance

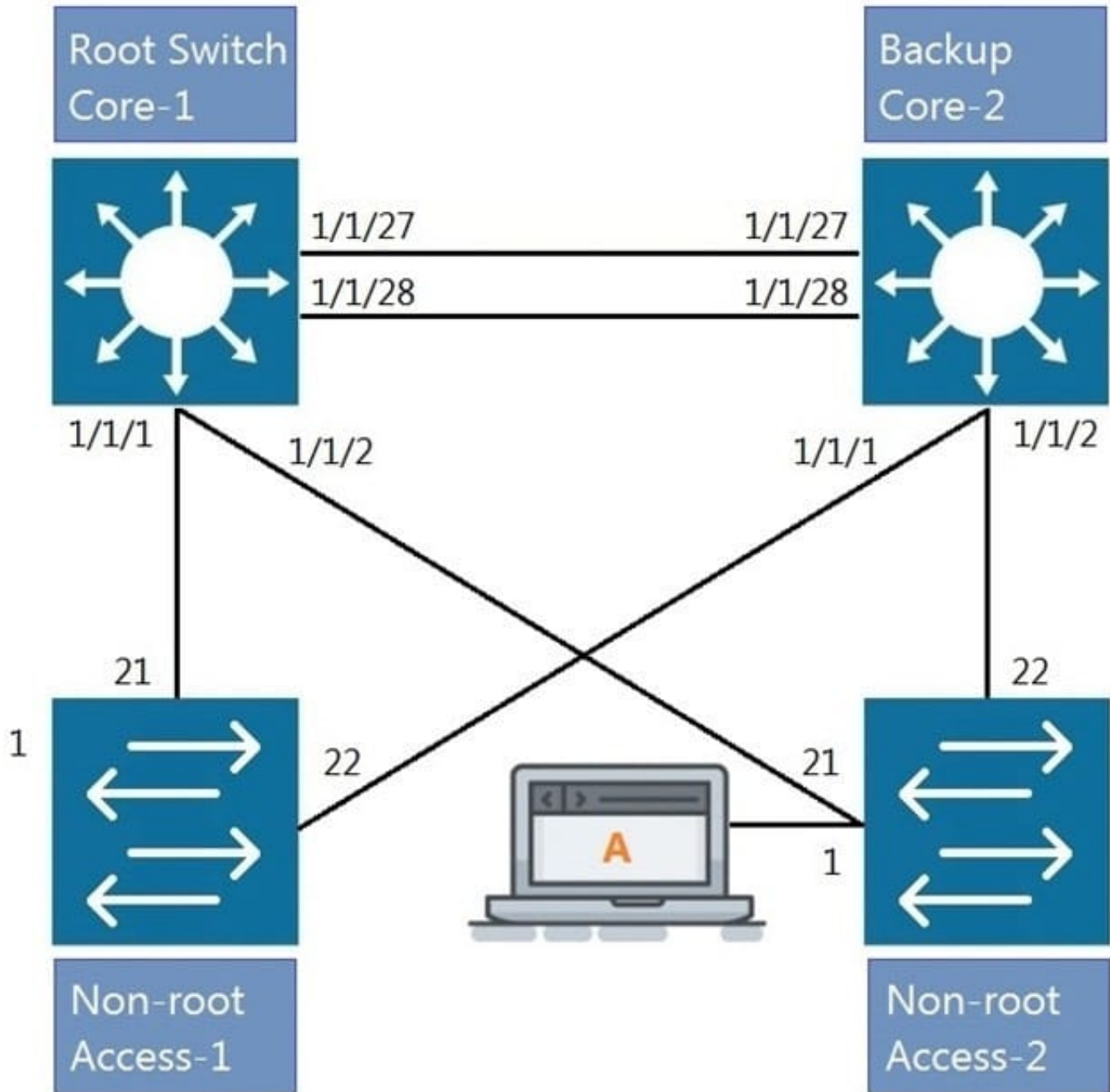
Following Questions and Answers are all new published by HP Official Exam Center

-  **Instant Download** After Purchase
-  **100% Money Back** Guarantee
-  **365 Days** Free Update
-  **800,000+** Satisfied Customers



QUESTION 1

Refer to the exhibit.



All four switches in the diagram have been configured with the region name "Aruba1".

What two other MSTP configurations must match for switches within the same MST region? (Choose two.)

- A. MST region type
- B. MST Bridge ID

- C. MST version number
- D. MST revision number
- E. MST VLAN to instance mapping

Correct Answer: DE

QUESTION 2

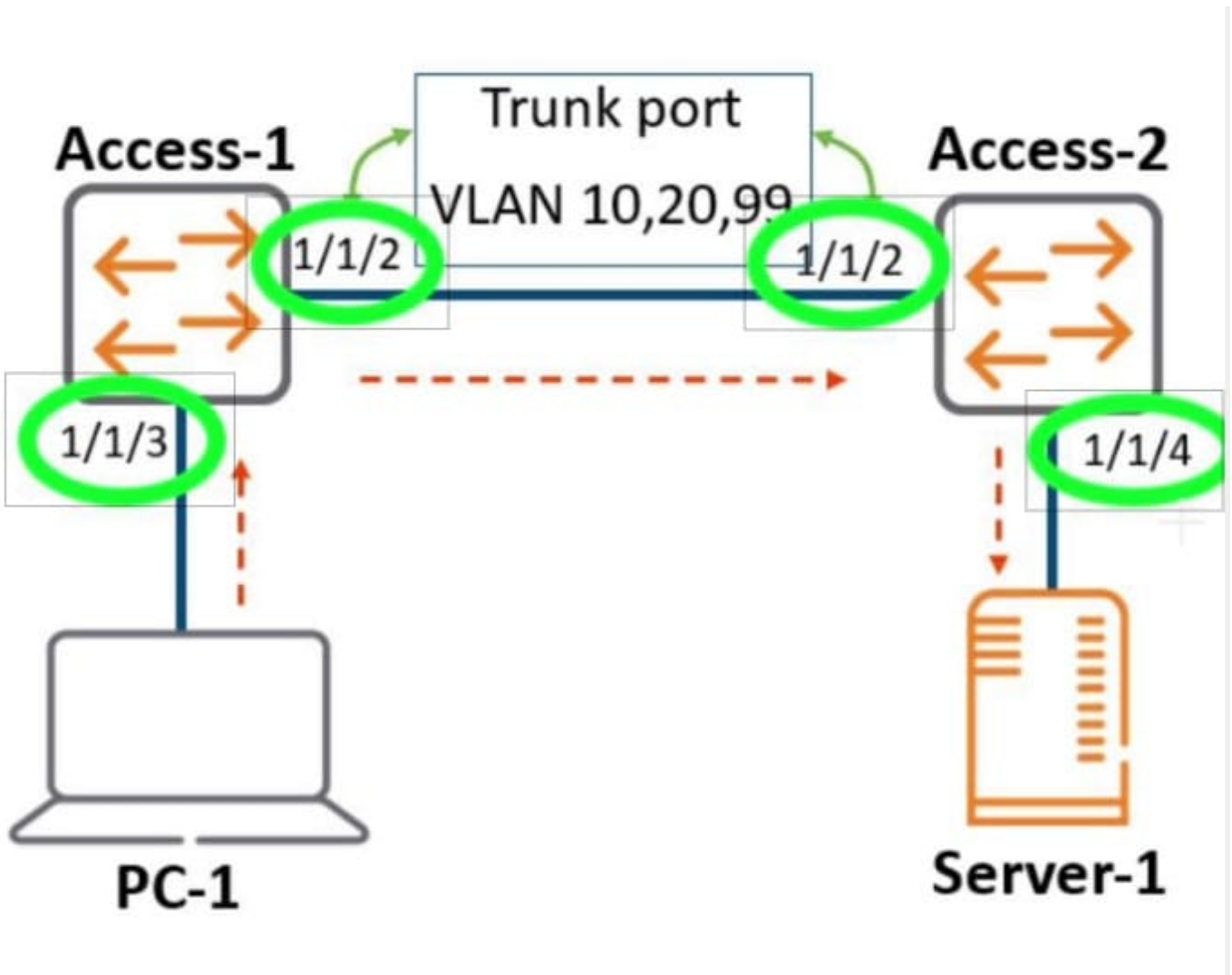
HOTSPOT

Review the exhibit.

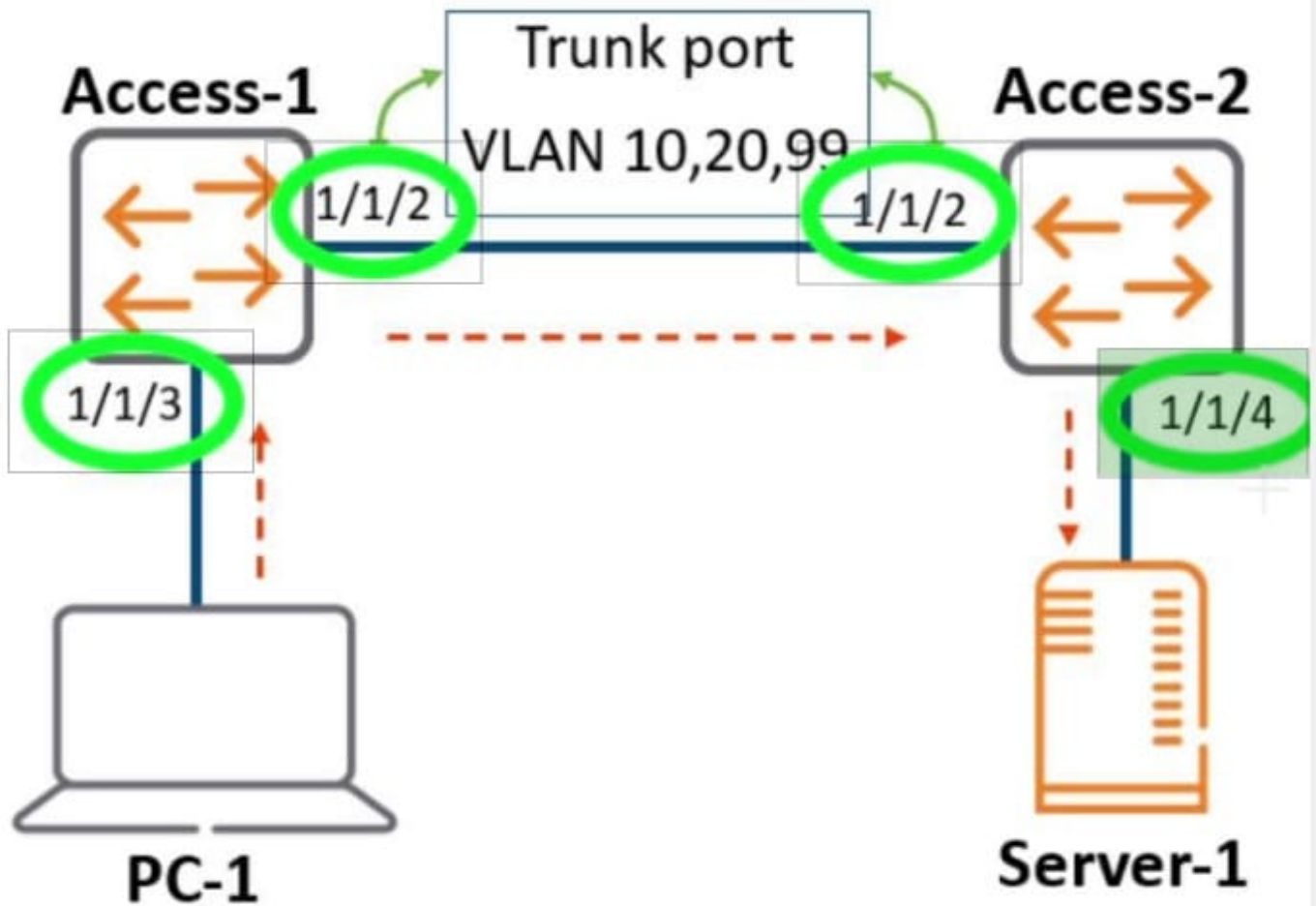
As the frame traverses from **PC-1** to **Server-1**, the VLAN tag will be removed.

Click on the interface (circled in green) where the VLAN tag will be removed.

Hot Area:



Correct Answer:



Port 1/1/4 on Access-2.

QUESTION 3

Which two statements accurately describe stacking with Aruba switches? (Choose two.)

- A. A VSF stack is allowed between an AOS-CX 6300M and 6300F switches.
- B. VSF is a core or aggregation layer stacking technology due to the high resiliency of sharing a single control plane.
- C. The VSF feature is not compatible between AOS-CX and AOS platforms.
- D. A VSF stack is allowed between an AOS 5400R and an AOS-CX 6400.
- E. VSF and VSX are stacking options with the AOS-CX 8320, 8325, 8400, and 6400 models.


Correct Answer: BE

QUESTION 4

Refer to the exhibit.

```
Switch-1(config)# show spanning-tree | exclude Disabled
```

←----- output omitted -----→

Port	Role	State	Cost	Priority	Type
1/1/1	Designated	Forwarding	4000	128	point_to_point
Lag1		Forwarding	2000	64	point_to_point
1/1/2	Designated	Forwarding	10000	128	point_to_point
1/1/3	Designated	Forwarding	20000	128	point_to_point

Switch-1 is not the root bridge. The ports shown are all the connected pointtopoint interfaces. What Role (hidden by the blue rectangle) will be assigned to the Lag 1 interface?

- A. Alternate
- B. Backup
- C. Root
- D. Designated

Correct Answer: C

QUESTION 5

Refer to the exhibit.

```
-----  
Port          Type          Product  
              Serial      Number  
              Number          Part  
              Number          Number  
-----  
1/1/1         SFP+DAC1     J9281D     CN95KBZ00X   8121-1300  
1/1/2         SFP+DAC1     J9281D     CN95KBZ086   8121-1300  
1/1/5         SFP-BT       J8177D     CN96KK232S   1990-4640  
1/1/7         SFP-BT       J8177D     CN96KK20R2   1990-4640  
1/1/8         SFP-BT       J8177D     CN96KK232F   1990-4640  
1/1/25        SFP28DAC3    JL488A     CN97KBG0BJ   8121-1743  
1/1/26        SFP28DAC3    JL488A     CN97KBG057   8121-1743  
1/1/45        SFP28DAC3    JL488A     CN97KBG0CW   8121-1743  
1/1/46        SFP28DAC3    JL488A     CN97KBG0CX   8121-1743  
1/1/47        SFP28DAC3    JL488A     CN97KBG0D6   8121-1743  
1/1/48        SFP28DAC3    JL488A     CN97KBG038   8121-1743  
Core - 1# █
```

What command (output shown above) gives the optics serial number and part number information?

- A. show interface physical
- B. show interface transceiver
- C. show inventory
- D. show interface optics

Correct Answer: B

Reference: https://techhub.hpe.com/eginfolib/networking/docs/switches/WB/15-18/5998-8162_wb_2920_mcg/content/c_h11s05.html

[HPE6-A72 Practice Test](#)

[HPE6-A72 Study Guide](#)

[HPE6-A72 Exam Questions](#)