

HPE6-A75^{Q&As}

Aruba Certified Edge Professional Exam

Pass HP HPE6-A75 Exam with 100% Guarantee

Free Download Real Questions & Answers **PDF** and **VCE** file from:

<https://www.pass2lead.com/hpe6-a75.html>

100% Passing Guarantee
100% Money Back Assurance

Following Questions and Answers are all new published by HP Official Exam Center

-  **Instant Download** After Purchase
-  **100% Money Back** Guarantee
-  **365 Days** Free Update
-  **800,000+** Satisfied Customers



QUESTION 1

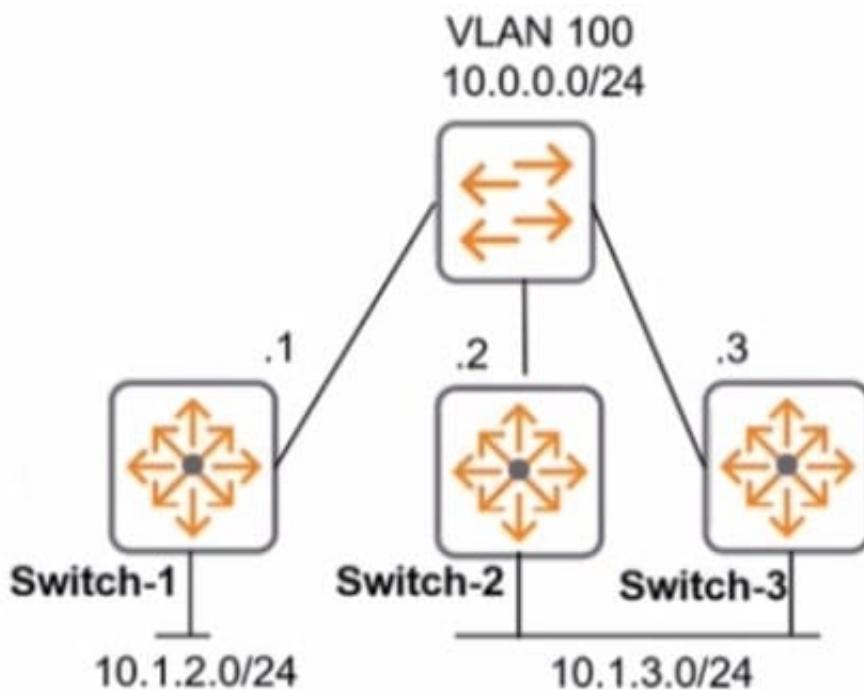
A network administrator wants to use Aruba AirWave to audit an AOS-Switch configuration. What is one requirement?

- A. The switch defines the AirWave IP address in its zero touch provisioning (ZTP) profile.
- B. The switch specifies the AirWave IP address for the RADIUS server used for Telnet and SSH authentication.
- C. The switch is authorized in AirWave, which has the correct credentials to log in as a CLI manager.
- D. The switch is set to Manage Read-Write mode in AirWave but is not set to Monitor Only + Firmware Updates.

Correct Answer: B

QUESTION 2

Refer to the exhibit.



The network administrator wants to reduce failover time if a switch link in VLAN 100 goes down. What should the administrator do?

- A. Configure echo mode BFD on VLAN 100 on all OSPF routing devices on VLAN 100.
- B. Lower the dead timer on the BDR of VLAN 100.
- C. Lower the hello timer only on the BDR of VLAN 100.
- D. Configure graceful restart on all of the OSPF routing devices on VLAN 100.

Correct Answer: A

QUESTION 3

An administrator mistakenly configures the wrong VLAN setting on a managed controller's interface. This causes the controller to lose management access to the Mobility Master (MM).

Which mechanism will then attempt to restore the previous working configuration on the managed controller?

- A. disaster recovery
- B. auto-rollback
- C. restore config
- D. bulk configuration

Correct Answer: B

QUESTION 4

Refer to the exhibit.

Exhibit 1

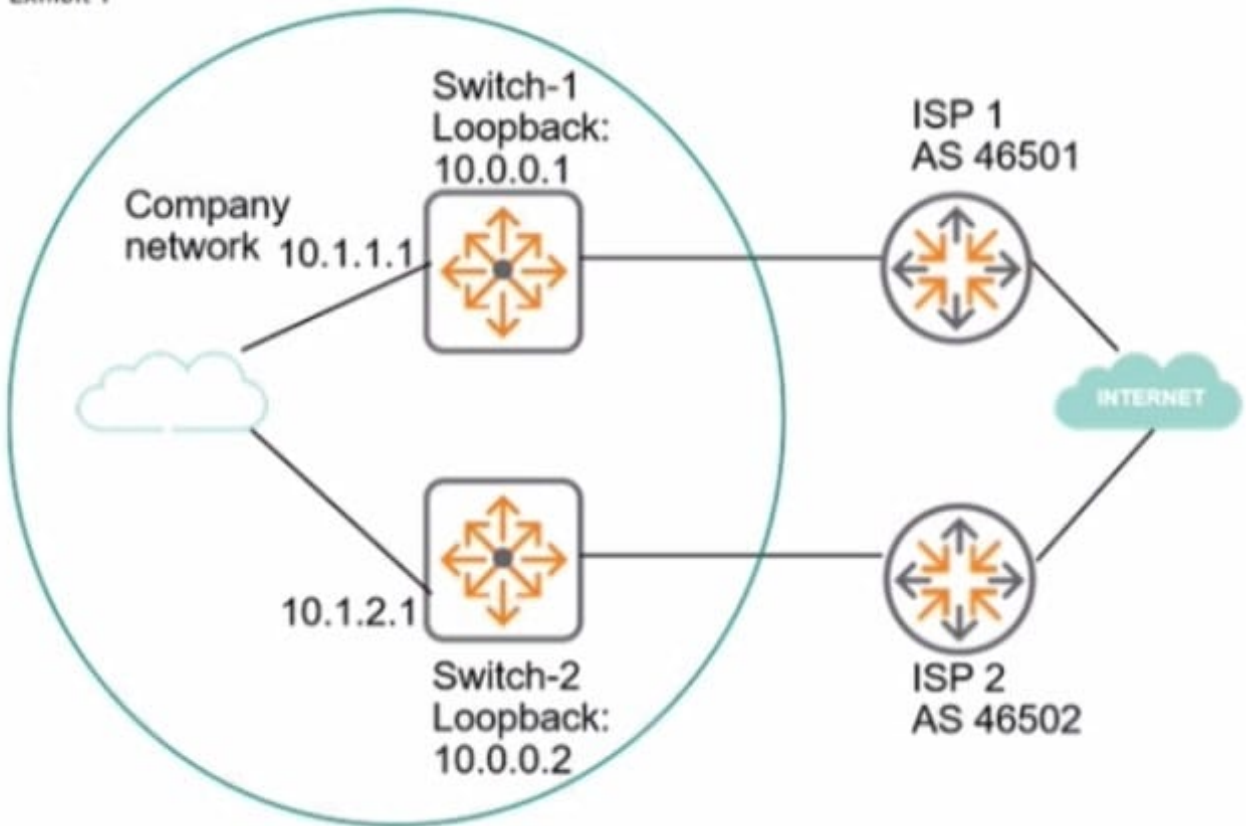


Exhibit 2

```
Switch-1# show ip bgp summary
```

```
Peer Information
```

Remote Address	Remote-AS	Local-AS	State	Admin Status
10.0.0.2	46500	46500	Connect	Start

```
Switch-1# show running-config router bgp
```

```
Running configuration:
```

```
router bgp 46500
  enable
  neighbor 10.0.0.2 remote-as 46500
  exit
```

```
Switch-2# show ip bgp summary
```

```
Peer Information
```

Remote Address	Remote-AS	Local-AS	State	Admin Status
10.0.0.1	46500	46500	Connect	Start

```
Switch-2# show running-config router bgp
```

```
Running configuration:
```

```
router bgp 46500
  enable
  neighbor 10.0.0.1 remote-as 46500
  exit
```

The network administrator needs to set up BGP between the two company switches. Switch-1 and Switch

2. The BGP connection does not establish. Based on the exhibits, what does the administrator need to do to fix the issue?

- A. Enable the multihop option for the neighbor on each of the switches.
- B. Enter the network command for 10.0.0.0/24 in the router BGP mode on each switch.
- C. Enable BGP on the interfaces that the switches use to reach each other.
- D. Set the update source for the neighbor to the local loopback interface on each switch.

Correct Answer: D

QUESTION 5

Refer to the exhibit.

The screenshot shows a network configuration interface. On the left is a navigation menu with the following items: Start Here, Certificate Authorities, Management and Control, Configuration (expanded), Start Here, Network Settings (highlighted), iOS Settings, Windows Applications, Deployment and Provisioning, and Self-Service Portal. The main configuration area is titled 'Employee Secure' and contains the following fields:

- Name:** Employee Secure (text input)
- Description:** Connect to the example network. (text area)
- Network Type:** Wireless only (dropdown menu)
- Security Type:** Enterprise (802.1X) (dropdown menu)
- Wireless Network Settings:**
 - Security Version:** WPA2 with AES (recommended) (dropdown menu)
 - SSID:** secure_emp (text input)
 - Wireless:** Hidden network

Exhibit: accp67-534

Which statements accurately describe the status of the Onboarded devices in the configuration for the network settings shown? (Select two.)

- A. They will connect to Employee_Secure SSID after provisioning.
- B. They will connect to Employee_Secure SSID for provisioning their devices.
- C. They will use WPA2-PSK with AES when connecting to the SSID.
- D. They will connect to secure_emp SSID after provisioning.
- E. They will perform 802.1X authentication when connecting to the SSID.

Correct Answer: DE