

HPE6-A80^{Q&As}

Aruba Certified Design Expert Written

Pass HP HPE6-A80 Exam with 100% Guarantee

Free Download Real Questions & Answers **PDF** and **VCE** file from:

<https://www.pass2lead.com/hpe6-a80.html>

100% Passing Guarantee
100% Money Back Assurance

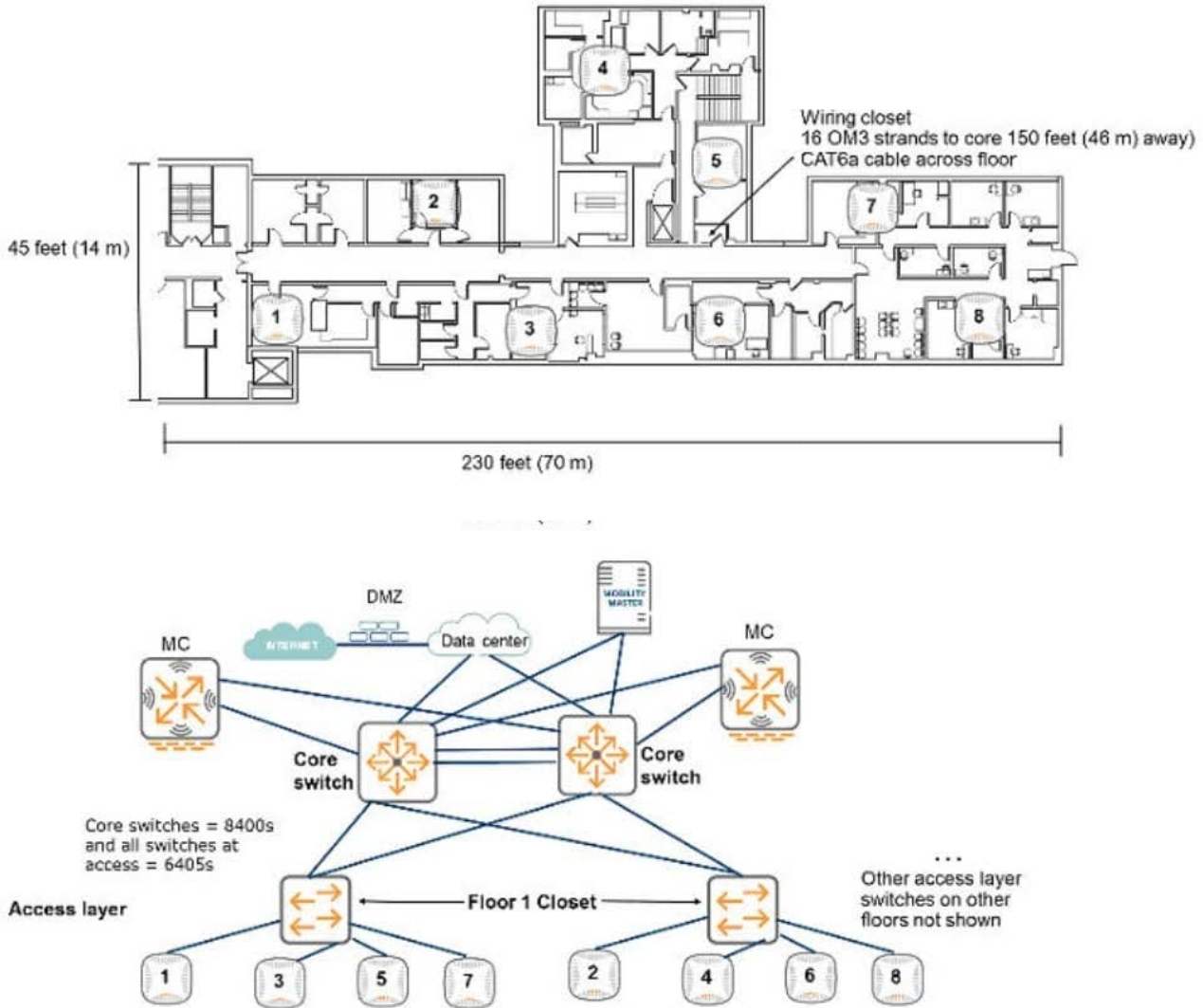
Following Questions and Answers are all new published by HP Official Exam Center

-  **Instant Download** After Purchase
-  **100% Money Back** Guarantee
-  **365 Days** Free Update
-  **800,000+** Satisfied Customers



QUESTION 1

Refer to the exhibit.



A customer needs to support resilient wireless services

What is one way that this design helps to minimize the impact of a failed access layer switch on these services?

- A. The switches support Smart Rate and dual home AP connections.
- B. The 8400s and G405s use Virtual Switching Extension (VSX) in core and access.
- C. Each access layer switch has two redundant links to the core.
- D. APs in the same area connect to different switches.

Correct Answer: A

QUESTION 2

Refer to the exhibit.

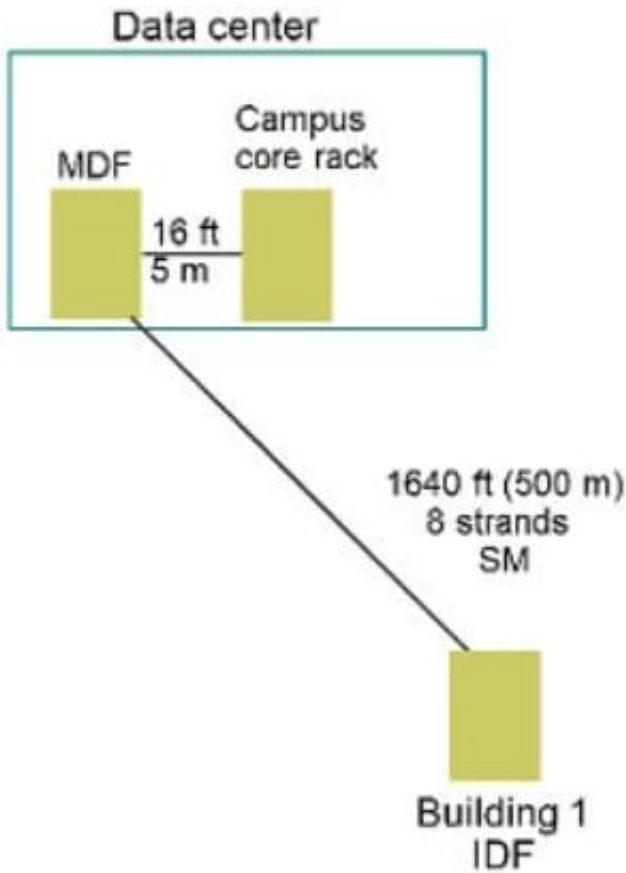


Exhibit: A49.01114316-102

The architect has determined that this building requires two 10GPE links to the data center.

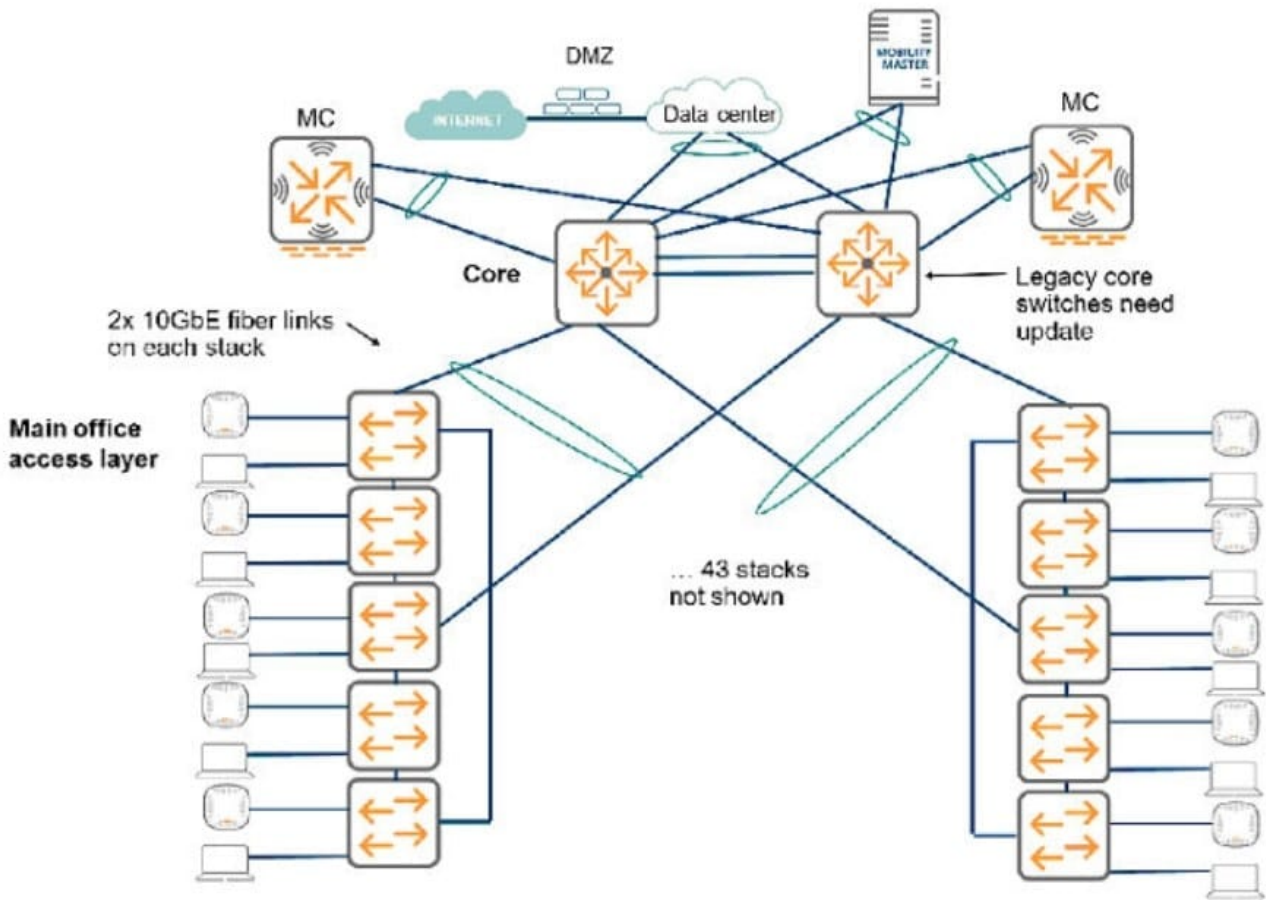
What is the correct transceiver type for the links?

- A. 3FP+ LRM with mode conditioning
- B. SFP+ SR
- C. SFP+ LRM
- D. SFP+ LR

Correct Answer: C

QUESTION 3

Refer to the exhibit.



A customer requires a core switching solution for a very large multi-building campus with about 30,000 wireless clients and devices. The network will have a flat topology as shown in the exhibit, and MCs will forward all wireless traffic to the

core for routing.

The customer had considered Aruba 5400R Series switches, but the architect recommends Aruba S320 switches Instead.

How should the architect justify this recommendation?

- A. The 8320 switches are required to eliminate the aggregation layer as the customer desires.
- B. The 3320 switches offer more extensive mobility integration features with Aruba MCs and APs than the 54C0R Series switches do.
- C. The 3320 switches support a higher density of 10GbE fiber ports than the 5400R Series.
- D. The 8320 switches have greater performance and larger ARP tables than the 54Q0R Series, as is necessary for a network this size.

Correct Answer: B

QUESTION 4

Refer to the exhibit.

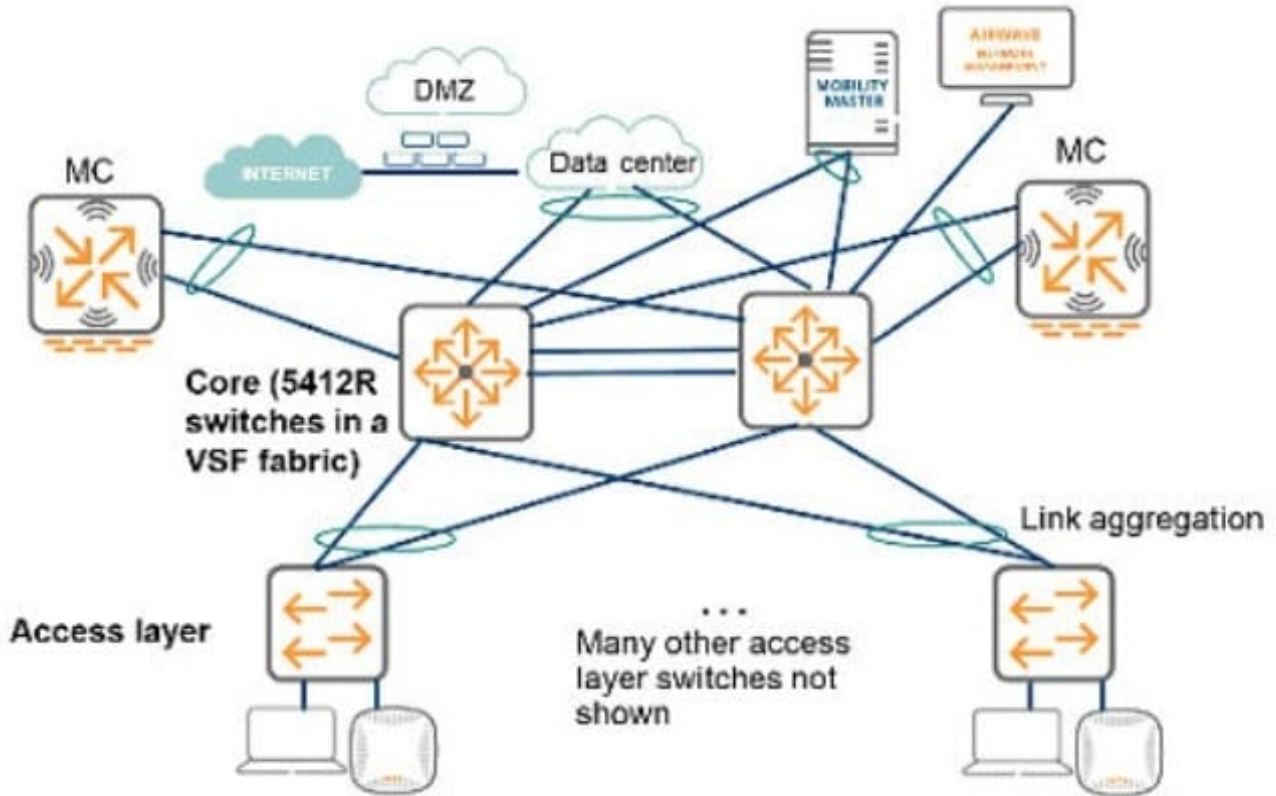


Exhibit: A49.01114316-12

The exhibit shows the design for an existing network. The customer intends to replace the current Core switches with two Aruba 8400 switches.

What are two points that the architect should ensure that the customer understands? (Select two.)

- A. The 8400 switches do not support VSF.
- B. The 8400 switches cannot be monitored by AirWave.
- C. The 8400 switches run different software than the 5400R switches.
- D. The 8400 switches have a smaller ARP table than the 5400R switches.
- E. The 8400 switches are fixed port switches.

Correct Answer: CD

QUESTION 5

Refer to the exhibit.

A customer has an existing network with ArubaOS switches, Aruba 7205 controller, and 802.11ac APs. The customer needs a wired upgrade for their campus network and wireless upgrade with 802.11ax APs and would like to get all the

functions of AP.

The customer has one building with 3 floors with the following wired devices,

*

8 printers

*

security cameras

The architect plans to propose 75 AP-535s.

The security cameras are a high definition pan-tilt-zoom with heaters for harsh environments that require more than 45 W to function,

Which exhibit shows an access switch that meets the customer needs?

A.

Option A

B.

Option B

C.

Option C

D.

Option D

Correct Answer: D

* 200 VOIP phones

* 8 printers

* security cameras

The architect plans to propose 75 AP-535s.

The security cameras are a high definition pan-tilt-zoom with heaters for harsh environments that require more than 45 W to function,

Which exhibit shows an access switch mat meets the customer needs?

Ⓐ. Quotation - Composite View

Line#	Part Number	Description	Manufacturer	Unit Price
1.0	JZ337A	Aruba AP-535 (US) Unified AP	Hewlett Packard Enter...	\$1,570.00
1.1	HG6E5E	Aruba 1Y FC NBD Exch AP 535 SVC [for JZ337A]	Hewlett Packard Enter...	\$66.00
1.2	JZ370A	AP-MNT-MP10-A AP mount bracket 10-pack A [split order]	Hewlett Packard Enter...	\$205.00
2.0	JZ337A	Aruba AP-535 (US) Unified AP	Hewlett Packard Enter...	\$1,570.00
2.1	HG6E5E	Aruba 1Y FC NBD Exch AP 535 SVC [for JZ337A]	Hewlett Packard Enter...	\$66.00
2.2	R3115A	AP-MNT-A AP mount bracket individual A: suspended ceilin...	Hewlett Packard Enter...	\$30.00
3.0	JL665A	Aruba 6300F 48G CL4 PoE 4SFP56 Switch	Hewlett Packard Enter...	\$11,199.00
3.1	JL665A	ABA INCLUDED: Power Cord - U.S. localization	Hewlett Packard Enter...	incl.
3.2	HRSU1E	HPE 1Y FC NBD Exch Aruba6300F 48 PoE SVC [for JL665A]	Hewlett Packard Enter...	\$559.00
3.3	H8XE6E	HPE Aruba 6x00N800x Install Swt SVC [for JL665A]	Hewlett Packard Enter...	\$1,000.00
3.4	J9150D	Aruba 10G SFP+ LC SR 300m MMF Transceiver	Hewlett Packard Enter...	\$1,040.00

Ⓑ. Quotation - Composite View

Line#	Part Number	Description	Manufacturer	Unit Price
1.0	JL726A	Aruba 6200F 48G 4SFP+ Switch	Hewlett Packard Enter...	\$5,219.00
1.1	JL726A	ABA INCLUDED: Power Cord - U.S. localization	Hewlett Packard Enter...	incl.
1.2	HR1E2E	Aruba 1Y FC NBD Exch 6200F 48G SVC [for JL726A]	Hewlett Packard Enter...	\$214.00
1.3	H8XE6E	HPE Aruba 6x00N800x Install Swt SVC [for JL726A]	Hewlett Packard Enter...	\$1,000.00
1.4	J9150D	Aruba 10G SFP+ LC SR 300m MMF Transceiver	Hewlett Packard Enter...	\$1,040.00
2.0	JZ337A	Aruba AP-535 (US) Unified AP	Hewlett Packard Enter...	\$1,570.00
2.1	HG6E5E	Aruba 1Y FC NBD Exch AP 535 SVC [for JZ337A]	Hewlett Packard Enter...	\$66.00
2.2	JZ370A	AP-MNT-MP10-A AP mount bracket 10-pack A [split order]	Hewlett Packard Enter...	\$205.00
3.0	JZ337A	Aruba AP-535 (US) Unified AP	Hewlett Packard Enter...	\$1,570.00
3.1	HG6E5E	Aruba 1Y FC NBD Exch AP 535 SVC [for JZ337A]	Hewlett Packard Enter...	\$66.00
3.2	R3115A	AP-MNT-A AP mount bracket individual A: suspended ceilin...	Hewlett Packard Enter...	\$30.00
Quote Total				

Ⓒ. Quotation - Composite View

Line#	Part Number	Description	Manufacturer	Unit Price
1.0	JZ337A	Aruba AP-535 (US) Unified AP	Hewlett Packard Enter...	\$1,570.00
1.1	HG6E5E	Aruba 1Y FC NBD Exch AP 535 SVC [for JZ337A]	Hewlett Packard Enter...	\$66.00
1.2	JZ370A	AP-MNT-MP10-A AP mount bracket 10-pack A [split order]	Hewlett Packard Enter...	\$205.00
2.0	JZ337A	Aruba AP-535 (US) Unified AP	Hewlett Packard Enter...	\$1,570.00
2.1	HG6E5E	Aruba 1Y FC NBD Exch AP 535 SVC [for JZ337A]	Hewlett Packard Enter...	\$66.00
2.2	R3115A	AP-MNT-A AP mount bracket individual A: suspended ceilin...	Hewlett Packard Enter...	\$30.00
3.0	JL659A	Aruba 6300M 48SR5 CL6 PoE 4SFP56 Switch	Hewlett Packard Enter...	\$15,499.00
3.1	HL6F6E	HPE 1Y FC NBD ExchAruba6300M48P SRPoESVC [for JL65...	Hewlett Packard Enter...	\$784.00
3.2	H8XE6E	HPE Aruba 6x00N800x Install Swt SVC [for JL659A]	Hewlett Packard Enter...	\$1,000.00
3.3	JL086A	Aruba X372 54VDC 680W Power Supply	Hewlett Packard Enter...	\$749.00
3.4	JL086A	ABA INCLUDED: Power Cord - U.S. localization	Hewlett Packard Enter...	incl.
3.5	J9150D	Aruba 10G SFP+ LC SR 300m MMF Transceiver	Hewlett Packard Enter...	\$1,040.00
Quote Total				

Ⓓ. Quotation - Composite View

Line#	Part Number	Description	Manufacturer	Unit Price
1.0	JL728A	Aruba 6200F 48G Class4 PoE 4SFP+ 740W Switch	Hewlett Packard Enter...	\$7,449.00
1.1	JL728A	ABA INCLUDED: Power Cord - U.S. localization	Hewlett Packard Enter...	incl.
1.2	HL2K8E	Aruba 1Y FC NBD Exch 6200F 48G 740POESVC [for JL728A]	Hewlett Packard Enter...	\$356.00
1.3	H8XE6E	HPE Aruba 6x00N800x Install Swt SVC [for JL728A]	Hewlett Packard Enter...	\$1,000.00
1.4	J9150D	Aruba 10G SFP+ LC SR 300m MMF Transceiver	Hewlett Packard Enter...	\$1,040.00
2.0	JZ337A	Aruba AP-535 (US) Unified AP	Hewlett Packard Enter...	\$1,570.00
2.1	HG6E5E	Aruba 1Y FC NBD Exch AP 535 SVC [for JZ337A]	Hewlett Packard Enter...	\$66.00
2.2	JZ370A	AP-MNT-MP10-A AP mount bracket 10-pack A [split order]	Hewlett Packard Enter...	\$205.00
3.0	JZ337A	Aruba AP-535 (US) Unified AP	Hewlett Packard Enter...	\$1,570.00
3.1	HG6E5E	Aruba 1Y FC NBD Exch AP 535 SVC [for JZ337A]	Hewlett Packard Enter...	\$66.00
3.2	R3115A	AP-MNT-A AP mount bracket individual A: suspended ceilin...	Hewlett Packard Enter...	\$30.00
Quote Total				

*

200 VOIP phones

[Latest HPE6-A80 Dumps](#)

[HPE6-A80 Practice Test](#)

[HPE6-A80 Braindumps](#)