

# ISEE-TEST<sup>Q&As</sup>

Independent School Entrance Examination

## Pass Test Prep ISEE-TEST Exam with 100% Guarantee

Free Download Real Questions & Answers **PDF** and **VCE** file from:

<https://www.pass2lead.com/isee-test.html>

100% Passing Guarantee  
100% Money Back Assurance

Following Questions and Answers are all new published by Test Prep Official Exam Center

- ⚙️ **Instant Download** After Purchase
- ⚙️ **100% Money Back** Guarantee
- ⚙️ **365 Days** Free Update
- ⚙️ **800,000+** Satisfied Customers



**QUESTION 1**

Paige has 5 more toys than Jordan and 8 more toys than Bill. Altogether, the three friends have 20 toys.

How many toys does Jordan have?

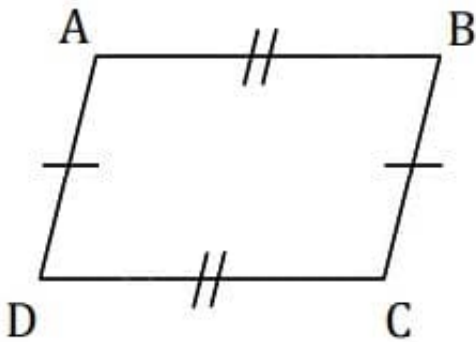
- A. 6
- B. 8
- C. 11
- D. 16

Correct Answer: A

---

**QUESTION 2**

What kind of quadrilateral is ABCD?



- A. square
- B. rhombus
- C. parallelogram
- D. rectangle

Correct Answer: C

---

**QUESTION 3**

Which number is divisible by 9 with a remainder of 1?

- A. 181
- B. 180

C. 179

D. 178

Correct Answer: A

---

**QUESTION 4**

Select the word that is most nearly the same in meaning as the word in capital letters.

GLOSS

A. soap

B. illness

C. luster

D. shell

Correct Answer: C

---

**QUESTION 5**

The main purpose of the passage is to: A. inform the reader about a service that offers braille and talking books to the blind and physically handicapped.

1 Whether for escape, enlightenment, or 23 disability that makes it difficult to hold a book.  
2 pure joy, books allow us to connect to other 24 Thousands of bestsellers, classics, biographies,  
3 places and times. Fortunately for the millions 25 nonfiction works, and more can be  
4 of Americans who have impaired vision or a 26 downloaded from the Internet or ordered for  
5 physical disability, there are braille and talking 27 home delivery through a nationwide network  
6 books from NLS. 28 of cooperating libraries.  
7 NLS is the National Library Service for 29 Those with cerebral palsy, multiple  
8 the Blind and Physically Handicapped, part of 30 sclerosis, loss of the use of their arms or hands,  
9 the Library of Congress. Established in 1931, 31 or prolonged weakness can access the NLS  
10 the organization's mission is to enrich the lives 32 collection. So, too, can people with temporary  
11 of its patrons by offering them books, 33 limitations resulting from strokes or accidents.  
12 magazines, music scores, and other materials 34 Now avid readers like San Francisco resident  
13 in audio and braille at no charge. Unlike 35 Ivana Kirola, 38, who suffers from cerebral  
14 traditional audiobooks that are provided at 36 palsy, can continue to satisfy their interests,  
15 public libraries or sold at retail bookstores, 37 which for Kirola range from politics, to travel,  
16 audiobooks offered by NLS are unabridged, 38 to music. "I really appreciate the services from  
17 extensive and diverse, and are designed 39 NLS," Kirola says. "They help me in my daily  
18 specifically for people who are unable to read 40 life, in understanding people and keeping up to  
19 regular print. 41 date with the news. My favorite part of NLS is  
20 NLS provides its services to any U.S. 42 the widened horizons that reading audiobooks  
21 resident or U.S. citizen living abroad who is 43 gives to me."  
22 blind, has low vision, or has a physical

- B. explain why reading should be a part of every person's life, regardless of disabilities.
- C. argue that the rise of television has caused people to read less than they should.
- D. compare traditional audiobooks with the audiobooks provided by NLS.

Correct Answer: A

[Latest ISEE-TEST Dumps](#)

[ISEE-TEST PDF Dumps](#)

[ISEE-TEST Study Guide](#)