

# JN0-1302<sup>Q&As</sup>

Data Center Design Specialist (JNCDS-DC)

**Pass Juniper JN0-1302 Exam with 100% Guarantee**

Free Download Real Questions & Answers **PDF** and **VCE** file from:

<https://www.pass2lead.com/jn0-1302.html>

100% Passing Guarantee  
100% Money Back Assurance

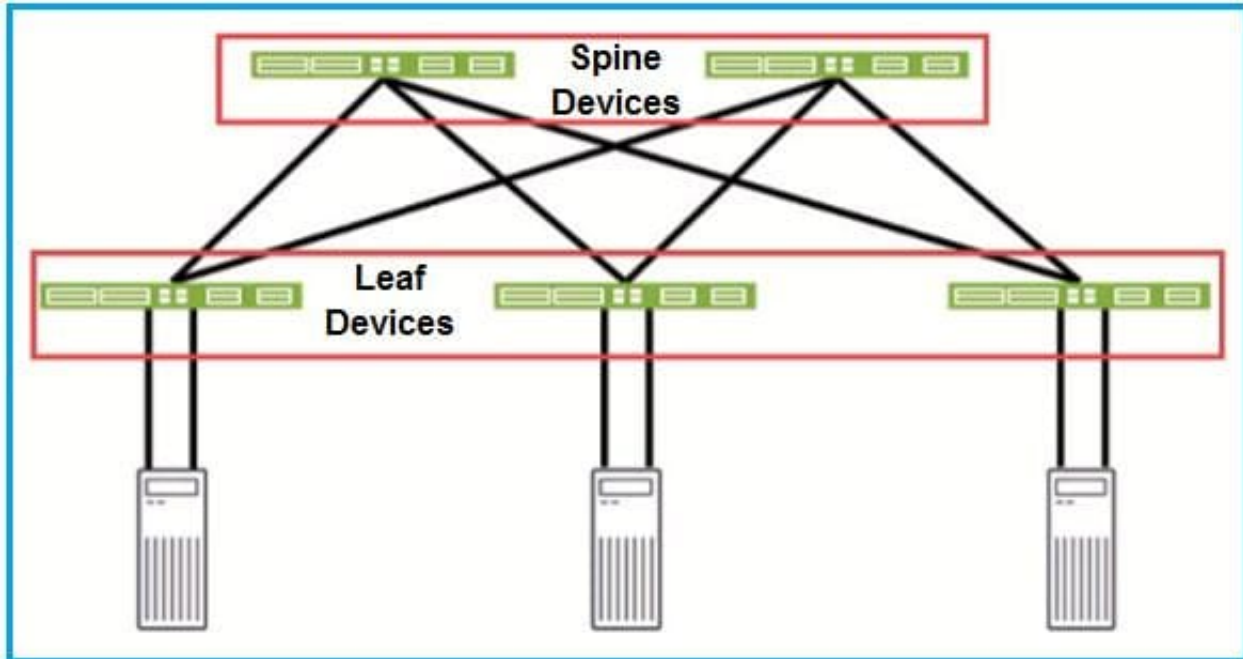
Following Questions and Answers are all new published by Juniper  
Official Exam Center

- ⚙️ **Instant Download** After Purchase
- ⚙️ **100% Money Back** Guarantee
- ⚙️ **365 Days** Free Update
- ⚙️ **800,000+** Satisfied Customers



**QUESTION 1**

Click the Exhibit button.



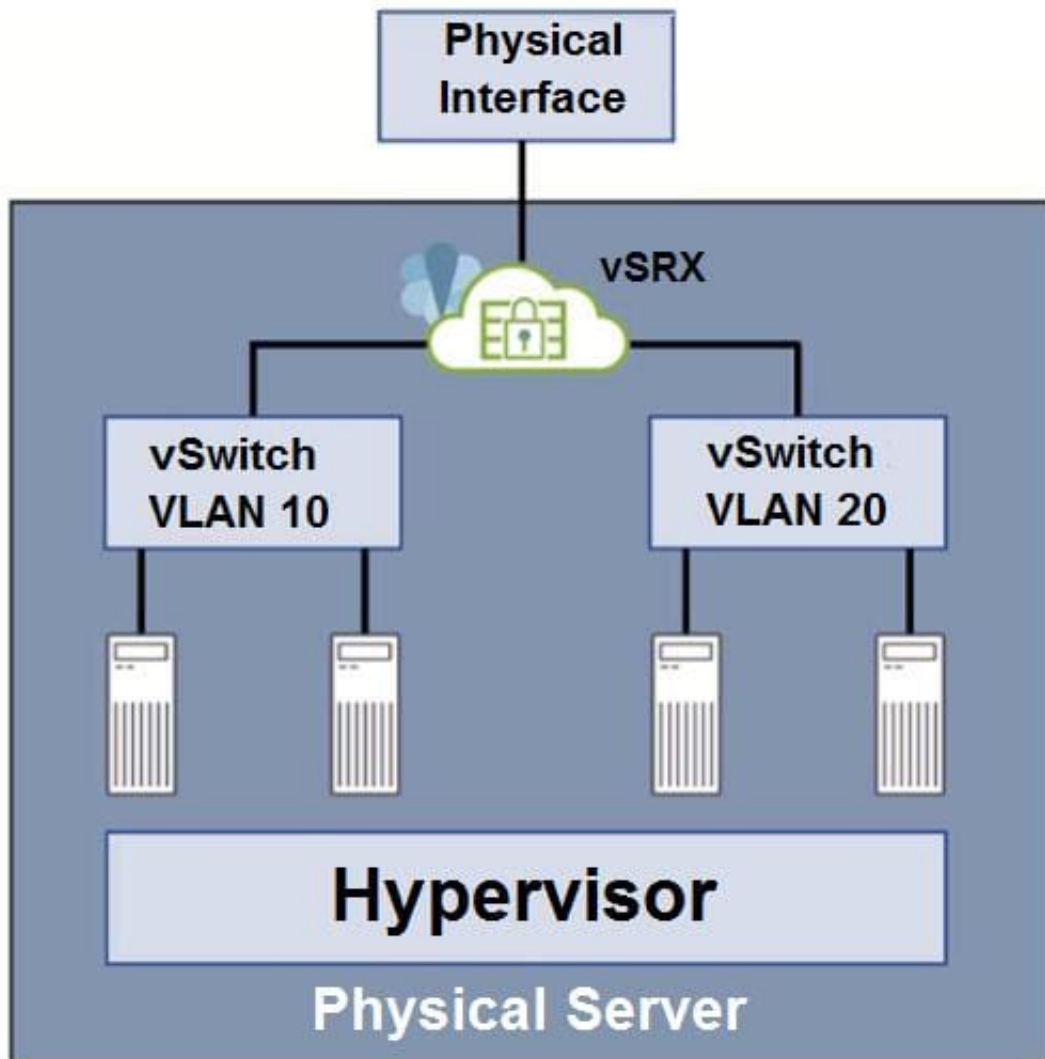
Referring to the exhibit, which two statements are correct? (Choose two.)

- A. You should use CoS schedulers for traffic leaving the spine devices and going to the leaf devices.
- B. You should use CoS schedulers for traffic leaving the leaf devices and going to the spine devices.
- C. You should use CoS schedulers for traffic coming into the spine devices from the leaf devices.
- D. You should use CoS schedulers for traffic coming into the leaf devices from the servers.

Correct Answer: AB

**QUESTION 2**

Click the Exhibit button.



Referring to the exhibit, which two statements are true? (Choose two.)

- A. The vSRX is not performing microsegmentation.
- B. The vSRX is working in routed mode.
- C. The vSRX is working in transparent mode.
- D. The vSRX is performing microsegmentation.

Correct Answer: BD

### QUESTION 3

You are asked to design a new data center connection where connections between switches will be encrypted for Layer 2 traffic.

In this scenario, which solution will provide the required encryption?

- A. SSL
- B. TLS
- C. IPsec
- D. MACsec

Correct Answer: D

---

#### QUESTION 4

A customer has concerns about various groups having the ability to easily access their corporate network infrastructure. They want to implement tighter controls for network infrastructure system access.

Which three actions will accomplish this task? (Choose three.)

- A. Open console port access.
- B. Disable root access.
- C. Use a secure access VPN.
- D. Provide local passwords.
- E. Use RADIUS accounting.

Correct Answer: BCE

---

#### QUESTION 5

You are responsible for the uptime of a Clos IP fabric that has an EBGp implementation. When the EBGp implementation is restarted on a router, it causes a routing flap.

In this scenario, which BGP feature would prevent downtime?

- A. EBGp multihop
- B. BGP route preference
- C. EBGp local preference
- D. BGP graceful restart

Correct Answer: D