

JN0-1302^{Q&As}

Data Center Design Specialist (JNCDS-DC)

Pass Juniper JN0-1302 Exam with 100% Guarantee

Free Download Real Questions & Answers **PDF** and **VCE** file from:

<https://www.pass2lead.com/jn0-1302.html>

100% Passing Guarantee
100% Money Back Assurance

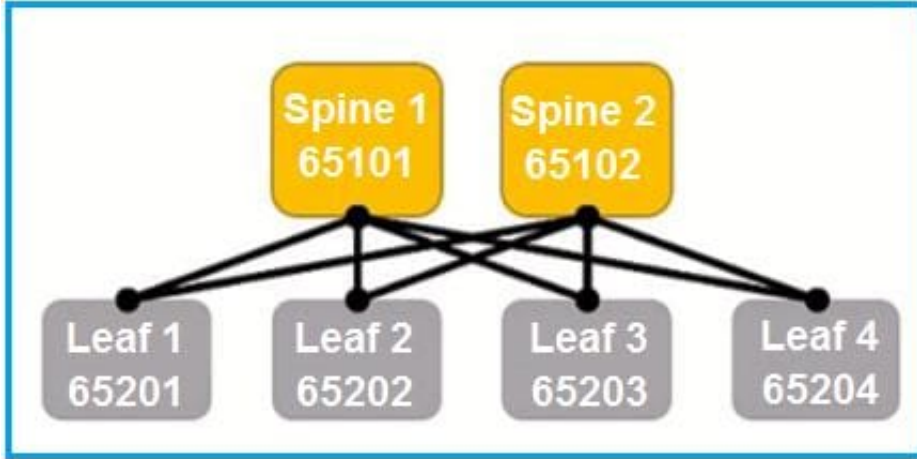
Following Questions and Answers are all new published by Juniper
Official Exam Center

- ⚙️ **Instant Download** After Purchase
- ⚙️ **100% Money Back** Guarantee
- ⚙️ **365 Days** Free Update
- ⚙️ **800,000+** Satisfied Customers



QUESTION 1

Click the Exhibit button.



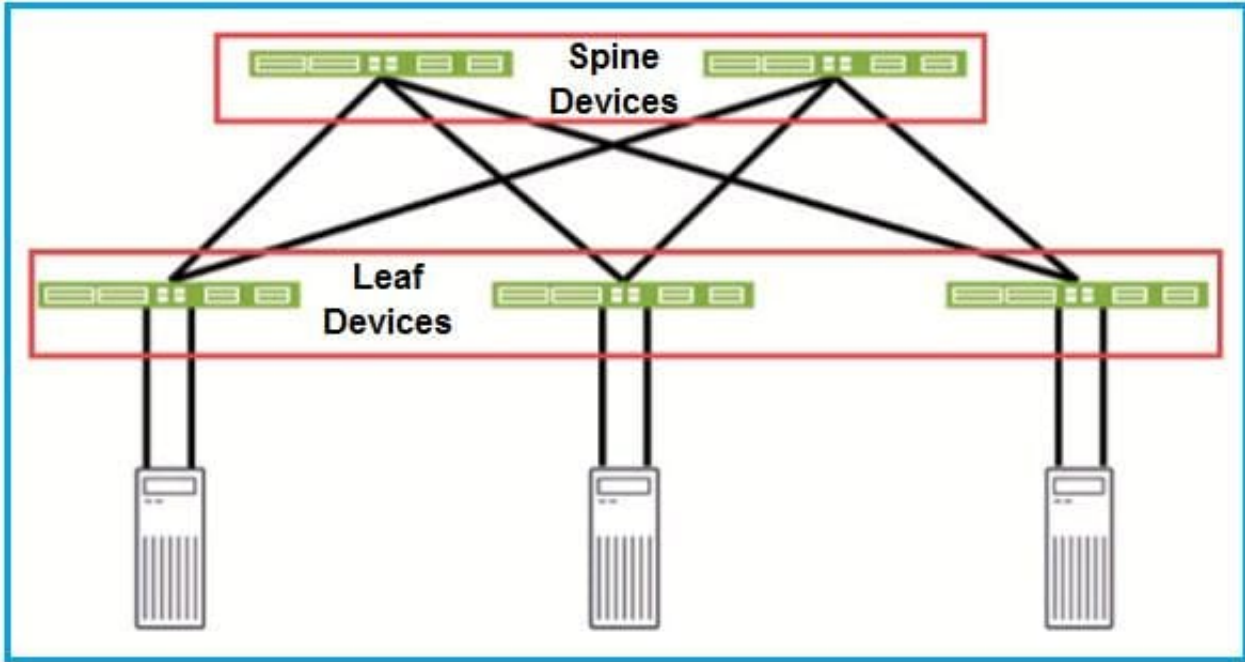
For a fully configured and functional IP fabric underlay as shown in the exhibit, how many external BGP neighbors are expected to be in the established state for Spine 1?

- A. 2
- B. 5
- C. 4
- D. 3

Correct Answer: C

QUESTION 2

Click the Exhibit button.



Referring to the exhibit, which two statements are correct? (Choose two.)

- A. You should use CoS schedulers for traffic leaving the spine devices and going to the leaf devices.
- B. You should use CoS schedulers for traffic leaving the leaf devices and going to the spine devices.
- C. You should use CoS schedulers for traffic coming into the spine devices from the leaf devices.
- D. You should use CoS schedulers for traffic coming into the leaf devices from the servers.

Correct Answer: AB

QUESTION 3

You are developing an automation strategy and have been given the requirements below.

The tool chosen must be supported by multiple vendors.

The tool chosen must not install a client on the networking devices.

The tool chosen must support open standards communication methods.

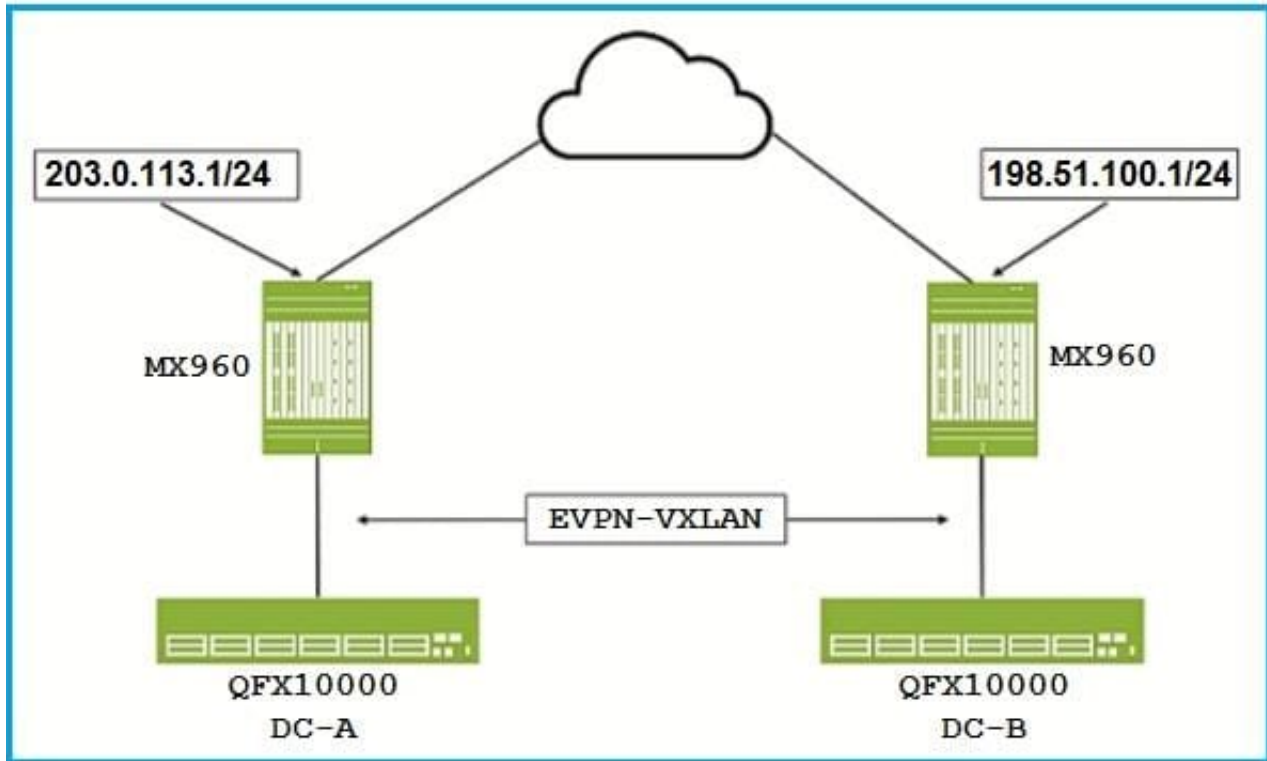
Which tool satisfies the requirements?

- A. Ansible
- B. SLAX
- C. Chef
- D. Puppet

Correct Answer: A

QUESTION 4

Click the Exhibit button.



You are designing a Data Center Interconnect to transport VXLAN traffic between DC-A and DC-B.

Which two technologies will allow the MX Series routers to transport the VXLAN packets over the WAN, as shown in the exhibit? (Choose two.)

- A. Layer 2 VPN
- B. Layer 3 VPN
- C. VPLS
- D. IP routing

Correct Answer: BC

QUESTION 5

You are inspecting a small data center your company just purchased. You notice several blank panels and cable management system components in a storage room that are not installed on the equipment racks. In this scenario, which two statements would you include in your inspection report? (Choose two.)

- A. The blank panels were removed to improve cooling air flow through the racks.
- B. The cable management system function is cosmetic only and is not necessary.

- C. The cable management system should be installed as soon as possible.
- D. The blank panels should be installed as soon as possible.

Correct Answer: CD

[JN0-1302 PDF Dumps](#)

[JN0-1302 Practice Test](#)

[JN0-1302 Study Guide](#)