

# JN0-1361<sup>Q&As</sup>

Service Provider Design Specialist (JNCDS-SP)

**Pass Juniper JN0-1361 Exam with 100% Guarantee**

Free Download Real Questions & Answers **PDF** and **VCE** file from:

<https://www.pass2lead.com/jn0-1361.html>

100% Passing Guarantee  
100% Money Back Assurance

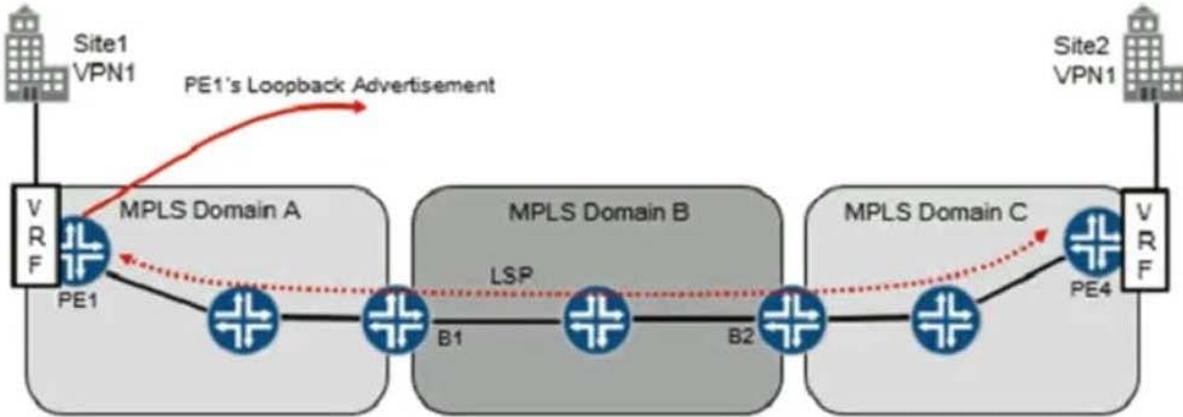
Following Questions and Answers are all new published by Juniper  
Official Exam Center

- ⚙️ **Instant Download** After Purchase
- ⚙️ **100% Money Back** Guarantee
- ⚙️ **365 Days** Free Update
- ⚙️ **800,000+** Satisfied Customers



**QUESTION 1**

Click the Exhibit button Referring to the network design shown in the exhibit, you must ensure that VPN data between Site1 and Site2 will be earned over a single end-to-end LSP. How would you advertise PE1's loopback address to accomplish this task?



- A. over a single MP-IBGP session (L3VPN NLRI) between PE1/PE4
- B. over BGP-LU sessions between the PE1/B1. B1/B2 and B2/PE4
- C. over a single IBGP session (IPv4 unicast NLRI) between PE VPE4
- D. over a single EBGP session (IPv4 unicast NLRI) between PE1/PE4

Correct Answer: B

**QUESTION 2**

You are designing an EVPN data center solution with VXLAN. Which two statements are true in this scenario? (Choose two )

- A. The original MAC address is prepended to a VXLAN VNI.
- B. The original MAC address is replaced by a VXLAN VNI.
- C. The original MAC address is encapsulated within the VXLAN frame.
- D. The original MAC address is advertised to remote PEs.

Correct Answer: CD

**QUESTION 3**

You are asked to improve the convergence time in your large enterprise WAN Each branch office network

is multihomed to two central aggregation points using BGP.

Which action would satisfy the requirement?

- A. Provision more WAN bandwidth.
- B. Increase interface hold timers.
- C. Decrease interface hold timers.
- D. Use Bidirectional Forwarding Detection.

Correct Answer: D

---

#### QUESTION 4

Your customer requires redundant routers and wants to use VRRP for the default gateway at their Internet edge. Which two statements are correct in this scenario? (Choose two )

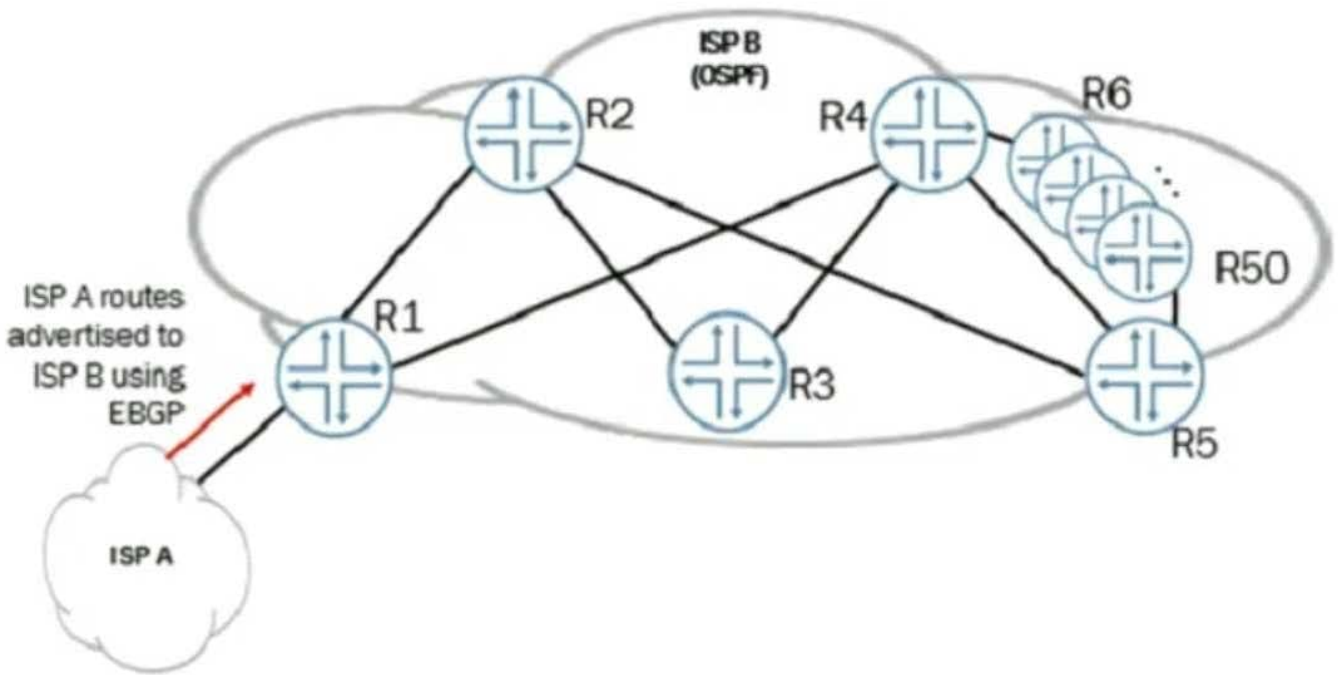
- A. VRRP will only support two routers
- B. The VRRP master and backup send advertisements to each other at regular intervals.
- C. VRRP dynamically elects master and backup routers
- D. VRRP for IPv6 provides a much faster switchover to an alternate default router than IPv6 neighbor discovery procedures

Correct Answer: BC

---

#### QUESTION 5

Exhibit: Which routing protocol design will accomplish these goals?



- A. Enable a full mesh of IBGP sessions between the routers in ISP B.
- B. Redistribute the BGP routes learned from ISP A into the OSPF instance running in ISP B.
- C. Configure static routes to ISP A on each router within ISP B.
- D. Configure each router in ISP B to peer with a pair of route reflectors.

Correct Answer: D

[JN0-1361 PDF Dumps](#)

[JN0-1361 Study Guide](#)

[JN0-1361 Brindumps](#)