

# JN0-363<sup>Q&As</sup>

Service Provider Routing and Switching Specialist (JNCIS-SP)

## Pass Juniper JN0-363 Exam with 100% Guarantee

Free Download Real Questions & Answers **PDF** and **VCE** file from:

<https://www.pass2lead.com/jn0-363.html>

100% Passing Guarantee  
100% Money Back Assurance

Following Questions and Answers are all new published by Juniper  
Official Exam Center

- ⚙️ **Instant Download** After Purchase
- ⚙️ **100% Money Back** Guarantee
- ⚙️ **365 Days** Free Update
- ⚙️ **800,000+** Satisfied Customers



**QUESTION 1**

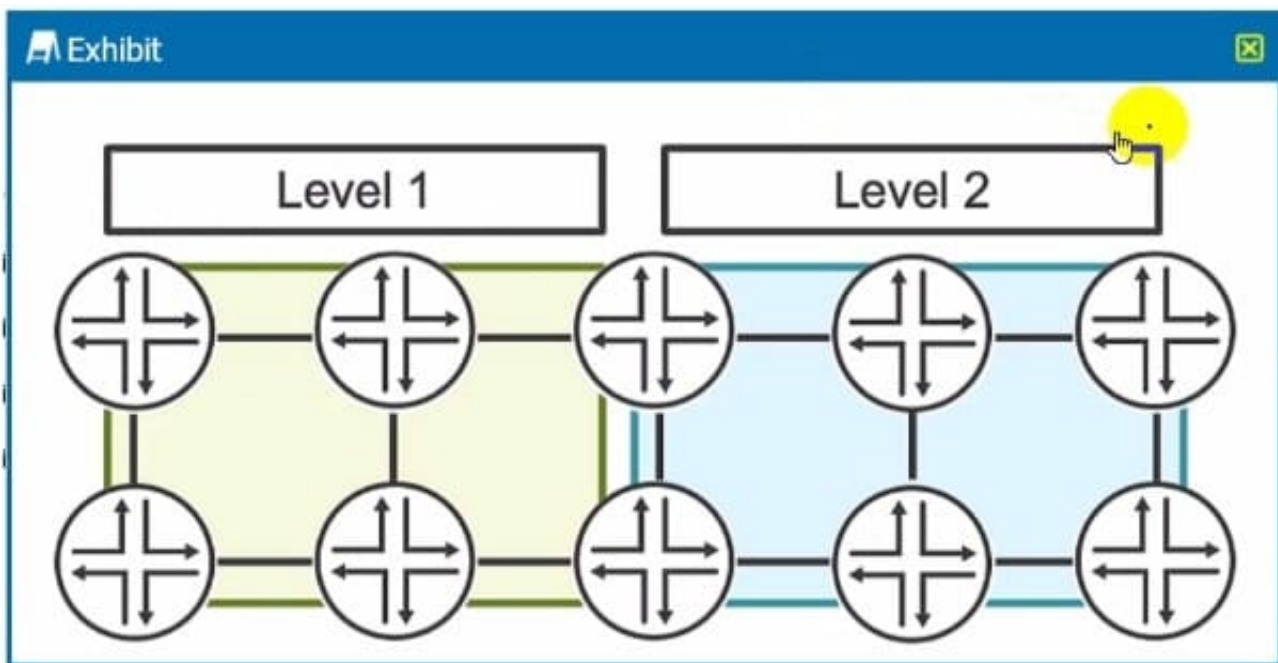
Which two statements are correct about the BGP next-hop attribute value? (Choose two.)

- A. By default, the next-hop value is changed across IBGP links.
- B. By default, the next-hop value is changed across EBGP links.
- C. By default, the next-hop value is not changed across IBGP links.
- D. By default, the next-hop value is not changed across EBGP links.

Correct Answer: A

**QUESTION 2**

Exhibit



Referring to the exhibit, which two statements are correct? (Choose two.)

- A. Prefixes in Level 1 will be redistributed to Level 2.
- B. Prefixes in Level 2 will be not redistributed to Level 1.
- C. Prefixes in Level 2 will be redistributed to Level 1.
- D. Prefixes in Level 1 will not be redistributed to Level 2.

Correct Answer: C

**QUESTION 3**

You are asked to configure an LSP which uses the OSPF link state database for path computations. Which two statements are correct in this scenario? (Choose two.)

- A. You must use the no-cspf parameter in the label-switched-path configuration.
- B. Traffic engineering extensions are enabled by default in OSPF.
- C. Traffic engineering extensions are not enabled by default in OSPF.
- D. You must use the policing parameter in the label-switched-path configuration.

Correct Answer: AC

---

**QUESTION 4**

Which two interface types are used as tunnel endpoints? (Choose two.)

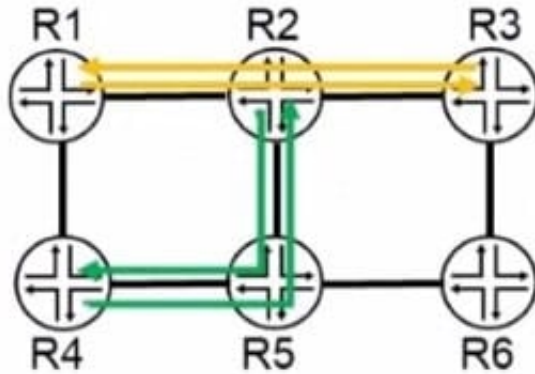
- A. ae
- B. ip
- C. ge
- D. gr



Correct Answer: BC

---

**QUESTION 5**

Exhibit The exhibit shows a topology with 1 Gbps interfaces between routers, and four RSVP LSPs operating with the respective bandwidth reservations. Which path will be selected for a new LSP from R4 to R6 with a bandwidth reservation of 400 Mbps?



-  RVSP LSP with 300 Mbps reserved
-  RVSP LSP with 700 Mbps reserved

- A. R4 -> R1 -> R2 -> R5 -> R6
- B. R4 -> R5 -> R6
- C. R4 -> R5 -> R2 -> R3 -> R6
- D. R4 -> R1 -> R2 -> R3 -> R6

Correct Answer: A

[JN0-363 PDF Dumps](#)

[JN0-363 Practice Test](#)

[JN0-363 Exam Questions](#)