

JN0-649^{Q&As}

Enterprise Routing and Switching Professional (JNCIP-ENT)

Pass Juniper JN0-649 Exam with 100% Guarantee

Free Download Real Questions & Answers **PDF** and **VCE** file from:

<https://www.pass2lead.com/jn0-649.html>

100% Passing Guarantee
100% Money Back Assurance

Following Questions and Answers are all new published by Juniper
Official Exam Center

- ⚙️ **Instant Download** After Purchase
- ⚙️ **100% Money Back** Guarantee
- ⚙️ **365 Days** Free Update
- ⚙️ **800,000+** Satisfied Customers



QUESTION 1

Referring to the exhibit, which two statements are correct? (Choose two.)

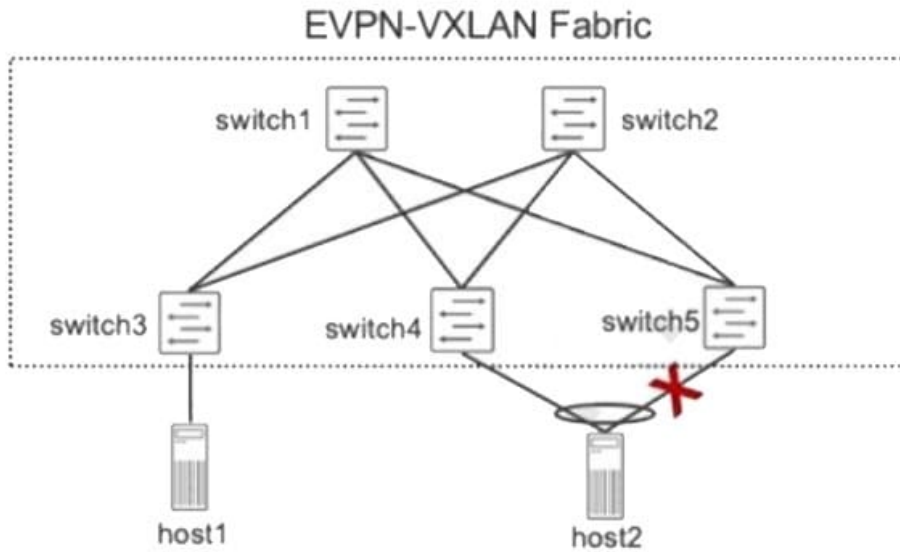
```
user@leaf> show route table default-switch.evpn.0 detail
...
2:192.168.100.13:1::5010::00:0c:29:08:04:a0/304 MAC/IP (2 entries, 1 announced)
  *BGP      Preference: 170/-101
            Route Distinguisher: 192.168.100.13:1
            Next hop type: Indirect, Next hop index: 0
            Address: 0xcd690bc
            Next-hop reference count: 12
            Source: 192.168.100.1
            Protocol next hop: 192.168.100.13
            Indirect next hop: 0x2 no-forward INH Session ID: 0x0
            State: <Secondary Active Int Ext>
            Local AS: 65000 Peer AS: 65000
            Age: 8:17      Metric2: 0
            Validation State: unverified
            Task: BGP_65000.192.168.100.1
            Announcement bits (1): 0-default-switch-evpn
            AS path: I (Originator)
            Cluster list: 1.1.1.1
            Originator ID: 192.168.100.13
            Communities: target:65000:5010 encapsulation:vxlan(0x8)
            Import Accepted
            Route Label: 5010
            ESI: 00:00:00:00:00:00:00:00:00:00
            Localpref: 100
            Router ID: 192.168.100.1
            Primary Routing Table: bgp.evpn.0
            Thread: junos-main
```

- A. The host that the route is associated with is multihomed to two leaf nodes.
- B. The route is a Type 1 EVPN route.
- C. The route is a Type 2 EVPN route.
- D. The host that the route is associated with is single-homed to one leaf node.

Correct Answer: CD

QUESTION 2

Referring to the exhibit, which statement is correct when a failure exists on the link between host2 and switch5 on this EVPN-VXLAN fabric?



- A. The switch5 device will send a Type 2 route to all peers.
- B. The switch5 device will send a Type 4 route to all peers.
- C. The switch5 device will send a Type 1 route to all peers.
- D. The switch5 device will send a Type 3 route to all peers.

Correct Answer: D

QUESTION 3

Referring to the exhibit, which two statements are correct? (Choose two.)

```
(master:0)[edit protocols mstp]
user@DS-1# show
configuration-name Region-1;
revision-level 1;
interface ge-0/0/8;
interface ge-0/0/9;
interface ge-0/0/10;
interface ge-0/0/12;
msti 1 {
    bridge-priority 4k;
    vlan 10-19;
}
msti 2 {
    bridge-priority 8k;
    vlan 20-29;
}
(master:0)[edit protocols mstp]
user@DS-2# show
configuration-name Region-1;
revision-level 1;
interface ge-0/0/8;
interface ge-0/0/9;
interface ge-0/0/10;
interface ge-0/0/12;
msti 1 {
    bridge-priority 8k;
    vlan 10-19;
}
```

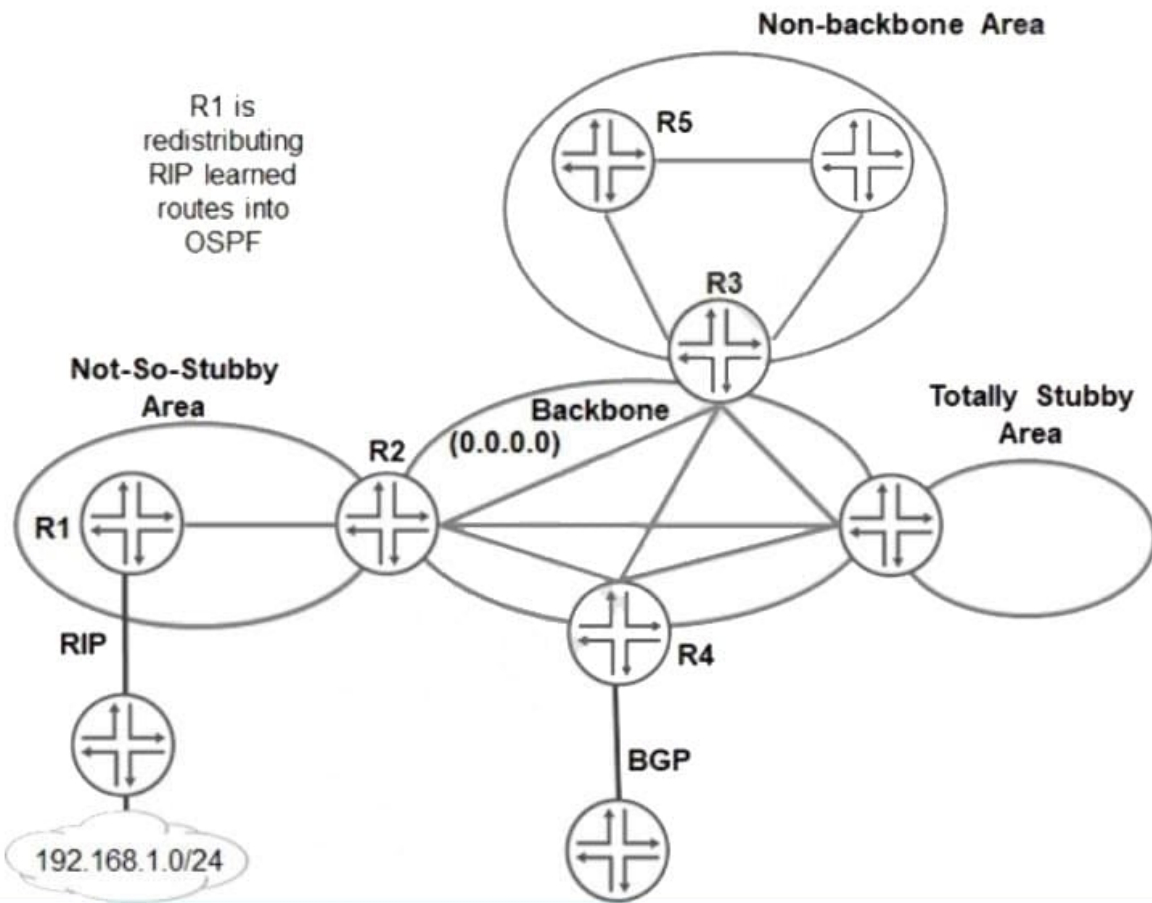
- A. The DS-2 switch will be root bridge for MSTI 2.
- B. The DS-1 switch will be root bridge for MSTI 1.
- C. The DS-1 switch will be root bridge for MSTI 2.
- D. The DS-2 switch will be root bridge for MSTI 1.

Correct Answer: CD

Bridge priority is to determine which bridge becomes the designated bridge.

QUESTION 4

Referring to the exhibit, which LSA type is used to advertise 192.168.1.0/24 to R5?



- A. Type 5
- B. Type 4
- C. Type 3
- D. Type 7

Correct Answer: A

Area-1 has no external connections. However, Area-1 has static route (172.16.31.0/24) that are not internal OSPF route. You can limit the external route advertisements to the area and advertise the static routes by designating the area an NSSA. In an NSSA, the ASBR (vMX1) generates NSSA external (Type 7) LSAs and floods them into the NSSA, where they are contained.

Type-7 LSAs allow an NSSA to support the presence of ASBR and their corresponding external routing information. The ABR (vMX2) converts Type-7 LSAs into Type-5 External LSAs and leaks them to the other areas, but external routes from other areas are not advertised within the NSSA.

An admin should check this and change it

<https://www.packetswitch.co.uk/configuring-junos-ospf-stub-and-nssa-areas/>
<https://www.juniper.net/documentation/us/en/software/junos/ospf/topics/ref/statement/nssa-edit-protocols-ospf.html>

QUESTION 5

You are asked to configure 802.1X on your access ports to allow only a single device to authenticate. In this scenario, which configuration would you use?

- A. single supplicant mode
- B. multiple supplicant mode
- C. single-secure supplicant mode
- D. MAC authentication mode

Correct Answer: C

Single supplicant mode authenticates only the first end device that connects to an authenticator port. All other end devices connecting to the authenticator port after the first has connected successfully, whether they are 802.1X-enabled or not, are permitted access to the port without further authentication. If the first authenticated end device logs out, all other end devices are locked out until an end device authenticates. Single-secure supplicant mode authenticates only one end device to connect to an authenticator port. No other end device can connect to the authenticator port until the first logs out.

[JN0-649 Study Guide](#)

[JN0-649 Exam Questions](#)

[JN0-649 Braindumps](#)