

JN0-681^{Q&As}

New Data Center, Professional

Pass Juniper JN0-681 Exam with 100% Guarantee

Free Download Real Questions & Answers **PDF** and **VCE** file from:

<https://www.pass2lead.com/jn0-681.html>

100% Passing Guarantee
100% Money Back Assurance

Following Questions and Answers are all new published by Juniper
Official Exam Center

- ⚙️ **Instant Download** After Purchase
- ⚙️ **100% Money Back** Guarantee
- ⚙️ **365 Days** Free Update
- ⚙️ **800,000+** Satisfied Customers



QUESTION 1

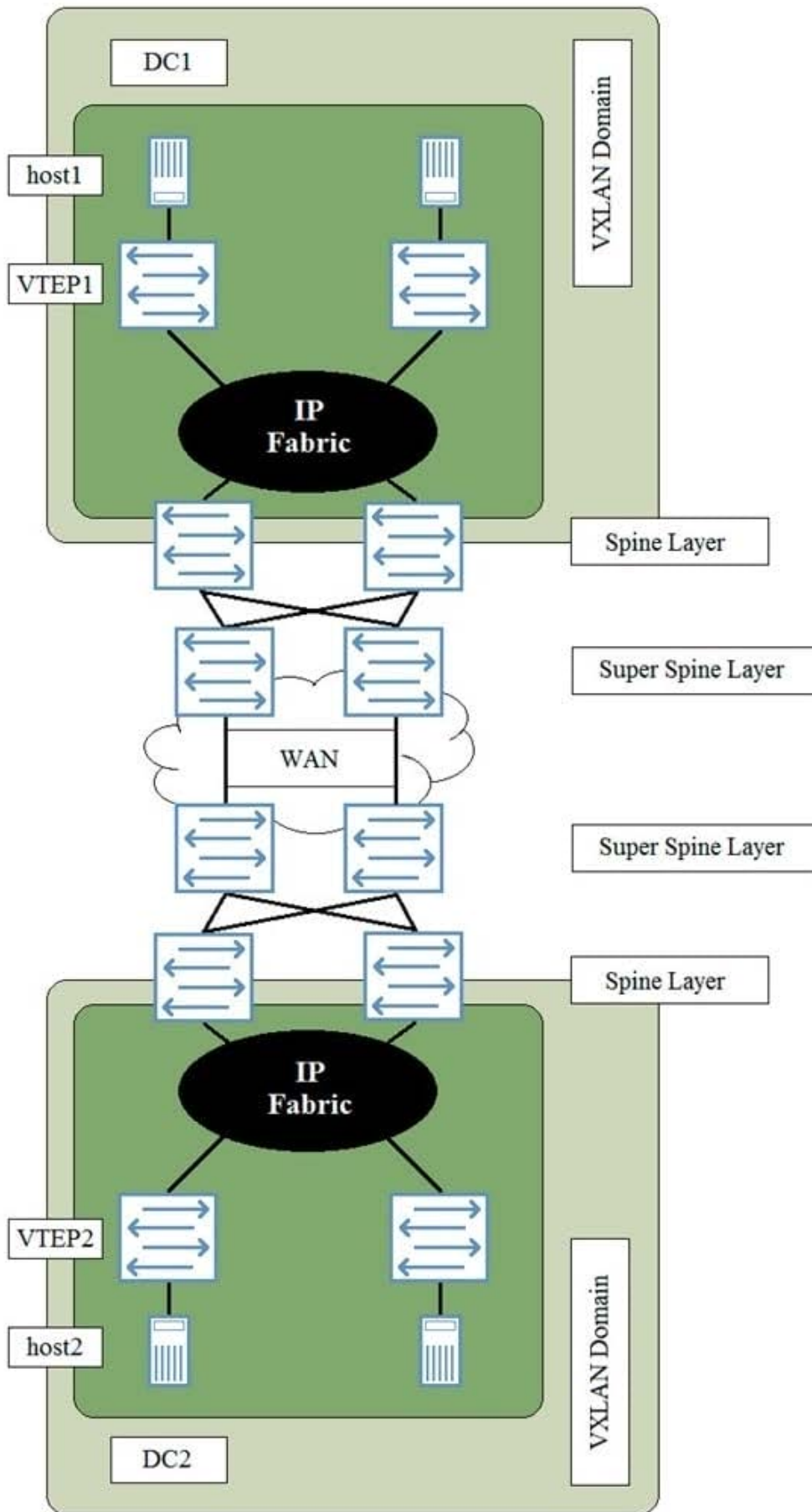
Which EVPN route type would be used in a DCI situation in which the IP subnets between data centers are completely unique?

- A. Type 2
- B. Type 3
- C. Type 4
- D. Type 5

Correct Answer: D

QUESTION 2

You have deployed two data centers that require a Layer 2 stretch between host1 and host2.



Referring to the exhibit, what does a Layer 2 stretch require?

- A. a VXLAN tunnel originating on the Super Spine Layer in DC1 to the Super Spine Layer in DC2.
- B. a VXLAN tunnel originating on VTEP1 to VTEP2.
- C. a VXLAN tunnel originating on the Spine Layer in DC1 to the Spine Layer in DC2.
- D. a VPLS WAN connection between data centers.

Correct Answer: B

QUESTION 3

What happens when a packet is encapsulated by a VXLAN before being placed in the overlay?

- A. The QoS markings are placed in the VXLAN header.
- B. The VLAN-ID is placed in the VXLAN header.
- C. A VNI that maps to the VLAN-ID is placed in the VXLAN header.
- D. The TTL is decremented by two and placed in the VXLAN header.

Correct Answer: C

QUESTION 4

You are implementing perimeter security for your data center. You need to inspect all traffic at Layer 7 and ensure the failure of a port or device will not result in an interruption to traffic flows.

In this scenario, which design would satisfy these requirements?

- A. SRX using LAG
- B. MX with MC-LAG
- C. QFX Virtual Chassis
- D. SRX chassis cluster

Correct Answer: D

QUESTION 5

What are three functions supported by the Contrail Command user interface? (Choose three.)

- A. enabling VM-to-BMS bridging
- B. onboarding of an IP Fabric

C. configuring management domains

D. integrated syslog collector

E. creating virtual networks

Correct Answer: CDE

[JN0-681 VCE Dumps](#)

[JN0-681 Study Guide](#)

[JN0-681 Exam Questions](#)