

JN0-682^{Q&As}

Data Center Professional (JNCIP-DC)

Pass Juniper JN0-682 Exam with 100% Guarantee

Free Download Real Questions & Answers **PDF** and **VCE** file from:

<https://www.pass2lead.com/jn0-682.html>

100% Passing Guarantee
100% Money Back Assurance

Following Questions and Answers are all new published by Juniper
Official Exam Center

- ⚙️ **Instant Download** After Purchase
- ⚙️ **100% Money Back** Guarantee
- ⚙️ **365 Days** Free Update
- ⚙️ **800,000+** Satisfied Customers



QUESTION 1

Which EVPN router type prevents BUM traffic from looping back to a multihomed host?

- A. Ethernet segment router
- B. IP prefix route
- C. Ether auto discovery route
- D. Inclusive multicast-Ethernet tag route

Correct Answer: C

QUESTION 2

Which two statements describe a VXLAN network identifier (VNI)? (Choose Two)

- A. A VNI identifies the inner MAC frame.
- B. A VNI identifies a VXLAN segment ID.
- C. A VNI allows only 512 VLANs.
- D. A VNI validates the remote VTEP.

Correct Answer: BD

QUESTION 3

Which two statements about the seamless EVPN-VXLAN stitching interconnect gateways are correct? (Choose two.)

- A. IBGP is recommended for VXLAN stitching overlays.
- B. Interconnect gateways will rewrite the route target, route distinguisher, and ESI values for each stretched virtual network.
- C. All EVPN routes types are forwarded among interconnect gateways in a full-mesh manner.
- D. The interconnect gateway can reside on the super spine layer of a multi-POD data center.

Correct Answer: CD

QUESTION 4

You are evaluating which method to use for learning MAC addresses in your VXLAN network. Which statement is true in this scenario?

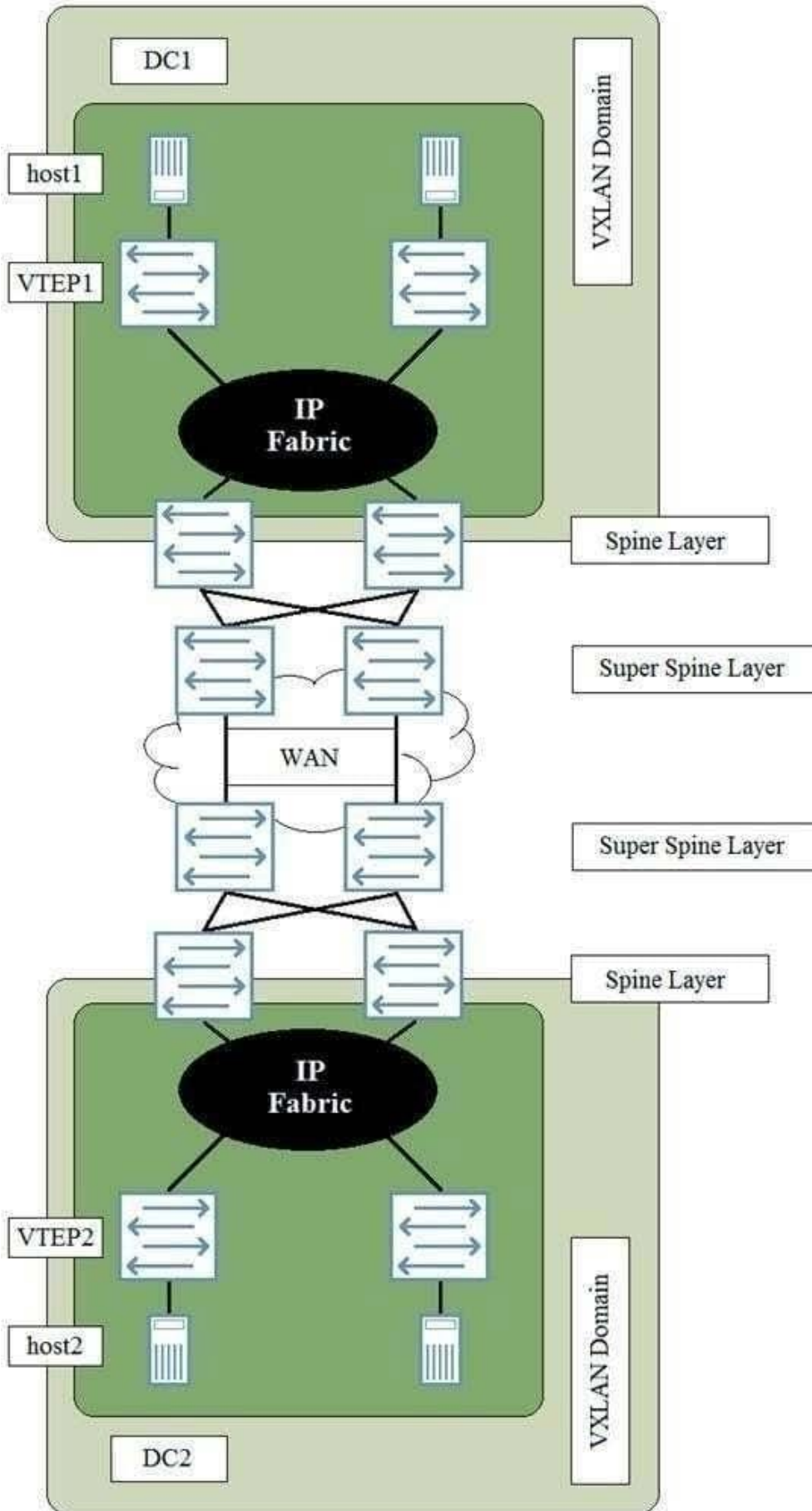
- A. Multicast exchanges MAC addresses through data plane learning and is more reliable than EVPN.

- B. EVPN exchanges MAC addresses through control plane learning and is more reliable than multicast.
- C. EVPN exchanges MAC addresses through data plane learning and is more reliable than multicast.
- D. Multicast exchanges MAC addresses through control plane learning and is not more reliable than EVPN.

Correct Answer: B

QUESTION 5

You have deployed two data centers that require a Layer 2 stretch between host1 and host2.



Referring to the exhibit, what does a Layer 2 stretch require?

- A. A VPLS WAN connection data centers
- B. A VXLAN tunnel originating on VTEP1 to VTEP2
- C. A VXLAN tunnel originating on the super Spine Layer in DC1 to the Super Spine Layer in DC2
- D. A VXLAN tunnel originating on the Spine Layer in DC1 to the Spine Layer in DC2.

Correct Answer: B

[JN0-682 PDF Dumps](#)

[JN0-682 Study Guide](#)

[JN0-682 Exam Questions](#)