

NS0-183^{Q&As}

NetApp Certified Storage Installation Engineer, ONTAP

Pass NetApp NS0-183 Exam with 100% Guarantee

Free Download Real Questions & Answers **PDF** and **VCE** file from:

<https://www.pass2lead.com/ns0-183.html>

100% Passing Guarantee
100% Money Back Assurance

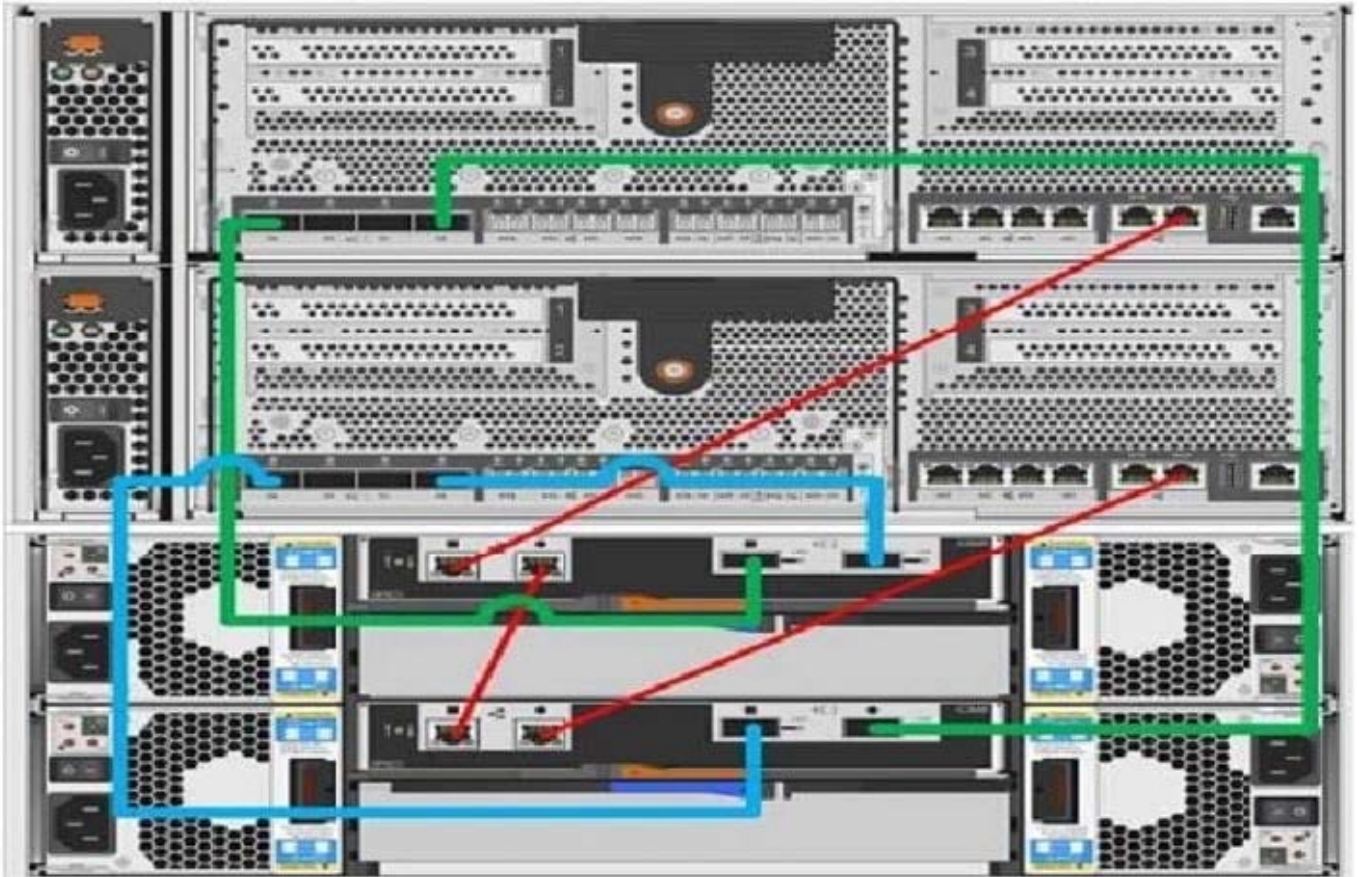
Following Questions and Answers are all new published by NetApp
Official Exam Center

- ⚙️ **Instant Download** After Purchase
- ⚙️ **100% Money Back** Guarantee
- ⚙️ **365 Days** Free Update
- ⚙️ **800,000+** Satisfied Customers



QUESTION 1

Click the Exhibit button.



You are adding new DS224C shelves in a new stack to your cluster with FAS8060 controllers running ONTAP 9.7.

Referring to the exhibit, which two actions should be performed to the cluster before installing the new shelves? (Choose two.)

- A. Move the SAS cables to a new stack.
- B. Enable in-band ACP.
- C. Remove the Ethernet cables.
- D. Disable out-of-band ACP.

Correct Answer: AD

QUESTION 2

You are adding new controllers to an existing cluster. As part of the upgrade process, you have updated the BES-53248 cluster switches.

In this scenario. Which two commands would you use to verify a healthy cluster after the upgrade? (Choose two.)

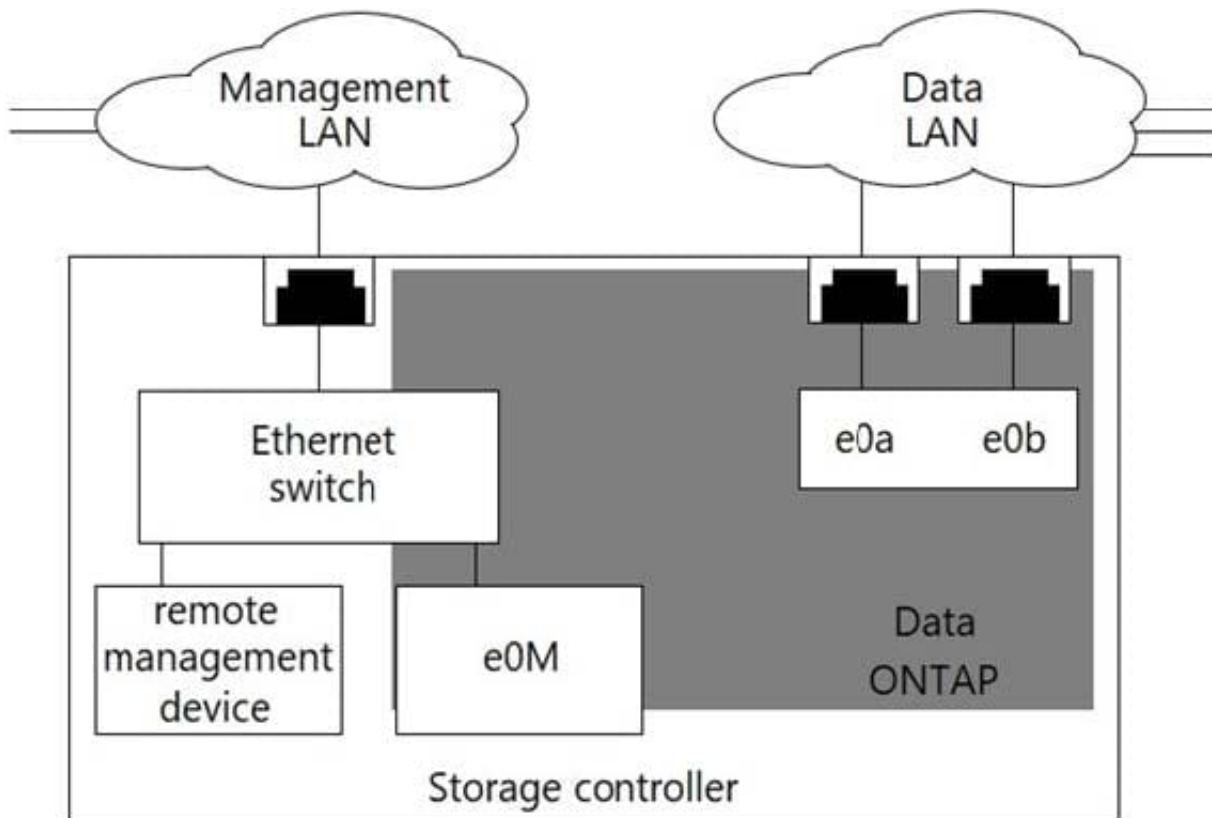
- A. network port show -ipspace Cluster
- B. network interface show -vserver Cluster
- C. network device-discovery show -protocol cdp
- D. network interface show -vserver Cluster -fields auto-revert

Correct Answer: AB

Reference: <https://docs.netapp.com/platstor/index.jsp?topic=%2Fcom.netapp.doc.hw-sw-ix8-setup%2FGUID-340F5F50-FFDA-4B5C-A151-007CF9D6063B.html>

QUESTION 3

Click the Exhibit button.



You are installing a new FAS cluster. The management network must be on tagged VLAN 11 for remote administration by a service provider.

Referring to the exhibit, which two ports will allow service provider access to both cluster and node management LIFs? (Choose two.)

- A. e0M
- B. e0b-11

C. e0a-11

D. e0M-11

Correct Answer: AD

QUESTION 4

After a system panic, the NetApp Support team advises you to run the sldiag command.

Which two actions must be performed before you use this command? (Choose two.)

A. At the LOADER prompt, type boot_maintenance.

B. At the storage system prompt, type halt.

C. At the LOADER prompt, type boot_diags.

D. At the storage system prompt, type boot_maintenance.

Correct Answer: BC

Reference: <https://docs.netapp.com/platstor/index.jsp?topic=%2Fcom.netapp.doc.hw-plat-diag%2FGUIDB944DDDB-FA1D-4306-8157-2DF02613CA39.html>

QUESTION 5

Click the Exhibit button.

```
Welcome to node setup.
```

```
You can enter the following commands at any time:
```

```
"help" or "?" - if you want to have a question clarified,
```

```
"back" - if you want to change previously answered questions, and
```

```
"exit" or "quit" - if you want to quit the setup wizard.
```

```
Any changes you made before quitting will be saved.
```

```
To accept a default or omit a question, do not enter a value.
```

```
Enter the node management interface port [e0c]:
```

You want to add a FAS2750 HA pair to an existing 6-node cluster.

Referring to the exhibit, which action would you perform to begin adding the node?

A. Use the back command to begin the Cluster Setup wizard.

B. Reboot the node and enter maintenance mode and run the Cluster Setup wizard.

C. Use the node setup wizard and select 0a as the management interface.

D. Use the exit or quit commands then run the cluster setup command.

Correct Answer: C

Reference: [http://docs.netapp.com/ontap-9/topic/com.netapp.doc.dot-cm-sag/System% 20administration.pdf](http://docs.netapp.com/ontap-9/topic/com.netapp.doc.dot-cm-sag/System%20administration.pdf) (35)

[Latest NS0-183 Dumps](#)

[NS0-183 Study Guide](#)

[NS0-183 Exam Questions](#)