

NS0-183^{Q&As}

NetApp Certified Storage Installation Engineer, ONTAP

Pass NetApp NS0-183 Exam with 100% Guarantee

Free Download Real Questions & Answers **PDF** and **VCE** file from:

<https://www.pass2lead.com/ns0-183.html>

100% Passing Guarantee
100% Money Back Assurance

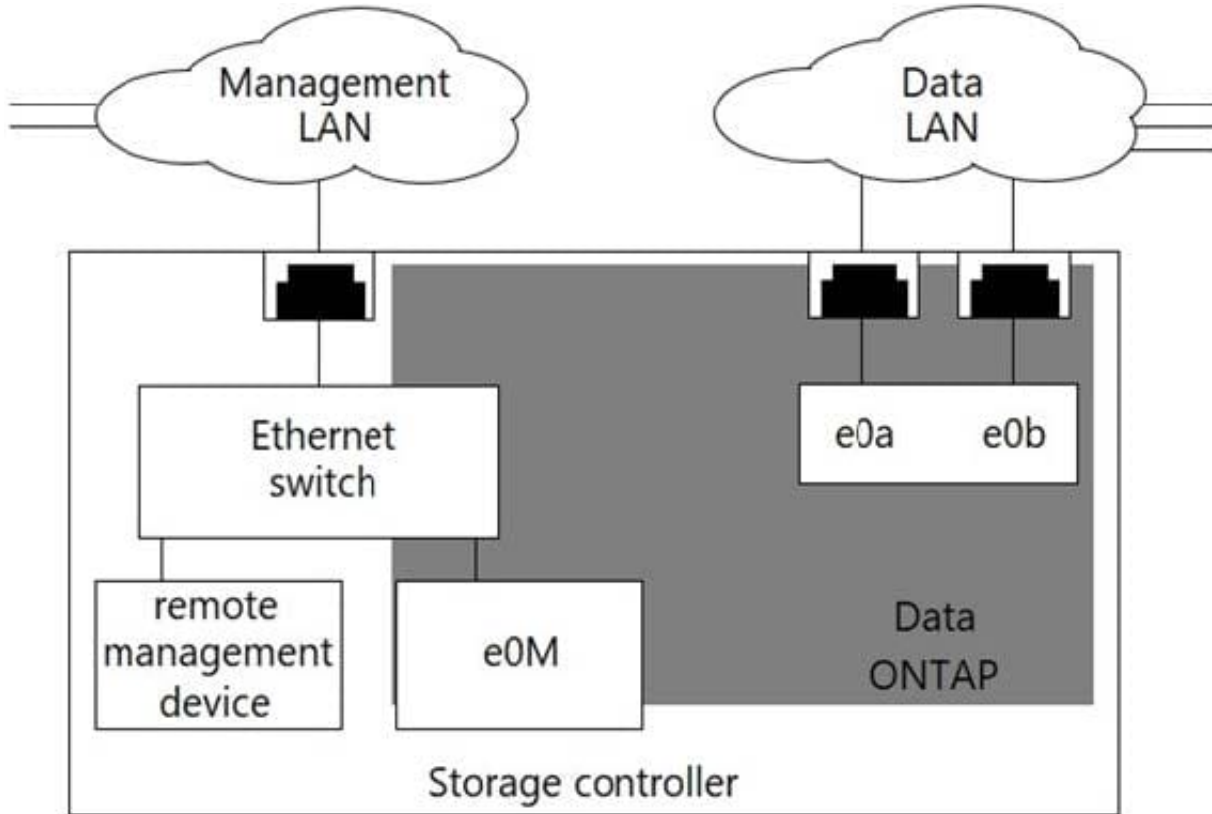
Following Questions and Answers are all new published by NetApp
Official Exam Center

- ⚙️ **Instant Download** After Purchase
- ⚙️ **100% Money Back** Guarantee
- ⚙️ **365 Days** Free Update
- ⚙️ **800,000+** Satisfied Customers



QUESTION 1

Click the Exhibit button.



You are installing a new FAS cluster. The management network must be on tagged VLAN 11 for remote administration by a service provider.

Referring to the exhibit, which two ports will allow service provider access to both cluster and node management LIFs? (Choose two.)

- A. e0M
- B. e0b-11
- C. e0a-11
- D. e0M-11

Correct Answer: AD

QUESTION 2

Click the Exhibit button.

Supported cables for X1144A						
Ethernet 10/40 Gbps (CU)		Ethernet 10/40 Gbps (CU)				
Mktg Part No	Mfg Part No	Images	Length	End 1	End 2	Description
<input type="checkbox"/> Copper Cables						
XQSFP-4SFP10G-CUSM	112-00603	-	5m	QSFP+	4xSFP+	Cable,Cu,QSFP+/4xSFP+,40GbE,
XQSFP-H40G-CU5M-R6	112-00605	-	5m	QSFP+	QSFP+	Cable,Cu,QSFP+/QSFP+,40GbE,;
X66100-5	112-00544	-	5m	QSFP+	QSFP+	Cable,Cu,40GbE,QSFP+/QSFP+,;
X66120-5	112-00546	-	5m	QSFP+	4xSFP+	Cable,Cu,40GbE,QSFP+/4xSFP+,;
X66120-3	112-00545	-	3m	QSFP+	4xSFP+	Cable,Cu,40GbE,QSFP+/4xSFP+,;
X66100-3	112-00543	-	3m	QSFP+	QSFP+	Cable,Cu,40GbE,QSFP+/QSFP+,;
XQSFP-H40G-CU3M-R6	112-00604	-	3m	QSFP+	QSFP+	Cable,Cu,QSFP+/QSFP+,40GbE,;
XQSFP-4SFP10G-CU3M	112-00602	-	3m	QSFP+	4xSFP+	Cable,Cu,QSFP+/4xSFP+,40GbE,
X66100-1	112-00542	-	1m	QSFP+	QSFP+	Cable,Cu,40GbE,QSFP+/QSFP+,;
XQSFP-H40G-CU1M-R6	112-00307	-	1m	QSFP+	QSFP+	Cable,Cu,QSFP+/QSFP+,40GbE,;

A customer has two Cisco 40GbE data switches. They want to connect the switches to an AFF A400 HA pair. The switches and the AFF A400 are approximately seven meters apart.

Referring to the exhibit, which two supported actions would allow you to accomplish this task? (Choose two.)

- A. Relocate the switches or the AFF A400 so that the distance is less than five meters.
- B. Install 10 meter NetApp supported copper cables.
- C. Change the requirement for Ethernet cables.
- D. Change the requirement for optical cables.

Correct Answer: BC

QUESTION 3

Click the Exhibit button.



You plan to install a new ONTAP cluster at a customer site by using the new ONTAP System Manager 9.7 GUI.

Referring to the exhibit, what must you do before you provision initial storage?

- A. Configure cluster LIFs.
- B. Configure protocols.
- C. Configure a remote tier.
- D. Configure aggregates.

Correct Answer: D

QUESTION 4

While testing a recently installed FAS8700 cluster, a node fails. You now need to replace the impaired node.

In this scenario, which two statements are true? (Choose two.)

- A. You must move the boot device from the impaired node to the replacement node.
- B. The boot device must remain intact and must not be removed from the impaired node.
- C. You can change any drives or disk shelves as part of this replacement procedure.
- D. A controller model of the same type must be used to replace the impaired node.

Correct Answer: AD

Reference: https://library.netapp.com/ecm/ecm_download_file/ECMP1147156 (2)

QUESTION 5

You need to install a cluster with a FAS2720 HA pair and a FAS8300 HA pair.

Which NetApp tool will verify which cluster interconnect switches support this configuration?

- A. Active IQ Config Advisor
- B. Interoperability Matrix Tool (IMT)
- C. Hardware Universe (HWU)
- D. mysupport.netapp.com site

Correct Answer: C

Reference: <https://www.netapp.com/media/12424-tr4036.pdf>

[NS0-183 PDF Dumps](#)

[NS0-183 Practice Test](#)

[NS0-183 Exam Questions](#)