

NS0-184^{Q&As}

NetApp Certified Storage Installation Engineer, ONTAP

Pass NetApp NS0-184 Exam with 100% Guarantee

Free Download Real Questions & Answers **PDF** and **VCE** file from:

<https://www.pass2lead.com/ns0-184.html>

100% Passing Guarantee
100% Money Back Assurance

Following Questions and Answers are all new published by NetApp
Official Exam Center

- ⚙️ **Instant Download** After Purchase
- ⚙️ **100% Money Back** Guarantee
- ⚙️ **365 Days** Free Update
- ⚙️ **800,000+** Satisfied Customers



QUESTION 1

When you install a new ONTAP 9.7 4-node cluster, which network type is required?

- A. data network
- B. peering network
- C. cluster interconnect
- D. intercluster network

Correct Answer: C

Reference: <https://docs.netapp.com/ontap-9/topic/com.netapp.doc.dot-cm-nmg/Network%20and%20LIF%20management.pdf>

QUESTION 2

Click the Exhibit button.

```
Welcome to node setup.
```

```
You can enter the following commands at any time:  
"help" or "?" - if you want to have a question clarified,  
"back" - if you want to change previously answered questions, and  
"exit" or "quit" - if you want to quit the setup wizard.  
Any changes you made before quitting will be saved.
```

```
To accept a default or omit a question, do not enter a value.
```

```
Enter the node management interface port [e0c]:
```

You want to add a FAS2750 HA pair to an existing 6-node cluster.

Referring to the exhibit, which action would you perform to begin adding the node?

- A. Use the back command to begin the Cluster Setup wizard.
- B. Reboot the node and enter maintenance mode and run the Cluster Setup wizard.
- C. Use the node setup wizard and select 0a as the management interface.
- D. Use the exit or quit commands then run the cluster setup command.

Correct Answer: C

Reference: <http://docs.netapp.com/ontap-9/topic/com.netapp.doc.dot-cm-sag/System%20administration.pdf> (35)

QUESTION 3

You have installed a new 2-node FAS9000 cluster with two external shelves. You want to make sure that each node has two paths to each disk in the shelves.

How do you verify your configuration?

- A. Use the storage show disk -p command.
- B. Use the storage disk option show command.
- C. Use the disk show -fields initiator command.
- D. Use the sysconfig command.

Correct Answer: C

QUESTION 4

Click the Exhibit button.

```
Mar 18, 2020 07:35:35 CDT HA Group Notification (CLUSTER NETWORK DEGRADED) ALERT
Mar 19, 2020 22:04:20 CDT HA Group Notification (Health Monitor process cshm:
SwitchIfInErrorsWarn_Alert[NODE_NAME-sw1(SWITCH_SERIAL_NUMBER)/Ethernet1/8]) ALERT
Mar 12, 2020 20:58:38 CDT HA Group Notification (Health Monitor process cshm:
SwitchIfInErrorsWarn_Alert[NODE_NAME-sw1(SWITCH_SERIAL_NUMBER)/Ethernet1/8]) ALERT
```

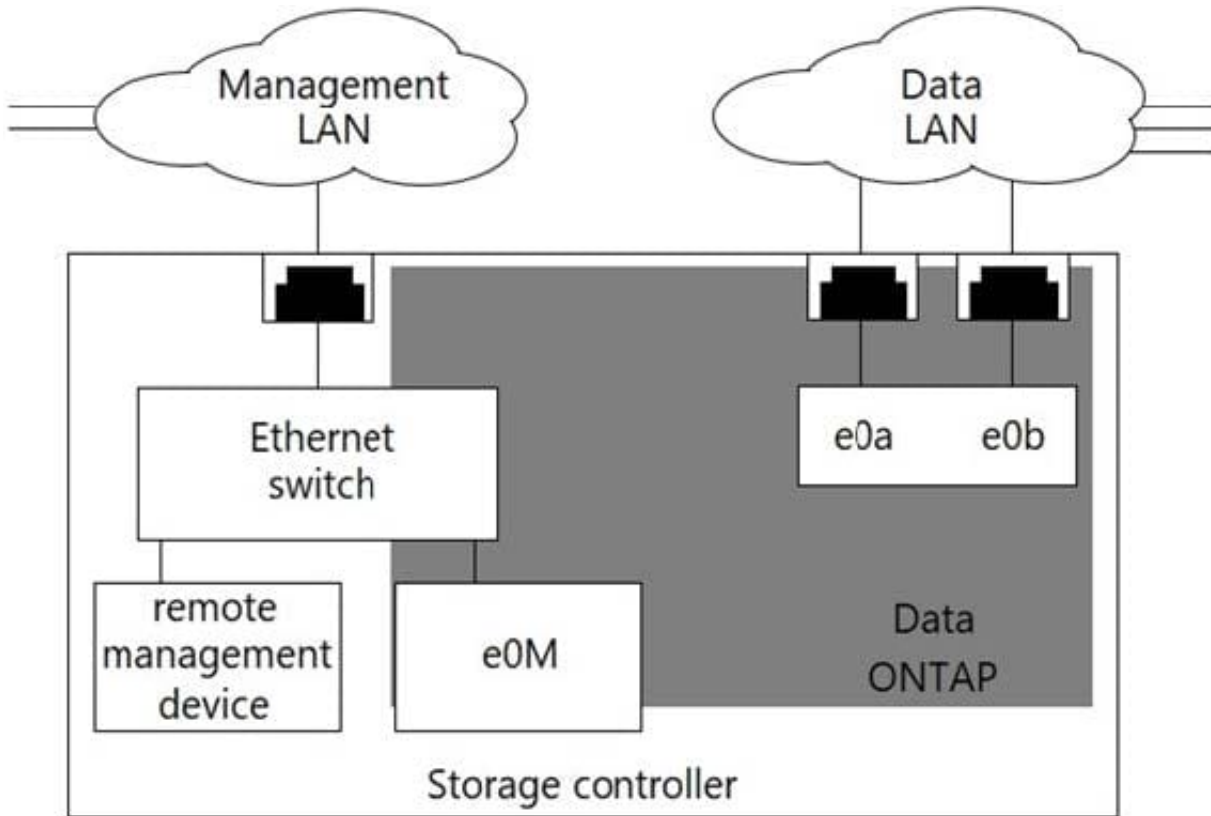
Your ONTAP cluster shows the cluster network errors that are shown in the event log. What is used by ONTAP software to log the errors that are shown in the exhibit?

- A. SNMP
- B. AutoSupport
- C. BGP
- D. EMS

Correct Answer: D

QUESTION 5

Click the Exhibit button.



You are installing a new FAS cluster. The management network must be on tagged VLAN 11 for remote administration by a service provider.

Referring to the exhibit, which two ports will allow service provider access to both cluster and node management LIFs? (Choose two.)

- A. e0M
- B. e0b-11
- C. e0a-11
- D. e0M-11

Correct Answer: AD

[NS0-184 Practice Test](#)

[NS0-184 Exam Questions](#)

[NS0-184 Braindumps](#)